

# RECARO

## SITTING SAFELY TO WIN SAFELY

The RECARO racing seats for motorsport







# DRIVERS, TAKE YOUR SEATS!



Wilhelm Reutter founded his body shop in 1906. Ever since, we've been obsessed with custom mobility, and Reutter's passion lives on in the first two letters of our brand as well as in everything we do. We're all about making driving safer, more comfortable and more controlled – a driving experience that you can really *feel*. We put people first. Every time. We're equally obsessed with motorsport. Whatever record you broke yesterday, you aspire to beat it today. That's why we're constantly looking for ways to help you shave a little time off your next lap – safely. Winning is one thing. But to be a champion, you need to keep learning and developing.

Our seats are more than just a set of components. They're made of innovation, quality, premium materials, craftsmanship and a serious passion for cars. From the ultimate in comfort and ergonomics to uncompromising sporting flair, our products are as diverse and exacting as the individuals who buy them. And always of the quality you expect from RECARO. Choose cutting-edge performance that puts you in the driving seat.

With a RECARO racing shell, you have in any case secured the pole position and a place on the podium in terms of seating. We wish you safe races and top successes at all times!



**SIMPLY THE BEST. SINCE 1995.**

Since 1995, we have regularly been honored in the readers' polls of the best-known automotive magazines. And more than successfully! RECARO is the number one seat brand among readers. Thank you for your trust!

\* Since 1995, RECARO has been named best seat brand 72 times, including 5 times in 2023. Thank you!



# FORGING INNOVATION SINCE 1906.

For over 115 years, our products have combined innovation, quality and craftsmanship. Every detail counts, right down to the last millimeter.



**reCARO**

Founded in 1963, the new "car seating company" emerged under the name RECARO, a play on words combining REutter and CAROsserie, the old German word for car body.



RECARO has been setting new standards for over 60 years. Our roots go way back to the Stuttgarter Carosserie- u. Radfabrik founded in 1906 by master saddler Wilhelm Reutter. The company developed and produced car bodies for all major manufacturers, including the interior fittings, so seat specialization was the next logical step. In 1963, REutter CAROsserie became seat specialist RECARO.

The RECARO seats of tomorrow will take the unique RECARO driving experience to a new level on both the road and the race track.

**Evolution and revolution – RECARO'S milestone developments in safety, comfort and lightweight engineering: 1967 the first shell seat; 1974 – the first shell seat with an adjustable backrest; 1979 – the first Kevlar® super lightweight racing shell seat (less than 3 kg); 1995 – a world first: the first racing shell with head protection; 2002 – the first shell seat designed for the HANS driver protection system, and finally ... the first road-legal racing shell: The RECARO podium is the lightest retrofit seat with ABE in the world.**

In 1965, RECARO unveiled its "sports seat," the very first of its kind. The automotive seating revolution had begun! Just two years later, the RECARO rallye became the first road-legal shell seat. The success story continued with countless pioneering milestones in comfort, safety and lightweight construction.

Innovation is second nature to us, and RECARO Automotive dominates the car seating industry to this day. What's more, we're already shaping its future.

In 1965, RECARO unveiled its *sports seat* at the International Motor Show in Frankfurt, revolutionizing car seating. In 1967, we launched our first shell seat, followed by the RECARO *racing seat* in 1974 – the first thoroughbred for professional touring car competitions. Both were defined by body-hugging seat shells, built to RECARO's peerless standards in safety and lightweight construction.





1906

Master saddler Wilhelm Reutter starts the development and production of car bodies, interior fittings and vehicle seats for automobiles, both in custom production and small batches, at his "Stuttgarter Carrosserie- u. Radfabrik" body plant.



1920s/1930s

The company produces car bodies and interior fittings for all major car manufacturers. Precursors and prototypes of the Volkswagen (later Beetle) are also manufactured by Reutter on behalf of the Porsche design studio.



1950s

Car bodies, interior fittings and seats for the Porsche 356 go into production at Reutter in Stuttgart. By 1965, Reutter has built around 60,000 vehicles. Development and subsequent production of reclining seat mechanisms begins.



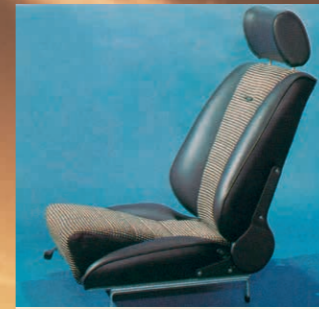
1965

Launch of the RECARO **sports seat**. The world's first retrofit seat for automobiles is characterized by its revolutionary foam upholstery and distinctive side bolsters.



1967

The "RECARO **shell seat**" is RECARO's first road-legal full shell seat. It sets standards for safety, lightweight construction and comfort with its body-hugging seat shell, adjustment options and foam upholstery.



1969

The previous RECARO sports seat is renamed the "RECARO **Idealsitz**." At the same time, RECARO introduces a new trademark, which has remained unchanged to this day.



1971

A world first: RECARO unveils the first vehicle seat with an **integrated seat belt** – the RECARO safety seat.



1973

RECARO is the first manufacturer to offer the **anti-submarining** seat upholstery guide, which prevents the occupant from slipping under the belt in the event of an accident. Also making its car seat premiere is RECARO's **extendable seat cushion**, an added comfort feature for tall drivers.



1974

For the world elite in touring car motorsport, RECARO launches its first **racing seat** with a super sturdy double shell made of the fiber-reinforced composite Kevlar – for top-level safety and low weight (6.5 kg).



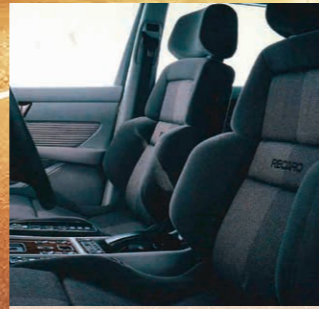
1977

The new RECARO Airmatic® pneumatic **lumbar support**, **adjustable side bolsters** on the seat cushion and backrest and RECARO's first **electrically adjustable backrest** significantly improve adaptability to individual requirements.



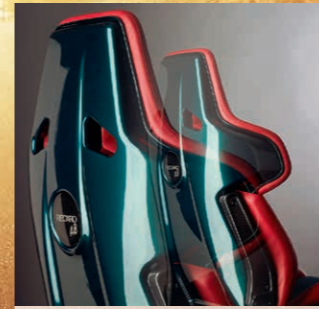
1977

Acoustic comfort. Under the name RECAROfonie, the company launches a seat with **stereo loudspeakers** integrated into the headrest.



1984

A seat that remembers. The RECARO CSE comfort seat is the first to have a **memory function**.



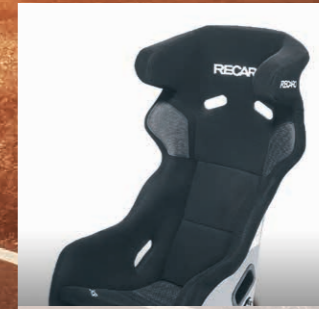
1989

Innovation in novel materials: The RECARO A8 sports seat comes with a back shell made of **plastic**.



1991

The RECARO Variomed is the world's first vehicle seat to provide **asymmetrical adjustment options**.



1995

The world's first racing shell with **head protection**. RECARO's new Pro Racer racing shell revolutionizes safety standards in professional motorsport.



2002

RECARO becomes the first manufacturer to offer a racing shell that uses the **HANS (Head And Neck Support) system**, which protects the driver in the event of a serious accident.



2005

RECARO becomes the world's first seat manufacturer to revolutionize seating design with its new **lightweight composite shell**.



2005

RECARO launches the first **full shell with ABE** (German general type approval) on the market.



2013

RECARO Automotive unveils the P 1300 GT, the first **racing shell with fore-aft adjustment**, combining top-level safety with tailored comfort.



2019

The RECARO Podium is the only retrofit shell seat on the market that is approved for use on public roads (**ABE general type approval**) and has **FIA homologation**. Awarded the **AGR seal of quality**.



2020

The new versions of our classic seats, the **RECARO Classic Pole Position (ABE)** and the **Classic LX** and **LS**, turn classic vehicle interiors into pictures of perfection.



2021

**From the car to the desk:** exclusive Performance and Classic swivel chairs with original car seats: **RECARO Classic LX Star**, **Cross Sportster CS Star** and **RECARO Speed Star** for the home and workplace.



2023

The first model in RECARO's new generation of sports seats: **the first all-electric 8-way aftermarket sports seat:** RECARO Sport C. Awarded the **AGR seal of quality**. **1963 – 2023: We're celebrating 60 years of the RECARO brand.**



2024

For road and track: The RECARO Podium in **glass fiber reinforced plastic (GFRP)**.

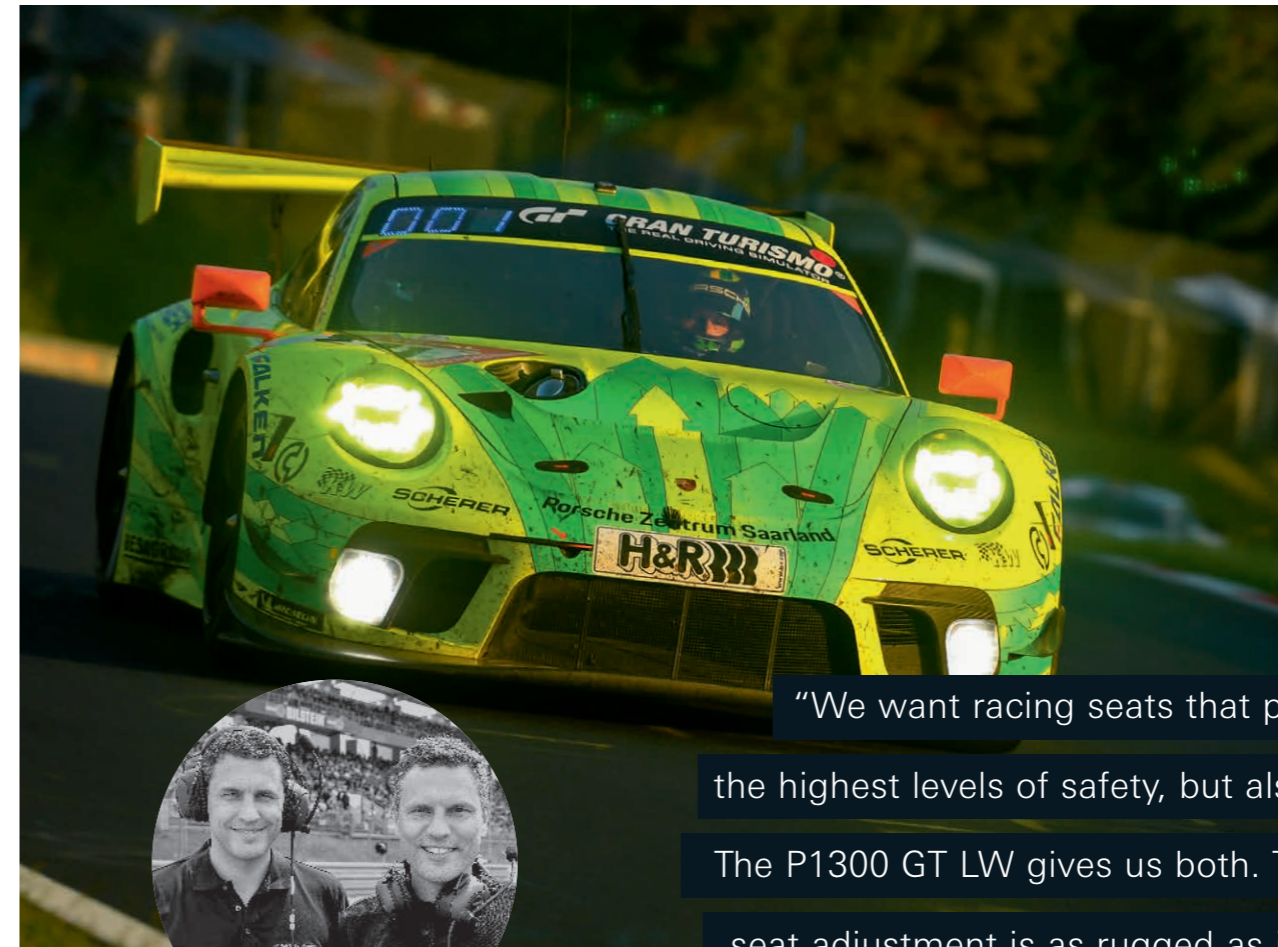


# PEAK BODY SUPPORT FOR UNPARALLELED RACING PERFORMANCE.

Motorsport is the ultimate test of driver and machine: top speeds, centrifugal forces, vibration, jolts, impacts, and maximum Gs. To win, you need unshakable confidence in your car and equipment.

One hundred percent. No ifs, ands or buts.

A racing car is not comfortable. It's loud, hard, and stripped to its racing bones. As the key contact area between car and driver, the seat provides critical millisecond-by-millisecond feedback from the chassis, tires, brakes, engine and track surface. It has to be so perfectly tailored that you can forget everything aside from handling the car and winning the race. Every second on the track demands every ounce of your focus and awareness.



Martin and Nicolas Raeder, Owners of Manthey Racing, Winners of the 2018 and 2021 ADAC Zurich 24-Hour Race at the Nürburgring, DTM winner 2023

"We want racing seats that provide the highest levels of safety, but also comfort. The P1300 GT LW gives us both. The fore-aft seat adjustment is as rugged as it comes – perfect for long-distance races and frequent driver changeovers – and the shell gives drivers an incredibly sensitive feel for the car and the track."

## LIKE A SECOND PROTECTIVE SKIN.

So what makes the ultimate racing seat? The answer: one that you barely notice, because it supports and cocoons you like a second skin. At RECARO we're experts in human anatomy – especially the spine. Our racing seats are ergonomically designed to provide outstanding support and protection for your back against all the forces the track can throw at it.





**BMW M Motorsport**  
 Customer Racing  
 Technical Partner M2 CS Racing



"In RECARO Automotive, we have found the right partner who shares our fascination for top performance at every level of racing. The FIA-homologated RECARO racing seats offer a combination of performance, maximum safety, the latest technology and advanced ergonomics that is optimally tailored to our needs."



**Andreas Roos**  
 Head of BMW M Motorsport

## A SAFE SEAT IS A SURE WIN.

Motorsport is fraught with risks. Drivers face extreme challenges. They need absolute faith in themselves and their equipment. That's why the top drivers in all the main national and international series choose RECARO racing shells. Supreme protection standards, tough testing regimes, state-of-the-art production processes and more than 115 years of experience guarantee you the best possible safety margin.

RECARO products comply with stringent FIA requirements in every respect. The RECARO P 1300 GT LW with the flexible sidemount even meets the exceptionally rigorous FIA Standard 8862-2009 for Advanced Racing Seats, which certifies products for 10 years. This requirement, already mandatory in many FIA world championships (GT3, WRC, WRX and ERC) has raised the bar. RECARO shell seats meet the toughest design and safety requirements. In comprehensive testing they were successfully subjected to loads as high as 6.1 metric tons. Another key advantage of RECARO products is optimum driver support.



As an expert in racing seats with around 60 years experience in all areas of motorsport, RECARO supports FIA Action for Road Safety.

# NO COMPROMISES.

At RECARO, driver protection is about more than just giving you the impression you're in safe hands. We make no compromises when it comes to safety. It is our utmost priority. We push our seats to the limit: we've put over 14,200 of them through their paces since 1990. From the moment we start developing our seats, we work closely with other manufacturers of safety products. Our products routinely exceed legal standards and that's why car manufacturers, professional drivers and racing drivers know they can trust us. Safety first!



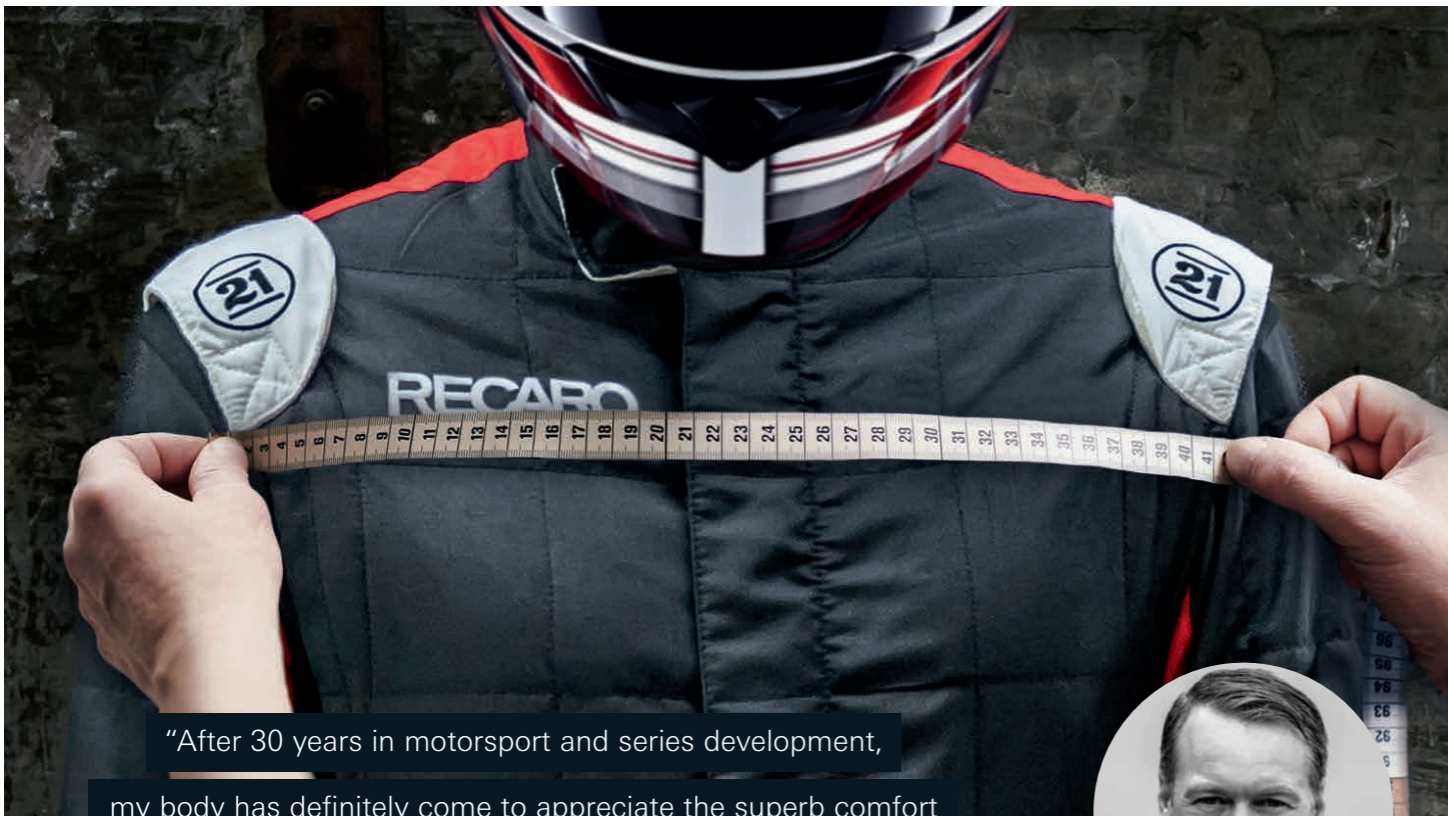
**Walter Röhrl**  
 Rally driving legend

"RECARO seats have kept me safe and successful in my more than 50 years in motorsport – and I'm sticking with them."

# 14,200

Number of our **crash attempts** since 1990.





“After 30 years in motorsport and series development, my body has definitely come to appreciate the superb comfort of RECARO seats. Even more so on the Nordschleife when I’m facing the challenge of so many fast sections and the centrifugal forces they produce – not to mention the bumps – a perfectly shaped seat is priceless!”



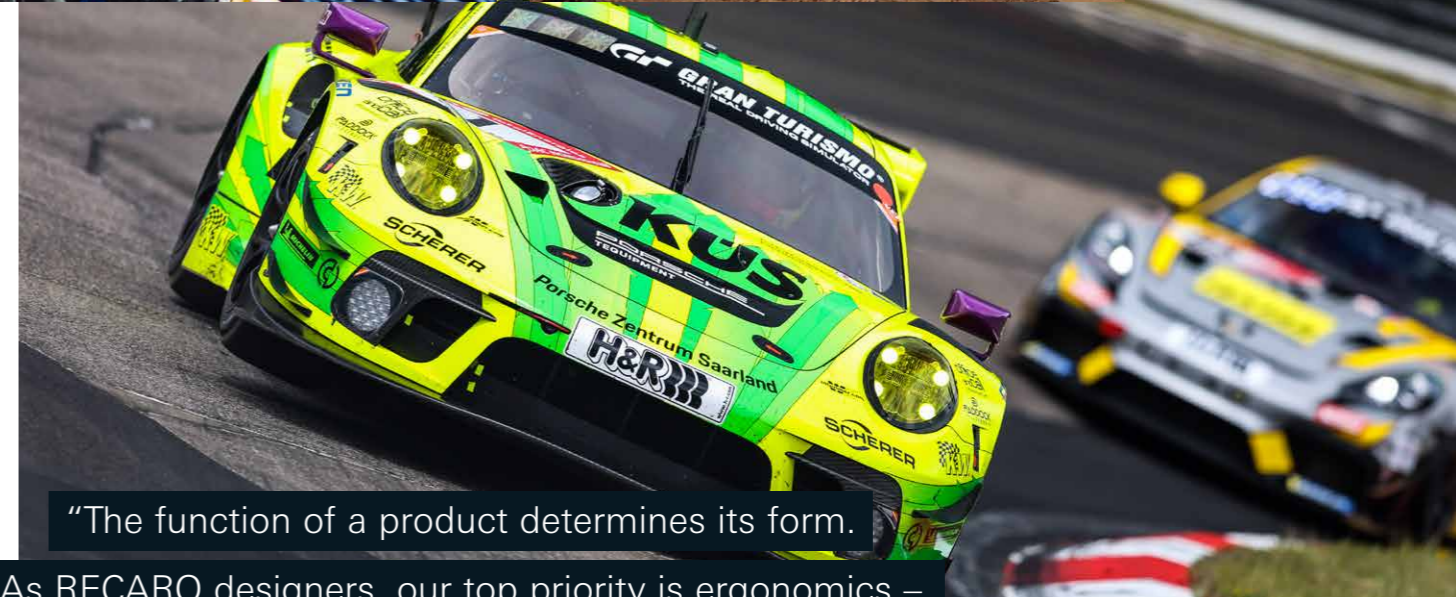
**Frank Stippler**  
Professional racing driver,  
winner of the 24-hour race  
at the Nürburgring 2012 and 2019  
and in Spa 2012

# YOUR NEW SEAT IS AS INDIVIDUAL AS YOU.

Every driver is unique. Your helmet, overalls and shoes need to fit perfectly – too tight or too loose is a potential distraction. Equally, your seat must be right for your physique. A RECARO racing seat is like a tailor-made suit. It fits like a glove. Only products made with experience, passion and skill make you feel this comfortable. Products refined to perfection. RECARO is the brand for exclusive seats made precisely to your tastes. Intelligently designed to fit you perfectly: a unique blend of comfort and ergonomics.

We go the extra mile, offering an XL seat version for drivers of larger build. But we don’t stop there in our pursuit of your comfort – we also have three different sizes of interchangeable seat pads, so you can set your ideal cockpit position with ease. Another plus is that our pads don’t cover the entire seat. They’re targeted exclusively at body contact points so that air can circulate. Think of it as passive air conditioning.

Our modular system also features shells that can be mounted with a fixed or flexible sidemount. The flexible version boasts fore-aft adjustment for the optimum driving position regardless of your height or build. Both options are ideal for races with fast, frequent driver changeovers.



“The function of a product determines its form. As RECARO designers, our top priority is ergonomics – it’s all about the person in the seat. form follows human.”

## EXCELLENT ERGONOMICS

The seal of quality from AGR e.V., the German Campaign for Healthier Backs, helps drivers choose back-friendly products. The RECARO Podium is the first racing shell to be awarded the coveted seal of quality. For more information, please visit: [www.agr-ev.de/en/back-friendly-products/back-friendly-products/4853-car-racing-shells](http://www.agr-ev.de/en/back-friendly-products/back-friendly-products/4853-car-racing-shells)



**Frank Beermann**  
Chief Engineer Industrial Design  
RECARO Automotive



# EVERY INCH A PREMIUM PRODUCT.

Ultra-light carbon. Tough, highly flame-retardant upholstery.  
Hand-crafted. A RECARO racing seat  
blends exclusive materials and superb workmanship  
to create a premium product.



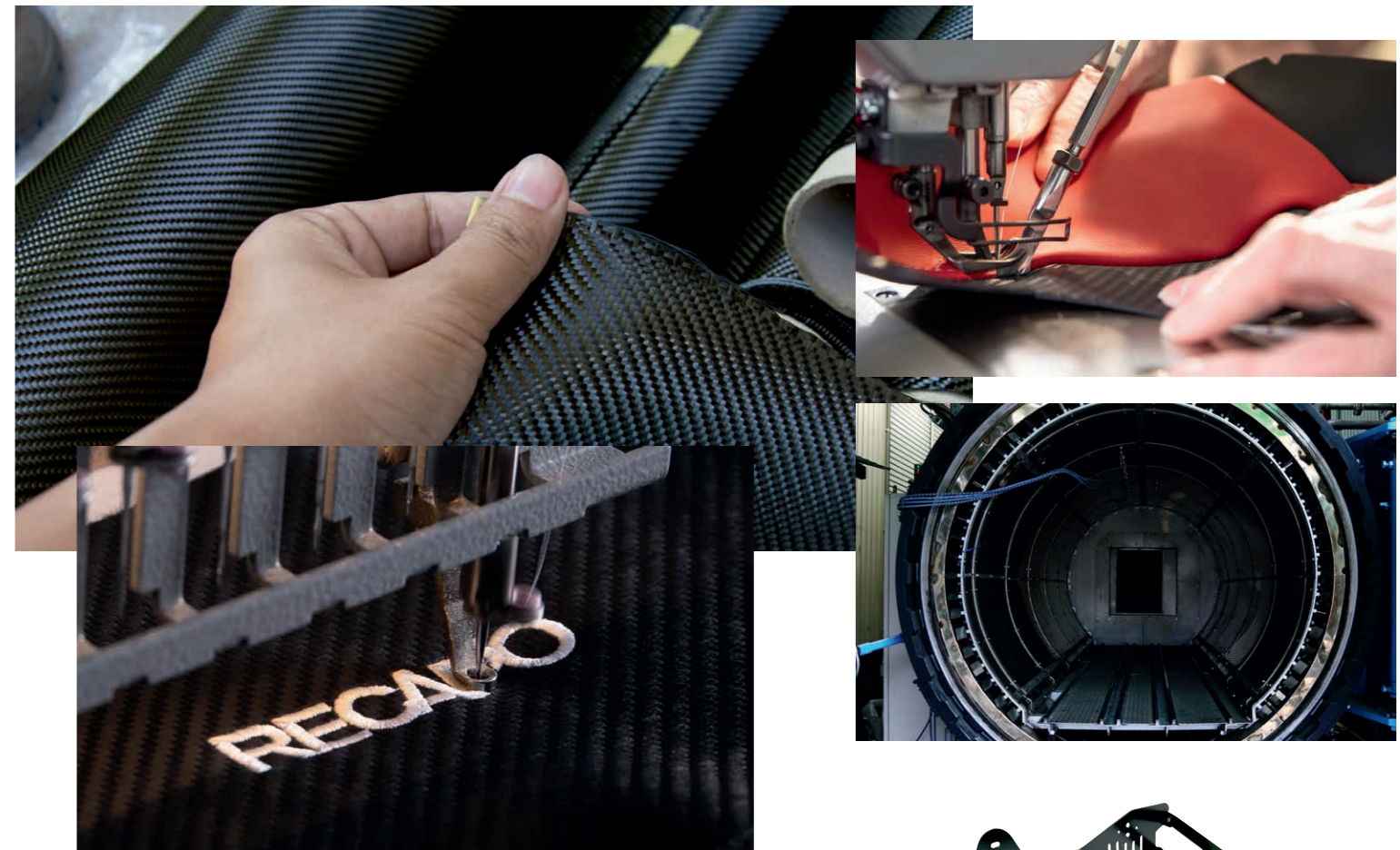
**Uwe Alzen**  
Professional racing driver  
Champion Spezial  
Tourenwagen Trophy 2021

"I've been using RECARO seats for decades.

For 90% of my career, I've competed in  
racing cars fitted with RECARO seats,

and I firmly believe that their quality and

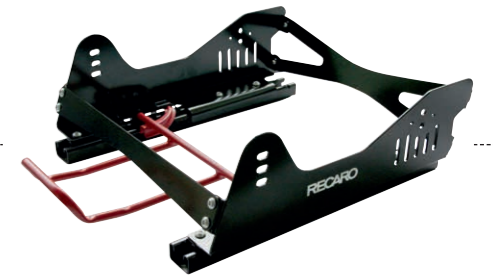
comfort are unbeatable!"



In motorsport, your faith in the quality and reliability of your equipment must be absolute if you're going to win. We get that. And it's the reason why racing drivers have put their trust in RECARO's expertise and experience for over 50 years. Peerless design, premium-quality materials and beautiful workmanship – our seats are made entirely by hand to meet these exacting demands.

Our designs are often imitated. But never equaled. RECARO uses three special lightweight materials: carbon (CFRP), carbon-aramid (CFRP/AFRP), and glass fiber reinforced plastic (GFRP). We combine them with unparalleled expertise and cutting-edge bonding techniques to create components guaranteed to perform flawlessly. RECARO uses proven aerospace production methods for all safety components. We also operate the most stringent quality controls – and that includes heat treatment processes. The RECARO SPA, P1300 GT LW are produced in an autoclave.

Our innovative manufacturing approach is all about maximum strength at minimum weight.



### DRIVING BY THE SEAT OF YOUR PANTS.

At RECARO Automotive we don't just develop racing seats. We look at the whole picture, because how the seat is fixed to the car is key. Our dedicated sidemounts are so fixed that the seat barely moves. Why? So that you can pick up even the subtlest feedback in any situation. That's how you squeeze those vital hundredths of a second out of a fast lap, and how a fast lap becomes a winning lap! Drive by the seat of your pants. Drive to win.

*FIA homologation applies to the overall system comprising the RECARO racing shell and its sidemount.*

*Our modular system of approved racing shells and sidemounts gives you the option of fixed or length adjustable seats.*



Timo Bernhard  
Team Manager,  
Professional racing driver,  
winner of American Le Mans Series  
and Petit Le Mans,  
2 x winner 24h Le Mans,  
5 x winner 24h Nürburgring



"My RECARO racing seat is not just reassuringly safe.  
It's also consistently comfortable. It supports my whole  
body so I can perform at my very best."



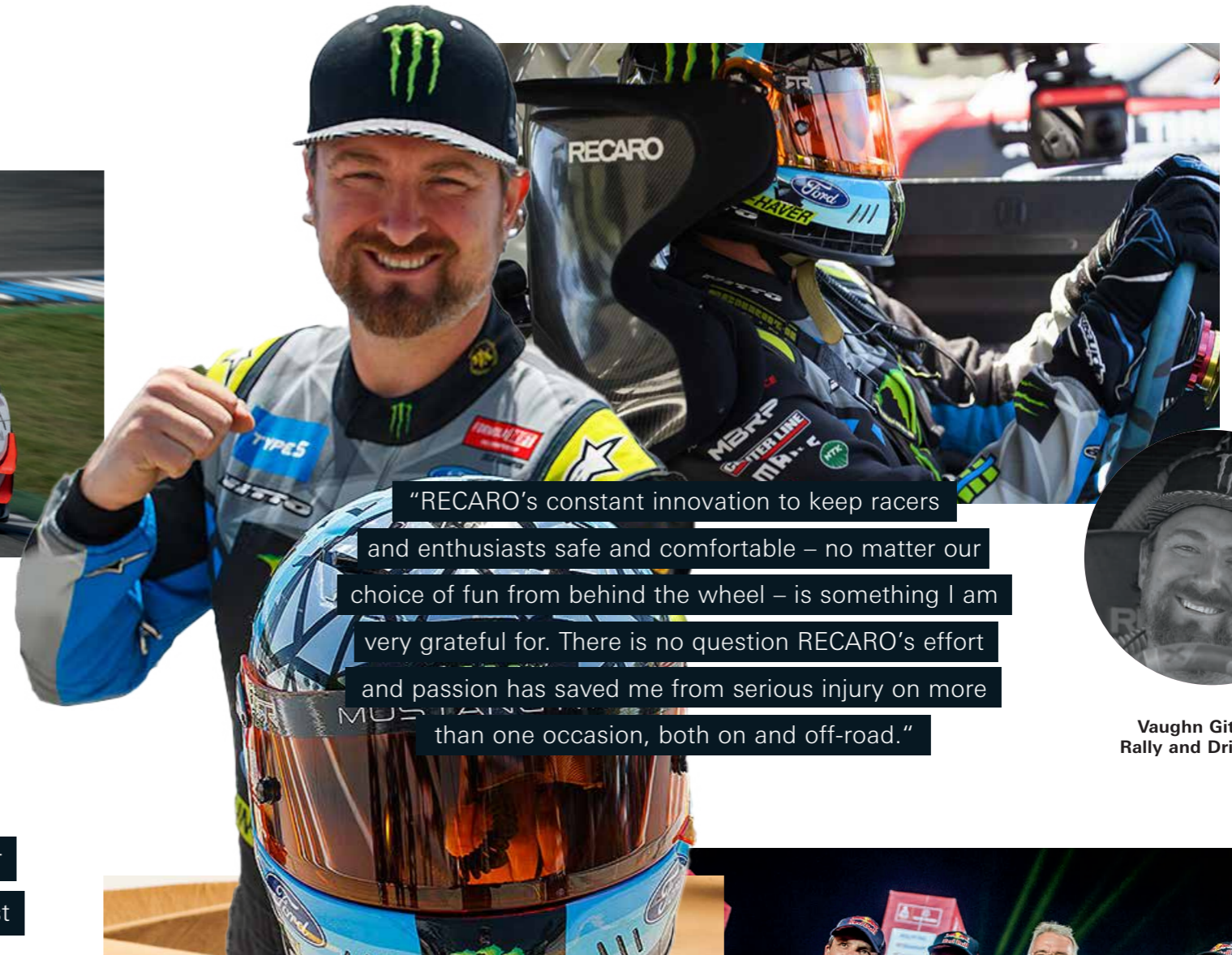
Karolina Pilarczyk  
Professional Drift Driver  
Queen of Europe Champion  
2016 & 2017

"RECARO racing seats were the obvious choice  
for the entire Drift season. They're simply perfect for  
the job! I feel like I am part of my car. They're not just  
safe – they're also very comfortable."



Chris Forsberg  
Formula Drift Champion,  
Triple Crown Champion,  
Stunt Car Driver

"No matter what's going on around me:  
I feel like I'm at home when I slip into one of my  
RECARO seats on the track."



Vaughn Gittin Jr.  
Rally and Drift driver

"RECARO's constant innovation to keep racers  
and enthusiasts safe and comfortable – no matter our  
choice of fun from behind the wheel – is something I am  
very grateful for. There is no question RECARO's effort  
and passion has saved me from serious injury on more  
than one occasion, both on and off-road."



Sven Quandt  
Head of Team X-Raid,  
Winner of the  
Rallye Dakar 2012, 2013,  
2014, 2015, 2020.

"In cross-country rallying several factors are key when it comes to seats.  
They include not just safety, but comfort as well.  
Our drivers sometimes sit in their car for over eight hours.  
Everyone who has sat in their car for that long knows what you feel like  
after such a drive. For our crews to be able to put in a perfect  
performance their seat must fit perfectly."

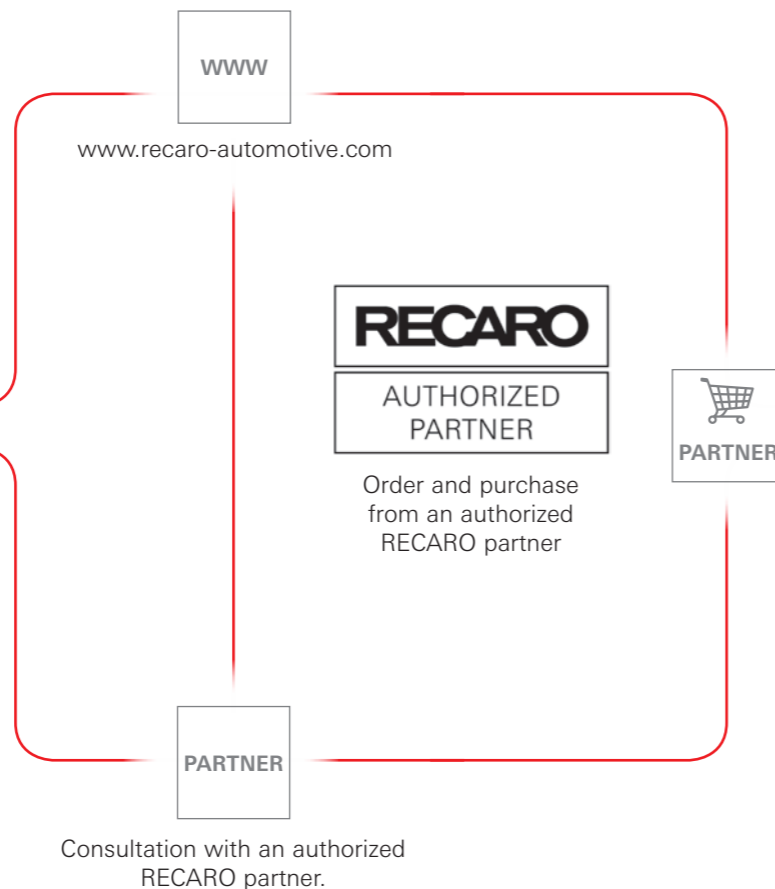
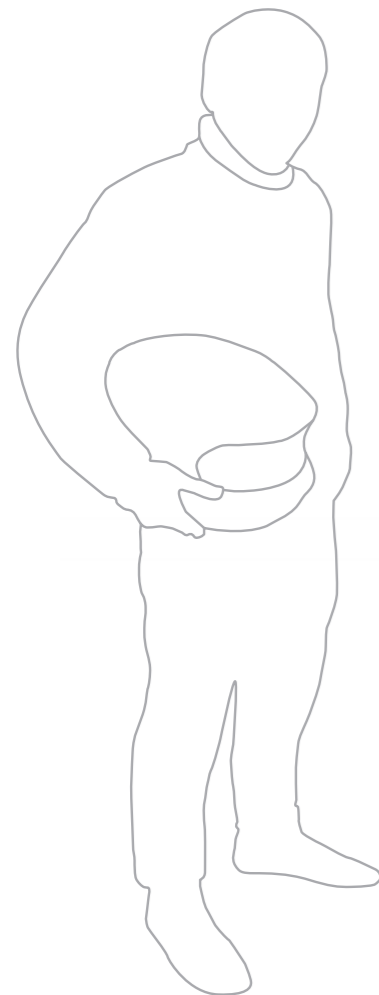


# YOUR RACING SEAT STARTS HERE.

Create your custom RECARO cockpit seat in a few simple steps. Take your time – begin by asking yourself a few questions: Are you racing in a professional or semi-professional series? Which FIA standard must the seat comply with? Does it need to be compatible with the HANS system? Are you a solo driver who needs a fixed sidemount? Or part of a team with frequent driver changes during a race? Which material – ultra-light carbon or glass fiber reinforced plastic – is the best balance for you in terms of weight and performance?

After getting an initial overview from this brochure or a visit to our website, we always recommend a personal consultation with an authorized RECARO motorsport partner. Search for your nearest one on our website. Our partners can help you with your specific requirements. Round off your visit by trying out your favorite seat model.

Please note that special sidemounts are required to install RECARO racing seats properly. For optimum safety we recommend the whole RECARO modular seating system, which is rigorously crash tested to enhance driver protection. You should also check your vehicle's technical requirements and installation dimensions. Our partners will be happy to help.



# GUARANTEED FIA APPROVED.

All RECARO racing seats are homologated as complete systems (seats plus fixed or flexible sidemounts) to the FIA's high standards. **FIA Standard 8862-2009 tests systems to an acceleration force equivalent to 70 g.**

FIA 8855-1999 (Competition Seat)	-> 24 g
<b>Validity:</b> Approval valid for five years.	
<b>Scope:</b> Racing seat plus fixed or flexible sidemounts.	
<b>Type of tests:</b> Exclusively dynamic tests.	
<b>1. Rear impact 20 g with dummy 50% (75 kg):</b> Test with dummy, backward 20 g over 50 ms.	
<b>2. Side impact 15 g with dummy 50% (75 kg):</b> Test with dummy, forward and backward 15 g over 50 ms.	
<b>3. Rear impact 10 g with dummy 50% (75 kg):</b> Test with dummy, backward 10 g over 50 ms.	

FIA 8862-2009 (Advanced Racing Seat)	-> 70 g
<b>Validity:</b> Homologation valid for 10 years.	
<b>Scope:</b> Seat substructures including fixed or flexible sidemounts are homologated as part of the entire seating system.	
<b>Testing regime:</b> Quasi-static testing for accurately measured loads, replicable test conditions and precise results. Damage or even strong deformation results in a test fail.	
<b>Significantly higher test requirements compared to 8855-1999:</b> Three consecutive tests with forces of between 32 kN (approx. 3.3 metric tons) and 60 kN (approx. 6.1 metric tons):	
<b>1. Lateral load test: 1 x 32 kN</b> (Around 300% increase in overall loading compared with FIA 8855 in the pelvic, shoulder and head areas of the racing shell).	
<b>2. Rearward load test (against direction of travel): 1 x 35 kN</b> (around 200% increase in load)	
<b>3. Crush test: 2 x 30 kN</b> The seat must absorb 1 kJ of energy – the lateral load at the shoulder area must not exceed 30 kN and the seat shell must not deform any more than 200 mm inwardly.	
<b>Fire protection:</b> Fire protection improved to 75 mm/min under ISO 3795.	

## THE RECARO SYSTEM.












OVERVIEW OF CAR SEAT RANGE RACING SEATS

PROFESSIONAL RACING SEATS

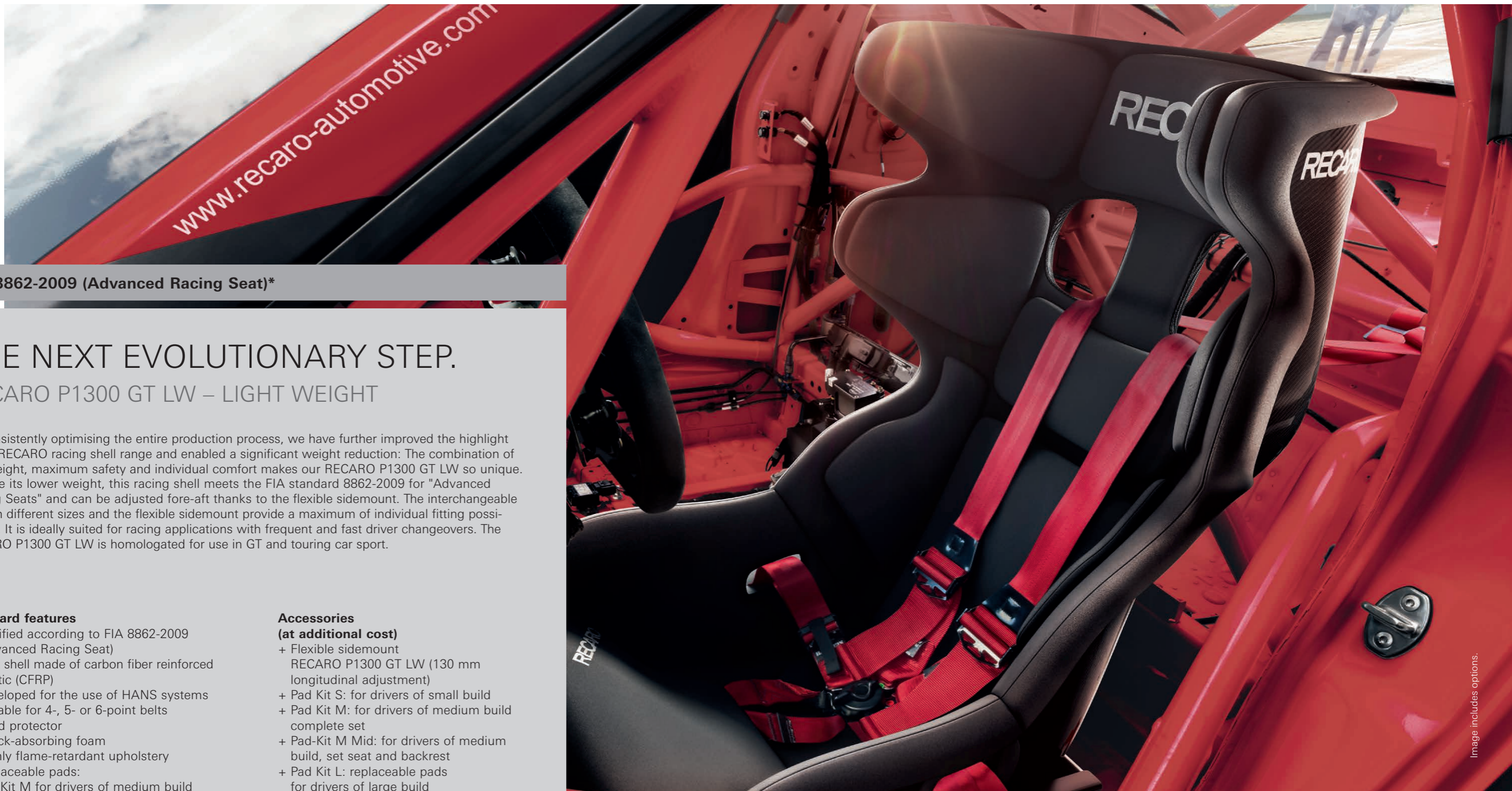
SEMI-PROFESSIONAL RACING SEATS

		PROFESSIONAL RACING SEATS		SEMI-PROFESSIONAL RACING SEATS				
								
		RECARO P1300 GT LW	RECARO Pro Racer SPA & SPA XL	RECARO Pro Racer SPG & SPG XL	RECARO Profi SPG & SPG XL	RECARO Pole Position N.G. (FIA)	RECARO Podium CF	RECARO Podium GF
USE*	For GT vehicles/sports cars	●	●	●		●	●	●
	For touring vehicles	●	●	●		●	●	●
	For rally vehicles		●		●			
COMFORT	Anatomical seat contour	●	●	●	●	●	●	●
	Paddable lumbar support	●			●	●		
	Pad Kit S (Replaceable pads for drivers of small build)	○						
	Pad Kit M (Replaceable pads for drivers of medium build)	●					● Podium CF M	● Podium GF M
	Pad Kit L (Replaceable pads for drivers of large build)	○					● Podium CF L	● Podium GF L
	Seat air conditioning						● passive	● passive
	High seat cushion		○	○	○			
	Side support pad	○						
	Seat in XL version			○	○			
	Flexible sidemount (fore-aft adjustment for preferred sitting positions)	○	○	○	○			
Fixed sidemount			○	○	○	○	○	
AGR certified (German Healthier Backs Campaign)						●	●	
Friction grip surface in the shoulder and seat area			●	●	●			
LIGHTWEIGHT	Seat shell made of carbon (CFRP)	●					●	
	Seat shell made from carbon and aramid composite (CFRP/AFRP)		●					●
	Seat shell glass fiber reinforced plastic (GFRP)			●	●	●		●
	Net seat weight						approx. 4.9 kg	approx. 8.5 kg
	Weight: complete shell (incl. foam and upholstery, without sidemount)	approx. 14.0 kg	SPA: approx. 7.0 kg SPA XL: approx. 7.5 kg	SPG: approx. 9.0 kg SPG XL: approx. 10.0 kg	SPG: approx. 7.0 kg SPG XL: approx. 10.0 kg	approx. 7.7 kg	Podium CF M: approx. 7.4 kg Podium CF L: approx. 7.3 kg	Podium GF M: approx. 11.0 kg Podium GF L: approx. 10.9 kg
Aluminum sidemounts		○ SPA XL		○ SPG XL	○			
SAFETY	Advanced Racing Seat (FIA 8862-2009)	●						
	Competition Seat (FIA 8855-1999)		●	●	●	●	●	●
	Suitable for 4-, 5- or 6-point belts (racing use)	●	●	●	●	●	●	●
	Suitable for HANS systems	●	●	●	●	●	● <sup>1</sup>	● <sup>1</sup>
	Shock-absorbent foam	●	●	●	●	●		
	Highly flame-retardant upholstery (ISO 3795)	●						
	Highly flame-retardant upholstery (FMVSS 302)		●	●	●	●	●	●
	FIA approval for 10 years	●						
FIA approval for 5 years		●	●	●	●	●	●	
ABE/component certification						●	●	
SPORTY PERFORMANCE	Integrated headrest	●	●	●	●	●	●	●
	Suitable for 3-, 4-point belt (street use)						●	●
	Special lateral support in the backrest area	●	●	●	●	●	●	●
	Special lateral support in the seat cushion area	●	●	●	●	●	●	●
	Specially formed shoulder support	●	●	●	●	●	●	●
	Dynamic ride performance	●	●	●	●	●	●	●
	Slim design						●	●

● Standard features, ○ Option/accessories \* Recommend use for racing series

<sup>1</sup> Temporary removal of pad and pad pins recommended





FIA 8862-2009 (Advanced Racing Seat)\*

## THE NEXT EVOLUTIONARY STEP. RECARO P1300 GT LW – LIGHT WEIGHT

By consistently optimising the entire production process, we have further improved the highlight in the RECARO racing shell range and enabled a significant weight reduction: The combination of low weight, maximum safety and individual comfort makes our RECARO P1300 GT LW so unique. Despite its lower weight, this racing shell meets the FIA standard 8862-2009 for "Advanced Racing Seats" and can be adjusted fore-aft thanks to the flexible sidemount. The interchangeable pads in different sizes and the flexible sidemount provide a maximum of individual fitting possibilities. It is ideally suited for racing applications with frequent and fast driver changeovers. The RECARO P1300 GT LW is homologated for use in GT and touring car sport.

### Standard features

- + Certified according to FIA 8862-2009 (Advanced Racing Seat)
- + Seat shell made of carbon fiber reinforced plastic (CFRP)
- + Developed for the use of HANS systems
- + Suitable for 4-, 5- or 6-point belts
- + Head protector
- + Shock-absorbing foam
- + Highly flame-retardant upholstery
- + Replaceable pads:  
Pad Kit M for drivers of medium build (standard feature)
- + FIA approval for 10 years

### Accessories

(at additional cost)

- + Flexible sidemount  
RECARO P1300 GT LW (130 mm longitudinal adjustment)
- + Pad Kit S: for drivers of small build
- + Pad Kit M: for drivers of medium build complete set
- + Pad-Kit M Mid: for drivers of medium build, set seat and backrest
- + Pad Kit L: replaceable pads for drivers of large build
- + Lumbar pad
- + Side support pad
- + Pad Kit helmet support

RECARO P1300 GT LW is designed for vehicles with a slope angle of 8.5°. This is the only way to enable the tilt setting of 3° during installation.  
\* FIA approval 8862-2009 (Advanced Racing Seat) only in conjunction with specified sidemounts.



Image includes options.

### Upholstery variant

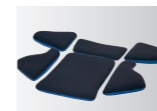


Velour black

### Accessories



Flexible sidemount



Pad Kit S, 6-piece, without seat cushion



Pad Kit M, 11-piece, with seat cushion



Pad Kit M Mid, 4-piece, with seat cushion



Pad Kit L, 5-piece, without seat cushion



Lumbar pad



Side support pad



Pad Kit helmet support

### Weight

Approx. 11.0 kg (without pads/upholstery)  
Approx. 14.0 kg (with pads/upholstery)

### Pad Kit S, M, M Mid, L







**FIA 8855-1999 (Competition Seat)\***

**FOR PROS WITH A CLAIM TO WINNING.**

RECARO Pro Racer SPA & SPG

The RECARO Pro Racer – our premium product for GT and touring cars built to the FIA 8855-1999 standard – was developed for HANS driver safety systems and comes in four versions. The seat is available in carbon-aramid composite (CFRP/AFRP) or glass fiber reinforced plastic (GFRP), and in various sizes, including an XL option for drivers of larger build. The Pro Racer fits like a glove. And the FIA-homologated flexible sidemount accommodates any driver's physique with ease.

**Standard features**

- + Developed for the use of HANS systems
- + Suitable for 4-, 5- or 6-point belts
- + Head protector
- + Shock-absorbing foam
- + Flame-retardant upholstery
- + Friction grip surface around the shoulders

**RECARO Pro Racer SPA & XL**

- + Seat shell made of carbon and aramid composite (CFRP/AFRP)
- + **XL:** seat shell 35 mm wider

**RECARO Pro Racer SPG & XL**

- + Seat shell made of glass fiber reinforced plastic (GFRP)
- + **XL:** seat shell 35 mm wider

**Accessories (at additional cost)**

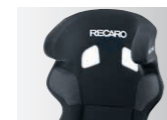
- + Steel sidemount
- + Aluminum sidemount
- + Flexible sidemount ideal for races with change of driver
- + Seat cushion



\* FIA approval 8855-1999 only valid in conjunction with the specified RECARO sidemount.

**Weight**  
 Pro Racer SPA: approx. 7.0 kg  
 Pro Racer SPA XL: approx. 7.5 kg  
 Pro Racer SPG: approx. 9.0 kg  
 Pro Racer SPG XL: approx. 10.0 kg

**Upholstery variant**



Velour black

**Accessories**



Flexible sidemount Pro Racer SPG/SPA



Flexible sidemount Pro Racer SPG/SPA XL



Pro Racer SPG & SPA: Steel sidemount



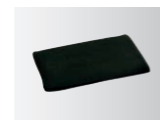
Pro Racer SPG XL: Steel sidemount



Pro Racer SPA XL: Aluminum sidemount



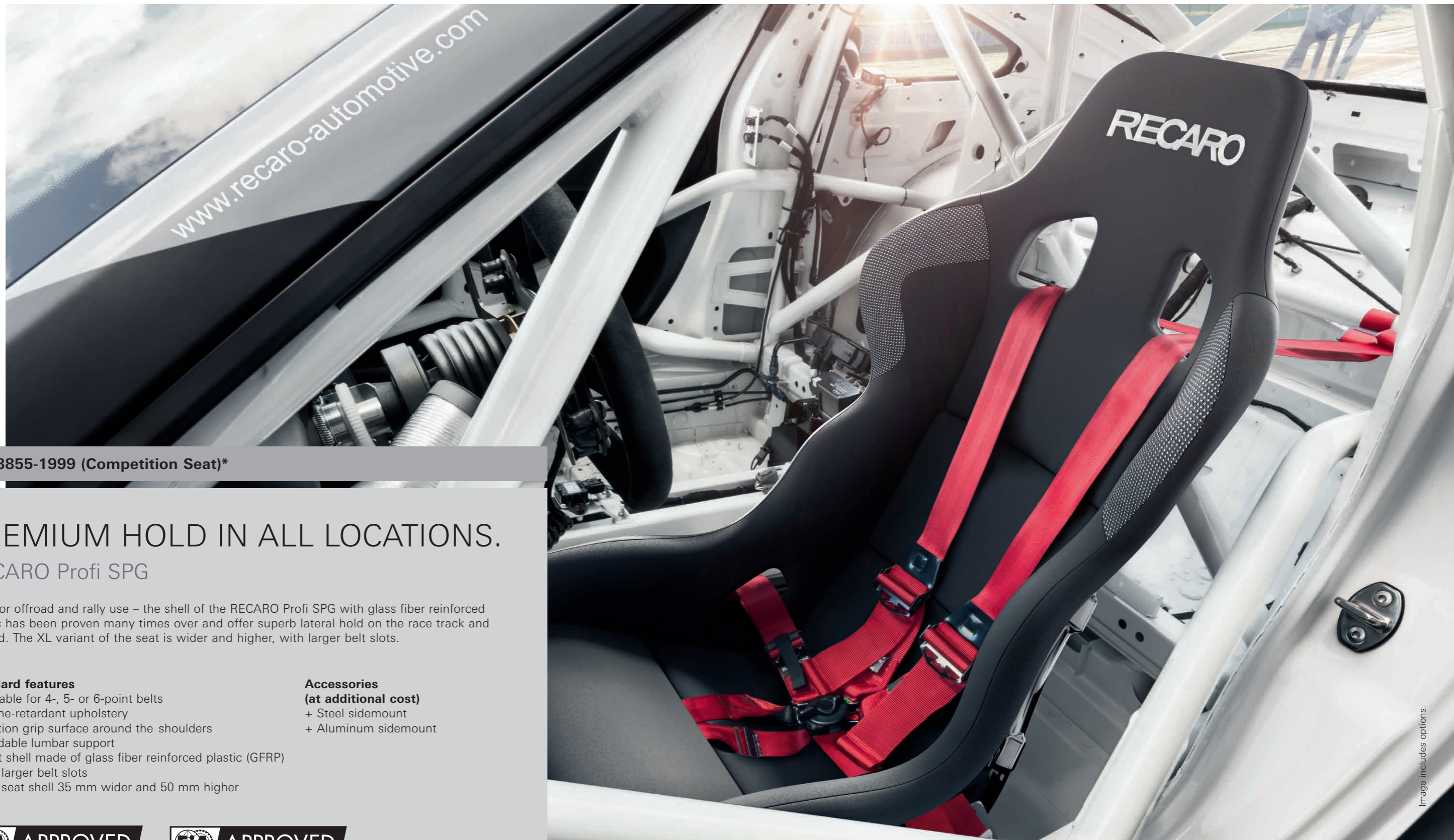
Pro Racer SPG & SPA: High seat cushion



Lumbar pad







FIA 8855-1999 (Competition Seat)\*

## PREMIUM HOLD IN ALL LOCATIONS.

### RECARO Profi SPG

Ideal for offroad and rally use – the shell of the RECARO Profi SPG with glass fiber reinforced plastic has been proven many times over and offer superb lateral hold on the race track and offroad. The XL variant of the seat is wider and higher, with larger belt slots.

#### Standard features

- + Suitable for 4-, 5- or 6-point belts
- + Flame-retardant upholstery
- + Friction grip surface around the shoulders
- + Paddable lumbar support
- + Seat shell made of glass fiber reinforced plastic (GFRP)
- + **XL**: larger belt slots
- + **XL**: seat shell 35 mm wider and 50 mm higher

#### Accessories

- (at additional cost)
- + Steel sidemount
  - + Aluminum sidemount



MANUFACTURER: RECARO  
MODEL: Profi SPG  
HOM. NO.: CS.011.00  
FIA STANDARD: 8855-1999

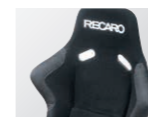


MANUFACTURER: RECARO  
MODEL: Profi SPG XL  
HOM. NO.: CS.086.04  
FIA STANDARD: 8855-1999

\* FIA approval 8855-1999 only valid in conjunction with the specified RECARO sidemount.

Image includes options.

#### Upholstery variants RECARO Profi SPG & XL



Velour black



Velour red

#### Accessories



Profi SPG:  
Steel sidemount



Profi SPG XL:  
Aluminum sidemount

**Weight**  
Profi SPG: approx. 7.0 kg  
Profi SPG XL: approx. 10.0 kg







FIA 8855-1999 (Competition Seat)\*

## FOR START TO FINISH VICTORIES.

### RECARO Pole Position N.G. (FIA)

The RECARO Pole Position N.G. (FIA) racing seat provides the best starting position for all beginners and professionals seeking to compete for podium places from the front row. Its generous array of features and numerous options for personalizing the cushions and seat covers make it the popular favorite in GT, touring cars and club motorsport.

#### Standard features

- + Seat shell made of glass fiber reinforced plastic (GFRP)
- + Suitable for 4-, 5- or 6-point belts
- + Flame-retardant upholstery
- + Seat and backrest cushions replaceable
- + Paddable lumbar support

#### Accessories

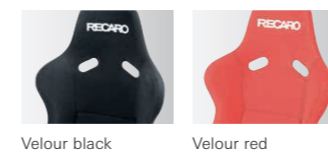
- (at additional cost)
- + Steel sidemount
  - + Aluminium sidemount



\* FIA approval 8855-1999 only valid in conjunction with the specified RECARO sidemount.

Image includes options.

#### Upholstery variants



Velour black

Velour red

#### Accessories



Steel sidemount

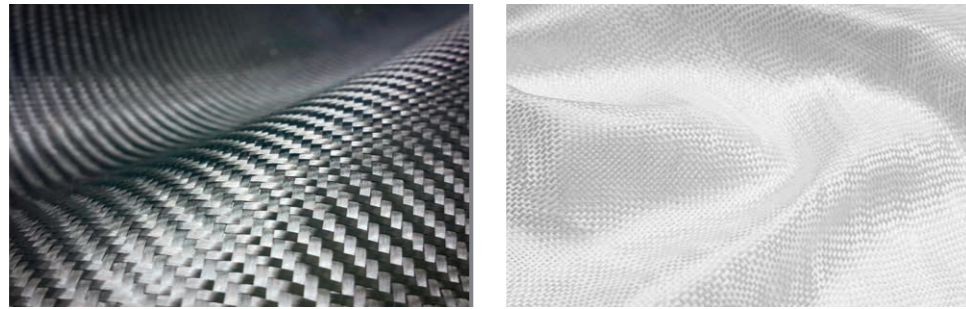
Steel sidemount

Aluminium sidemount

**Weight**  
Approx. 7.7 kg







FIA 8855-1999 (Competition Seat)\*\*

## FOR TRACK AND ROAD.

RECARO Podium CF (Carbon fiber) and GF (Glass fiber)

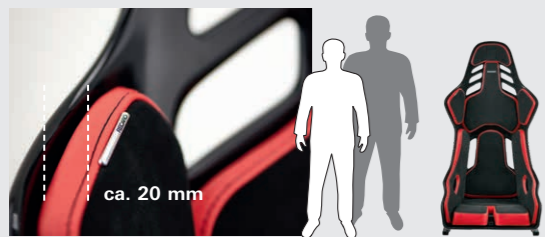
The new RECARO Podium is much more than a thoroughbred GFRP or CFRP shell seat. It's a pioneering seat design for the contrasting demands of road and track. It's not just its sleek outline, visible structures or motorsport-inspired pads in varying thicknesses that make heads turn. The Podium stands out because of its superior quality and exceptional performance on all road types – for driving day-to-day and at the limit. The RECARO Podium is the only retrofit shell seat on the market that is approved for use on public roads and has FIA homologation. Racing technology doesn't get better than this!

To meet our consistently high standards of innovation, quality, comfort and, most importantly, safety, the RECARO Podium went through intensive testing on the toughest racetracks in the world during development.

The suave combination of original Alcantara® fabrics and exclusive leather together with the passive ventilation of the open back shell and airy pad contours make even the longest of routes the most perfect of pleasures. In addition, the RECARO Podium is the first racing shell ever to be awarded the coveted seal of quality from AGR e.V., the German Campaign for Healthier Backs – a reliable decision-making aid when buying back-friendly products. The shell is also super light – but, of course, that goes without saying.

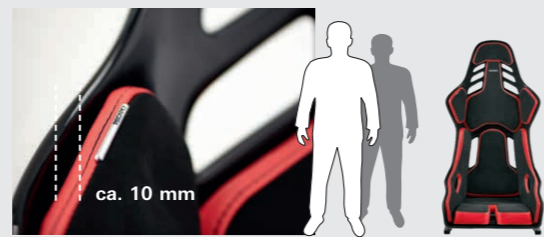
### RECARO Podium GF/CF M for medium build drivers

The RECARO Podium M is suitable for medium build drivers. The approx. **20 mm** thick pads are available in all of the listed cover options.



### RECARO Podium GF/CF L for larger build drivers

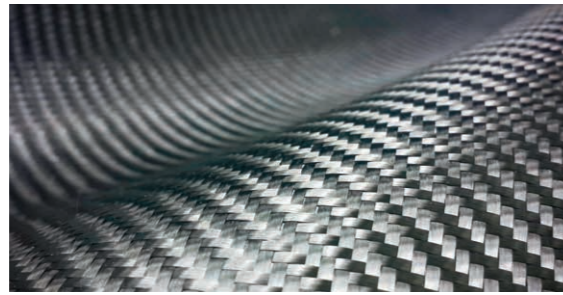
The RECARO Podium L is suitable for larger build drivers. The approx. **10 mm** thick pads are available in all of the listed cover options.



AGR: Approved and recommended by Healthier Backs Association (Aktion Gesunder Rücken e.V.) and the Federal Association of German Back Schools (BdR) e. V. For more information, contact: AGR e. V., Stader Str. 6, 27432 Bremervörde, Germany, Phone +49 4761 926 358 0, [www.agr-ev.de/en/back-friendly-products/back-friendly-products/4853-car-racing-shells](http://www.agr-ev.de/en/back-friendly-products/back-friendly-products/4853-car-racing-shells)







**LIGHTEST SEAT  
IN THE WORLD<sup>1</sup>**

### RECARO Podium CF (Carbon fiber reinforced plastic CFRP)

**Standard features**

- + Carbon fiber reinforced plastic (CFRP) seat shell
- + RECARO Podium CF **M**: with pads for medium build drivers
- + RECARO Podium CF **L**: with pads for larger build drivers
- + ABE and FIA homologation<sup>\*/\*\*</sup>
- + Suitable for track and road
- + Sporty seat performance
- + Sleek racing seat look
- + Special lateral support
- + Specially formed shoulder support
- + Integrated headrest
- + Visible seat structures
- + Road use: with 3- or 4-point belt
- + FIA: with 4-, 5- or 6-point belt
- + Developed for the use of HANS systems<sup>2</sup>

**+ Lightest seat in the world<sup>1</sup>:**

- RECARO Podium CF L: approx. 7.3 kg
- RECARO Podium CF M: approx. 7.4 kg (incl. pads in velour black)
- + Net seat weight: only approx. 4.9 kg

**Options (at additional cost)**

- + Seat cover options with Alcantara®/leather

**Accessories (at additional cost)**

- + FIA sidemount
- + Pad Kit M and L in three cover options

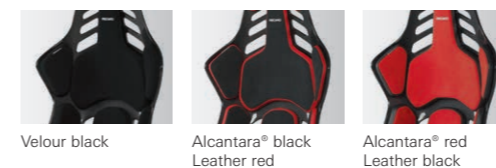


\* Seat with ABE (German general type approval)/component certification with 3-point belt available for many vehicles. For further information on specific vehicles, please contact an authorized RECARO partner (ABE/component certification only in conjunction with RECARO baseframe and sidemount).  
\*\* FIA homologation 8855-1999 only in conjunction with the specified sidemount.

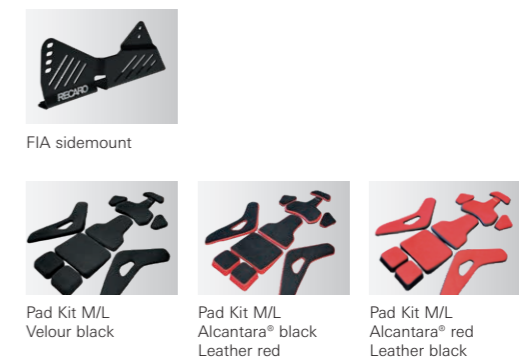


## ALCANTARA

**RECARO Podium CF Seat cover options**



**Accessories**

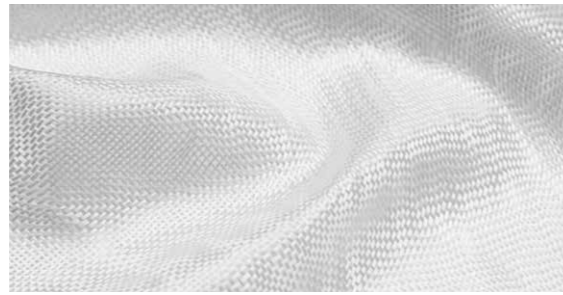


<sup>1</sup> One of the lightest seats in its class: category retrofit seats with road approval and FIA approval.

<sup>2</sup> Temporary removal of pad and pad pins recommended.







## RECARO Podium GF (Glass fiber reinforced plastic GFRP)



### Standard features

- + Glass fiber reinforced plastic (GFRP) seat shell
- + RECARO Podium GF **M**: with pads for medium build drivers
- + RECARO Podium GF **L**: with pads for larger build drivers
- + ABE and FIA homologation\*/\*\*
- + Suitable for track and road
- + Sporty seat performance
- + Sleek racing seat look
- + Special lateral support
- + Specially formed shoulder support
- + Integrated headrest
- + High-grade surface in mirror-finish black gelcoat
- + Road use: with 3- or 4-point belt
- + FIA: with 4-, 5- or 6-point belt

- + Developed for the use of HANS systems<sup>1</sup>
- + **One of the lightest seats in the world<sup>2</sup>:**  
 RECARO Podium GF L: approx. 10.9 kg  
 RECARO Podium GF M: approx. 11.0 kg (including pads in black velour)
- + Net seat weight: only approx. 8.5 kg

### Options (at additional cost)

- + Seat cover options with Alcantara®/leather

### Accessories (at additional cost)

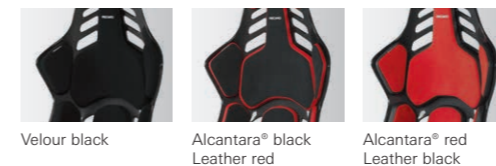
- + Sidemount Podium GF, ABE, FIA
- + Pad Kit M and L in three cover options

\* Seat with ABE (German general type approval)/component certification with 3-point belt available for many vehicles. For further information on specific vehicles, please contact an authorized RECARO partner (ABE/component certification only in conjunction with RECARO baseframe and sidemount).  
 \*\* FIA homologation 8855-1999 only in conjunction with the specified sidemount.



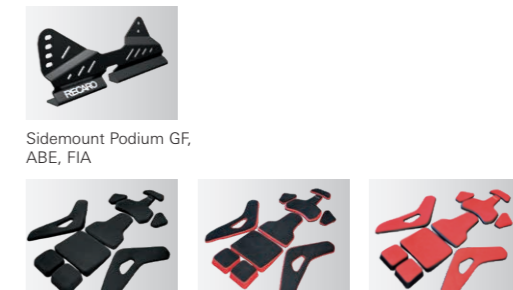
## ALCANTARA

### RECARO Podium GF Seat cover options



Velour black    Alcantara® black Leather red    Alcantara® red Leather black

### Accessories



Sidemount Podium GF, ABE, FIA  
 Pad Kit M/L Velour black    Pad Kit M/L Alcantara® black Leather red    Pad Kit M/L Alcantara® red Leather black

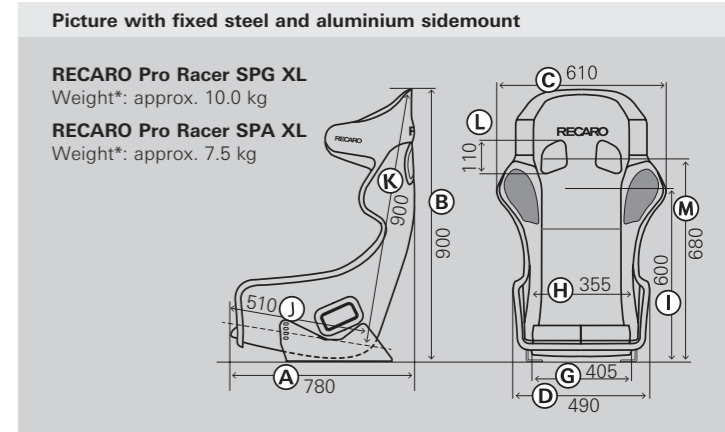
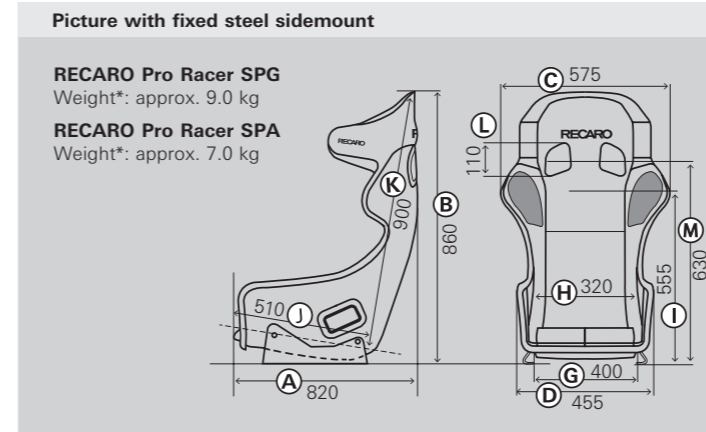
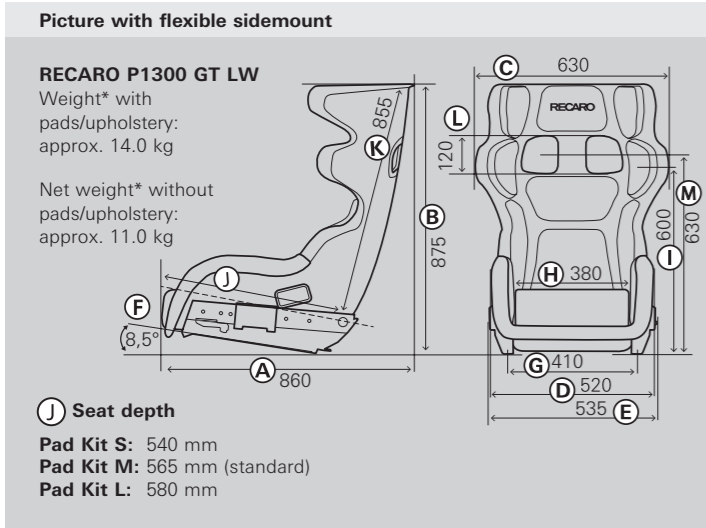
<sup>1</sup> Temporary removal of pad and pad pins recommended.

<sup>2</sup> One of the lightest seats in its class: category retrofit seats with road approval and FIA approval.



FIA-HOMOLOGATION 8862-2009 (Advanced Racing Seat)

FIA HOMOLOGATION 8855-1999 (Competition Seat)



**NOTES:** FIA-Homologation 8862-2009 (Advanced Racing Seat) and FIA-Homologation 8855-1999

**KEY:**

**Overall dimensions:**

- A: Seat depth
- B: Seat height
- C: Shell outer measurement at shoulder
- D: Shell outer measurement at seat bottom
- E: Subframe width
- F: Tilt at mounting level
- G: Width between mounting bolts

**Comfort dimensions:**

- H: Seat width at bottom
- I: Height of shoulder support
- J: Seat depth
- K: Seat height

**Belt slot:**

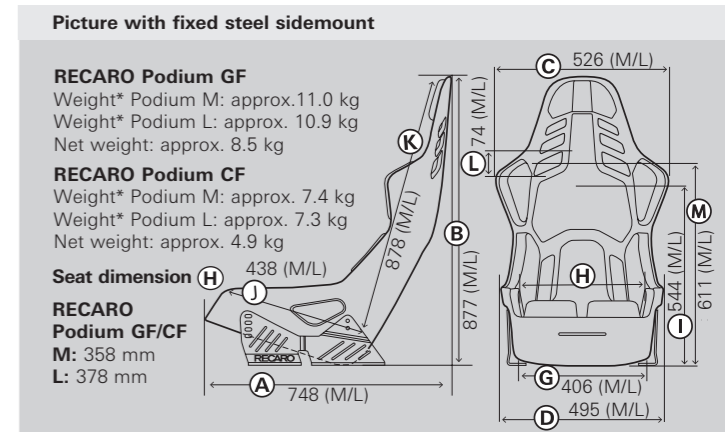
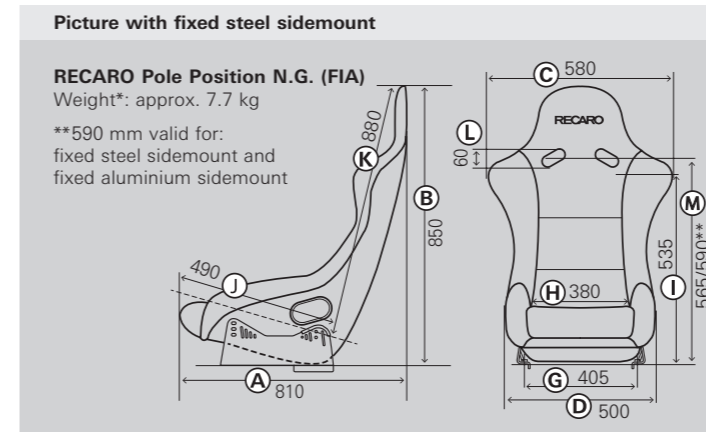
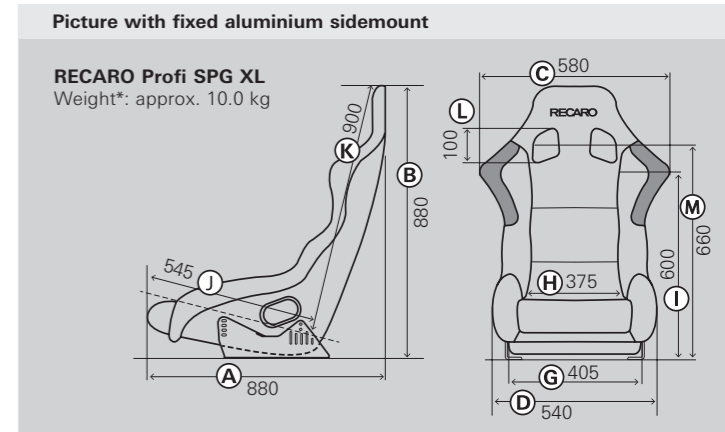
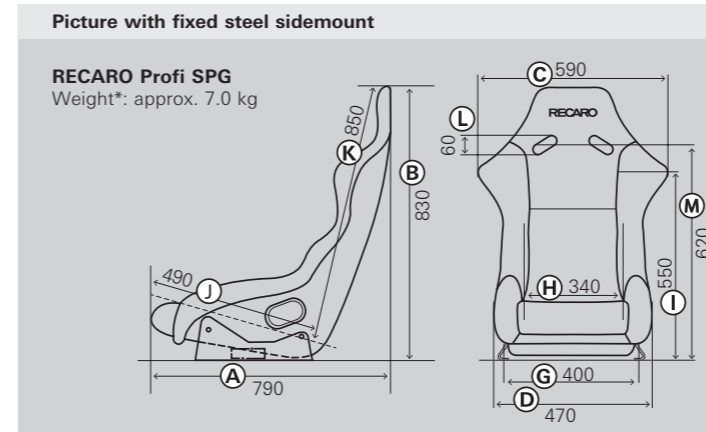
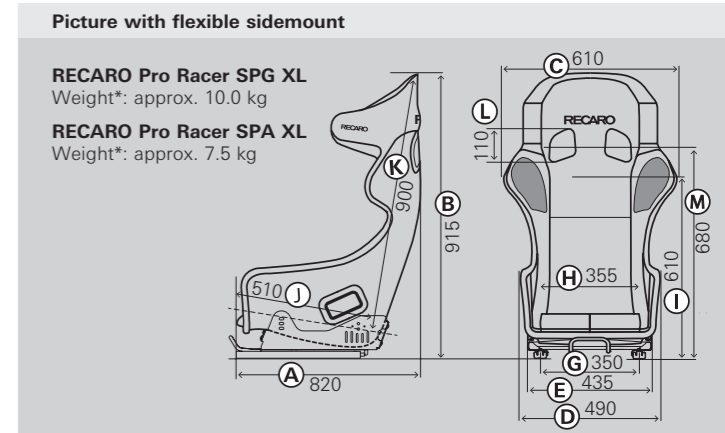
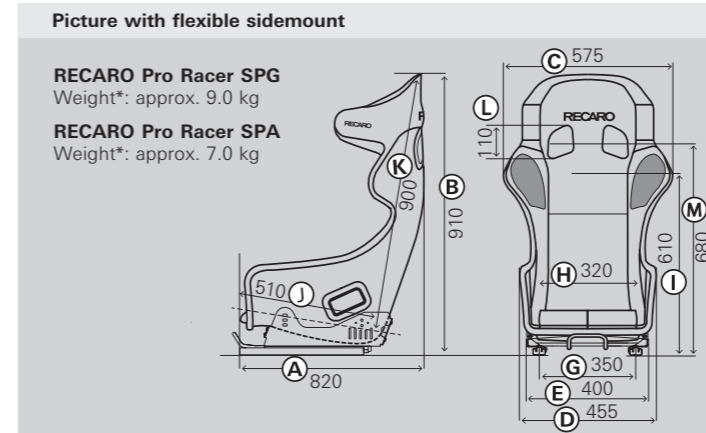
- L: Height of belt slot
- M: Center belt slot

**NOTES ON COMFORT DIMENSIONS:**

- Dimensions in mm. All dimensions may vary by ±10 mm.
- They do not take account of upholstery movement when the driver is seated, since this can vary a great deal. The comfort dimensions are measured on the upholstery and seams. Small deviations cannot be excluded.
- The **seat height** indicates the vertical height of the backrest from the top of the headrest to the top of the seat cushion.
- The **seat width** indicates the width of the seat cushion. This dimension is measured at the highest, forwardmost edge of the lateral center belt slot and can be up to 40 mm wider depending on how the seat cushions respond to the driver when seated.
- The **seat depth** indicates the total horizontal length of the seat cushion (from the front of the cushion to the bottom of the backrest).

**NOTE:**

- \* Weight: total shell weight (without mounted parts).
- Dimensions in mm.
- The dimensions of the racing seats RECARO Pole Position N.G. (FIA), Profi SPG, Profi SPG XL, Pro Racer SPG/SPA, Pro Racer SPG/SPA XL were determined in standard position (upper mounting point at front and lower mounting point at rear).
- The dimensions of the RECARO P1300 GT LW were determined in the rearmost position.
- RECARO racing shells can be individually fitted into nearly all racing cars. Not permitted in the area of the StVO – excluding FIA/ASN licensed events.
- The RECARO Podium racing shell can be installed individually in all racing cars. It is also approved in the StVO (ABE) area.
- FIA approval 8855-1999 and 8862-2009 (Advanced Racing Seat) apply only in conjunction with specified sidemount.
- FIA homologation 8855-1999 only in combination with the associated sidemount for the following RECARO racing seats: RECARO Pole Position N.G. (FIA), Profi SPG, Profi SPG XL, Pro Racer SPG, Pro Racer SPG XL, Pro Racer SPA, Pro Racer SPA XL.
- FIA homologation 8862-2009 (advanced racing seat) only in combination with the associated sidemount for the following RECARO racing seats: RECARO P1300 GT LW.
- The RECARO motorsport seats are made by hand to our highest quality standards. Due to this special manufacturing process, the lamination may in exceptional instances result in slight tolerances to the specified dimensions and weights.
- RECARO P1300 GT LW: the sidemounts are geared in their design to a floor pan tilt of 8.5°. Depending on manufacturer and floor pan group, adaptations may be necessary when fitting. RECARO P1300 GT LW: 130 mm lengthways adjustment; angle of tilt variable by max. 3° during fitting.



**RECARO upholstery materials**

**Perlon Velour black and red:**

Rugged, easy-care fabric that meets top safety standards. All upholstery materials used in RECARO racing shells meet FIA 8862-2009 homologation standards and are tested to ISO 3795. RECARO products designed to FIA Standard 8855-1999 are tested to fabric flammability standard FMVSS 302 and exceed the flame retardancy requirements by a significant margin.

**Alcantara® black and red:**

Alcantara is a Carbon Neutral material made in Italy which offers an unparalleled combination of aesthetic, technical and sensory qualities. It is elegant, soft but also breathable, light and wear resistant, able to turn car interiors into exclusive and special environments.

**Leather:**

RECARO leather is a high-quality natural product for exacting requirements for the vehicle interior.






FIA HOMOLOGATION 8862-2009 (Advanced Racing Seat)

FIA HOMOLOGATION 8855-1999 (Competition Seat)

<b>Flexible sidemount*</b>		Weight: 10.7 kg		
For RECARO racing seat: <b>RECARO P1300 GT LW</b>				<b>MANUFACTURER: RECARO</b> <b>MODEL: P1300 GT LW</b> <b>HOM. NO: AS.082.19</b> <b>FIA STANDARD: 8862-2009</b>

<b>Pad Kit S</b>		<b>Lumbar pad</b>	
For RECARO racing seats: <b>RECARO P1300 GT LW</b> Pads for drivers of smaller build, 6-piece, without seat cushion		For RECARO racing seats: <b>RECARO P1300 GT LW</b> <b>RECARO Pro Racer SPA &amp; SPG</b> Upholstery: Velour black	

<b>Pad Kit M</b>		<b>Pad Kit helmet support</b>	
For RECARO racing seats: <b>RECARO P1300 GT LW</b> Pads for drivers of medium build, 11-piece, with seat cushion		For RECARO racing seats: <b>RECARO P1300 GT LW</b> Upholstery: Velour black	

<b>Pad Kit M Mid</b>		<b>Side support pad</b>	
For RECARO racing seats: <b>RECARO P1300 GT LW</b> Pads for drivers of medium build, 4-piece, with seat cushion		For RECARO racing seats: <b>RECARO P1300 GT LW</b> Upholstery: Velour black	


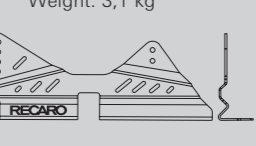

<b>Pad Kit L</b>	
For RECARO racing seats: <b>RECARO P1300 GT LW</b> Pads for drivers of larger build, 5-piece, with seat cushion	

FIA-HOMOLOGATION 8855-1999 (Competition Seat)

<b>Pad Kit M</b>		<b>Pad Kit L</b>	
For RECARO racing seat: <b>RECARO Podium</b> 10-piece Upholstery: Velours black Alcantara® black/Leather red Alcantara® red/Leather black		For RECARO racing seat: <b>RECARO Podium</b> 10-piece Upholstery: Velours black Alcantara® black/Leather red Alcantara® red/Leather black	

<b>High seat cushion</b>		<b>Lumbar pad</b>	
For RECARO racing seat: <b>RECARO Pro Racer SPG/SPA</b> Height: approx. 55 mm Upholstery: Velour black		For RECARO racing seats: <b>RECARO Pro Racer SPG/SPA,</b> <b>SPG/SPA XL</b> Upholstery: Velour black	

<b>FIA sidemount</b>		Weight: 2.6 kg		
For RECARO racing seats: <b>RECARO Podium CF</b>				<b>MANUFACTURER: RECARO</b> <b>MODEL: Podium</b> <b>HOM. NO: CS.456.20</b> <b>FIA STANDARD: 8855-1999</b>

<b>Sidemount Podium GF, ABE, FIA</b>		Weight: 3,1 kg		
For RECARO racing seats: <b>RECARO Podium GF</b>				<b>MANUFACTURER: RECARO</b> <b>MODEL: PODIUM GF</b> <b>HOM. NO: CS.498.22</b> <b>FIA STANDARD: 8855-1999</b>

<b>Aluminum sidemount</b>		Weight: 1.1 kg		
For RECARO racing seats: <b>RECARO Pole Position N.G. (FIA)</b> <b>RECARO Profi SPG XL</b> <b>RECARO Pro Racer SPA XL</b>				<b>MANUFACTURER: RECARO</b> <b>MODEL: Pole Position N.G. (FIA) /</b> <b>PROFI SPG XL / PRO RACER SPA XL</b> <b>HOM. NO: CS.319.14</b> <b>HOM. NO: CS.086.04</b> <b>HOM. NO: CS.461.20</b> <b>FIA STANDARD: 8855-1999</b>

<b>Steel sidemount</b>		Weight: 2.6 kg		
For RECARO racing seats: <b>RECARO Pole Position N.G. (FIA)</b> <b>RECARO Pro Racer SPG XL</b>				<b>MANUFACTURER: RECARO</b> <b>MODEL: Pole Position N.G. (FIA) /</b> <b>Pro Racer SPG XL</b> <b>HOM. NO: CS.319.14</b> <b>HOM. NO: CS.135.05</b> <b>FIA STANDARD: 8855-1999</b>

<b>Steel sidemount</b>		Weight: 2.0 kg		
For RECARO racing seats: <b>RECARO Profi SPG</b> <b>RECARO Pro Racer SPG/SPA</b>				<b>MANUFACTURER: RECARO</b> <b>MODEL: PROFI SPG /</b> <b>PRO RACER SPG /</b> <b>PRO RACER SPA</b> <b>HOM. NO: CS.011.00</b> <b>HOM. NO: CS.305.14</b> <b>HOM. NO: CS.460.20</b> <b>FIA STANDARD: 8855-1999</b>

<b>Steel sidemount</b>		Weight: 3.3 kg		
For RECARO racing seats: <b>RECARO Pole Position N.G. (FIA)</b>				<b>MANUFACTURER: RECARO</b> <b>MODEL: POLE POSITION N.G. (FIA)</b> <b>HOM. NO: CS.319.14</b> <b>FIA STANDARD: 8855-1999</b>

<b>Flexible sidemount</b>		Weight: 6.9 kg		
For RECARO racing seats: <b>RECARO Pro Racer SPG/SPA</b>				<b>MANUFACTURER: RECARO</b> <b>MODEL: PRO RACER SPG / PRO</b> <b>RACER SPA</b> <b>HOM. NO: CS.305.14</b> <b>HOM. NO: CS.460.20</b> <b>FIA STANDARD: 8855-1999</b>

<b>Flexible sidemount</b>		Weight: 7.7 kg		
For RECARO racing seats: <b>RECARO Pro Racer SPG/SPA XL</b>				<b>MANUFACTURER: RECARO</b> <b>MODEL: PRO RACER SPG XL /</b> <b>PRO RACER SPA XL</b> <b>HOM. NO: CS.135.05</b> <b>HOM. NO: CS.461.20</b> <b>FIA STANDARD: 8855-1999</b>

\* The sidemounts are designed for a ground angle of 8.5°. Adjustments may be required during installation depending on the manufacturer and ground group. (130 mm longitudinal adjustment, inclination angle variable by max. 3° during mounting)  
 \*\* The sidemounts are designed for a ground angle of 8.5°. Adjustments may be required during installation depending on the manufacturer and ground group.



# RECARO SYMBOLS

## USE



Seat for GT vehicles



Seat for touring cars



Seat for rally vehicles

## CUSTOM DRIVER COMFORT



Lumbar support



Flexible sidemount (fore-aft adjustment), ideal for racing use with change of driver



Replaceable pads (S/M/L), individually adjustable to the driver's build



Replaceable pads (M/L), individually adjustable to the driver's build



XL seat – ideal for people of large build



Passive seat air conditioning

## LIGHTWEIGHT CONSTRUCTION



Seat made of lightweight composites



Seat shell made of carbon fiber reinforced plastic



Seat shell made of carbon and aramid fiber reinforced plastic



Seat shell made of glass fiber reinforced plastic

## SAFETY MOTORSPORT



Suitable for 4-, 5- und 6-point belt



Racing seat with shock-absorbing foam



FIA homologation for 5 years



FIA homologation for 10 years



Racing seat optimized for the HANS system

## SAFETY ROAD USE



Seat with ABE (German general type approval)/ component certification



Suitable for 3- and 4-point belt



### FIA-approved racing seat or sidemount.

The new 'FIA Approved' logo indicates which product from the respective manufacturer is approved under which official homologation number according to the FIA standard.

**MANUFACTURER:** Information about the manufacturer

**MODEL:** Product designation

**HOM. NO:** Number under which the product is homologated

**FIA STANDARD:** Information about the approved FIA standard

RECARO Automotive  
Stuttgarter Strasse 73  
73230 Kirchheim/Teck  
Germany

Phone: +49 7021 93-5000

E-mail: [info@recaro-automotive.com](mailto:info@recaro-automotive.com)  
Internet: [www.recaro-automotive.com](http://www.recaro-automotive.com)  
[shop.recaro-automotive.com](http://shop.recaro-automotive.com)

