

RECARO

A DRIVE UNLIKE ANY OTHER

RECARO aftermarket car seats





WE PUT YOUR SENSES IN THE DRIVING SEAT.

Wilhelm Reutter founded his body shop in 1906. Ever since, we've been obsessed with custom mobility, and Reutter's passion lives on in the first two letters of our brand as well as in everything we do. We're all about making driving safer, more comfortable and more controlled – a driving experience that you can really feel. We put people first. Every time. We're equally obsessed with motorsport. Whatever record you broke yesterday, you aspire to beat it today. That's why we're constantly looking for ways for you to shave a little time off your next lap – safely. Winning is one thing. But to be a champion, you need to keep learning and developing.

Our seats are more than just a set of components. They're made of innovation, quality, premium materials, craftsmanship and a serious passion for cars. From the ultimate in comfort and ergonomics to uncompromising sporting flair, our products are as diverse and exacting as the individuals who buy them. And always in the quality you expect from RECARO. Choose cutting-edge performance that puts you in the driving seat.

Enjoy the ride!





FORGING INNOVATION SINCE 1906.

For over 110 years, our products have combined innovation, quality and craftsmanship. Every detail counts, right down to the last millimeter.

RECARO has been setting new standards for over 50 years. Our roots go way back to the Stuttgarter Carosserie- u. Radfabrik founded in 1906 by master saddler Wilhelm Reutter. The company developed and produced car bodies for all major manufacturers, including the interior fittings, so seat specialization was the next logical step. In 1963, REutter CAROserie became seat specialist RECARO.

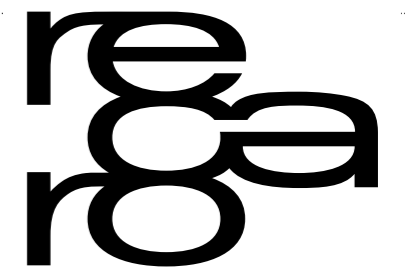
In 1965, RECARO unveiled its "sports seat," the very first of its kind. The automotive seating revolution had begun! Just two years later, the RECARO rallye became the first road-legal shell seat. The success story continued with countless pioneering milestones in comfort, safety and lightweight construction.

Innovation is second nature to us, and RECARO Automotive Seating dominates the car seating industry to this day. What's more, we're already shaping its future. The RECARO seats of tomorrow will take the unique RECARO driving experience to a new level on both the road and the race track.

Did you know that in 1950, the body and interior of the first Porsche 356 sports car was built at the first Reutter plant? In 1963, Reutter sold its second bodywork plant in Stuttgart's Zuffenhausen district to Porsche, and began focusing on its core business of seating under a new name – RECARO.



Our first ads under a new name.



Founded in 1963, the new "car seating company" emerged under the name RECARO, a play on words combining REutter and CAROserie, the old German word for car body.

In 1965, RECARO unveiled its *sports seat* at the International Motor Show in Frankfurt, revolutionizing car seating. The new model was an instant hit. No wonder, as even then, it epitomized a fusion of functionality, ergonomics and esthetics that RECARO now calls "Ingenious Design." Continuously developed ever since, this RECARO DNA characterizes every single one of our products.



1906

Master saddler Wilhelm Reutter starts on the development and production of car bodies, interior fittings and vehicle seats for automobiles, both in custom production and small batches, at his "Stuttgarter Carosserie-u. Radfabrik" body plant.



1920s/1930s

The company produces car bodies and interior fittings for all major car manufacturers. Precursors and prototypes of the Volkswagen (later Beetle) are also manufactured by Reutter on behalf of the Porsche design studio.



1950s

Car bodies, interior fittings and seats for the Porsche 356 go into production at Reutter in Stuttgart. By 1965, the company has built around 60,000 vehicles. Development and subsequent production of reclining seat mechanisms begins.



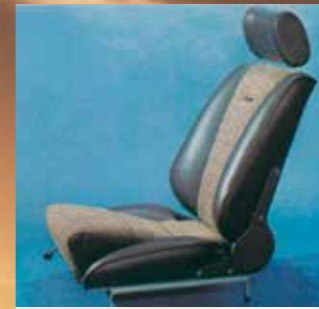
1965

Launch of the RECARO **sports seat**. The world's first retrofit seat for automobiles is characterized by its revolutionary foam upholstery and distinctive side bolsters.



1967

The "RECARO **shell seat**" is RECARO's first road-legal full shell seat. It raises the bar in safety, lightweight construction and comfort with a body-hugging seat shell, adjustment options and foam upholstery.



1969

The previous RECARO sports seat is renamed the "RECARO **Idealsitz**." At the same time, RECARO introduces a new trademark, which has remained unchanged to this day.



1971

A world first: RECARO unveils the first vehicle seat with an **integrated seat belt** – the RECARO safety seat.



1973

RECARO is the first manufacturer to offer the **anti-submarining** seat upholstery guide, which prevents the occupant from slipping under the belt in the event of an accident. Also making its car seat premiere is RECARO's **extendable seat cushion**, an added comfort feature for tall drivers.



1974

For the world elite in touring car motorsport, RECARO launches its first **racing seat** with a super sturdy double shell made of the fiber-reinforced composite Kevlar – for top-level safety and low weight (6.5 kg).



1977

The new RECARO Airmatic® pneumatic **lumbar support, adjustable side bolsters** on the seat cushion and backrest and RECARO's first **electrically adjustable backrest** significantly improve adaptability to individual requirements.



1977

Acoustic comfort: under the name RECAROfonie, the company launches a seat with **stereo loudspeakers** integrated in the headrest.



1981

RECARO enters the world of **commercial vehicle seats**, unveiling the first driver's seat with a shock-cushioning system.



1984

A seat that remembers. The RECARO CSE comfort seat is the first to have a **memory function**.



1986

The first seat for taxi drivers, the RECARO T-Line, boasts **breathable upholstery**.



1989

Innovation in novel materials: The RECARO A8 sports seat comes with a back shell made of **plastic**.



1990

Cool cabbies: The company introduces the RECARO taxi seat, the first **car seat with ventilation** (RECARO Vent System®).



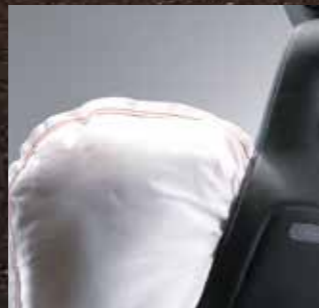
1991

The RECARO Variomed is the world's first vehicle seat with **asymmetrical adjustment options**.



1995

The world's first racing shell with **head protection**. RECARO's new Pro Racer racing shell revolutionizes safety standards in professional motorsport.



2004

RECARO unveils the **world's first retrofit universal side airbag seat** with ABE for different vehicle models.



2005

RECARO becomes the world's first seat manufacturer to revolutionize seating design with its new **lightweight composite shell**.



2009

To this day, it remains the **world's lightest retrofit seat with ABE (German general type approval)**: the newly unveiled RECARO Pole Position Carbon (ABE) weighs just 4.5 kg.



2013

RECARO Automotive Seating unveils the P 1300 GT, the first **racing shell with fore-aft adjustment**, combining top-level safety with tailored comfort.



2019

Premiere of the limited edition RECARO Sportster CS **„Nürburgring-Edition“**.



2019

RECARO introduces the particularly robust seat range for **off-road use**: RECARO Cross Sportster ORV and RECARO Pro Racer SPG XL ORV.

EVERY INCH LUXURIOUS.

Hand-picked surfaces. Premium carbon. Exclusive leather. Perfect stitching that draws the eye along the side contour. A RECARO seat fuses style, superb materials and outstanding craftsmanship for unparalleled quality.

Only the perfect combination of color, form and manufacture meets RECARO's premium standards. It really is as comfortable as it looks! Ultra-light carbon, cutting-edge composites, and high-end foams and textiles complete our range of materials.

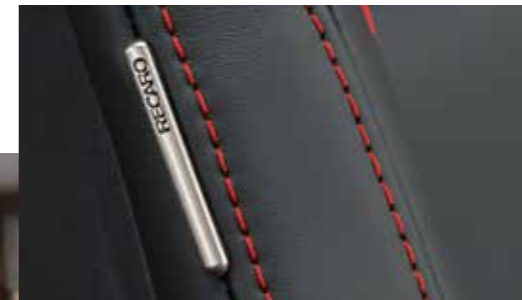
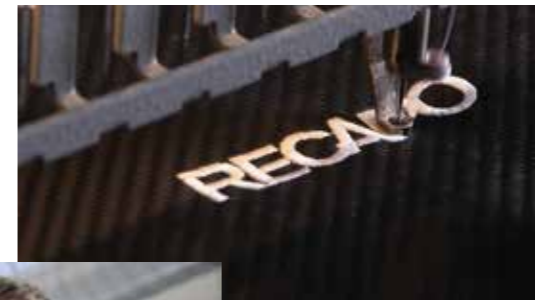
A great deal of traditional craftsmanship goes into our seats. From the seams and cushions to the superb finish, the finely honed skills of our craftsmen shine through. Not even the tiniest detail escapes their expert eye.



CUSTOM SEATS. TAILORED FOR PERFECTION.

A RECARO seat is like a tailor-made suit. It fits perfectly, effortlessly underlining your unique personality by combining elegance, premium quality and individual style. Only products made with passion and skill make you feel this special. Crafted to perfection using the finest materials and consistent down to the tiniest detail, they say it all.

RECARO is the brand for exclusive seats made precisely to your tastes. Alongside perfect fit, they boast intelligent design that combines the ultimate in functionality, ergonomics and looks. RECARO seats are available in a wide range of upholstery materials and colors. You can even request custom or OEM materials! We'll tailor your new seats to suit your personal preferences.



Frank Beermann
Chief Engineer Industrial Design
RECARO Automotive Seating

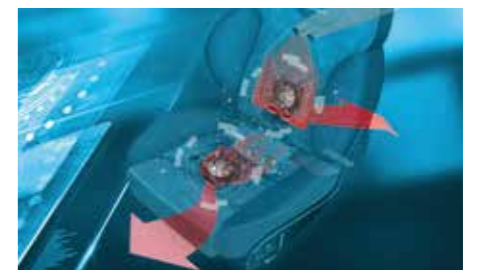
"The function of a product determines its form.

As RECARO designers, our top priority is ergonomics – it's all about the person in the seat:

Form follows human."

UNCONDITIONAL COMFORT.

From the heat of high summer to a frosty winter's morning, the right temperature is essential for truly comfortable seating. So RECARO came up with an ingenious system. For hot weather, the seat has a breathable membrane and air conditioning system to wick away moisture, keeping you comfortably dry, but never cold. When temperatures drop below zero, RECARO seat heating keeps you pleasantly warm.



MAKE YOURSELF AT HOME.

An ergonomic sitting position also means a comfortable position. Driving your car should feel like a relaxing visit to the spa after a stressful week. With a range of smart comfort features and perfect seat contours that support your body, we make every journey an experience to savor.



"RECARO is the best seat in the world. The RECARO Pole Position looks incredible and is amazingly comfortable on long journeys."

Jean Pierre Kraemer
Tuner, TV presenter and CEO of JP Performance



A professional's workplace: Many truck and bus drivers spend eight hours a day behind the wheel and cover hundreds of thousands of miles every year. They put their trust in our safe, comfortable commercial vehicle seats.

This support is vital, as being behind the wheel forces you to sit passively – one of the worst possible positions for your body. Depending on the route, driving style and road surface, factors like centrifugal force, deceleration and vibrations come into play, which is why many drivers complain of muscle tension, circulatory problems, headaches or concentration issues on long journeys.

A good car seat has to compensate for these factors with support and protection: an ergonomic seat structure, body-hugging contours, firm upholstery, pronounced side bolsters and finely-tuned adjustment options along with breathable covers, and comfort features such as heating or air conditioning.



SIT BACK AND RELAX.

8,164

hours. That's the average time a person spends in a vehicle during their lifetime.

You know the feeling all too well. You get into your car, eat up the miles, and arrive seized up and stressed out – just in time for the next meeting. Sitting, sitting and more sitting. With RECARO, you step out of your car feeling relaxed and ready for whatever work can throw at you, even after a long journey. That's because our seats work around your needs. Because we're experts in ergonomic design

IF YOUR BACK COULD CHOOSE IT WOULD CHOOSE RECARO.

Mobility is synonymous with modern society. More and more people are spending more and more of their time in the car. For many drivers, it's their workplace. The seal of quality from AGR e.V, the German Campaign for Healthier Backs, helps drivers choose back-friendly products. The RECARO Ergomed E, Ergomed ES and the RECARO Style Topline XL carry the AGR seal. For more information, please visit:

www.agr-ev.de/en/back-friendly-products/back-friendly-products/2903-carseats



PEAK BODY SUPPORT PERFORMANCE.

Did you ever test a RECARO seat? Then you know how good it feels. It fits like a glove. And you feel like you're sitting IN the seat and not ON it. This is what all RECARO models have in common. We call it Body Support.

With a RECARO seat where man meets machine, the road becomes a playground that gives you instant feedback all the way. It boasts a low center of gravity, firm, compact upholstery, and the necessary freedom of movement for the arms. The result: controlled cornering, and a driving

experience that you can sit back and relish. Its snug, supportive seat structure and side bolsters for excellent shoulder and torso support stabilize the body against lateral forces, cocooning it like a second skin. Feel the difference!



Sidney Hoffmann
Tuner, TV presenter and
CEO of
SIDNEY INDUSTRIES



"I love RECARO, and I'm a big Pole Position fan. It's the ultimate seat, especially when it comes to saving weight. The carbon shell is a dream come true."



Vaughn Gittin Jr.
Formula Drift and
Ultra4 champion

"RECARO's constant innovation to keep racers

and enthusiasts safe and comfortable – no matter

our choice of fun from behind the wheel – is something

I am very grateful for. There is no question RECARO's

effort and passion has saved me from

serious injury on more than one occasion,

both on and off-road."



DYNAMIC DRIVING EXPERIENCE.

Everything under control? The driver's seat plays a key role in this, especially if your driving style is sporty. The better your sitting position, the sharper your reactions and the more fully you have the vehicle under control. RECARO builds seats that support the body perfectly so that you can drive with greater concentration and safety. When developing sports seats for the road, we draw on our many years of experience and innovation in motorsport.

AWARD WINNING

SIMPLY THE BEST.



Countless RECARO fans have voted for their favorite brand in recent years: 14 x winner in the "auto motor und sport" Best Brand readers' poll, 12 x "sport auto" Best Brand, 5 x "Auto Bild" Best Overall Brand, and many more prestigious awards. This is a special honor for which we would like to say thank you. You inspire us to keep reaching for the stars.



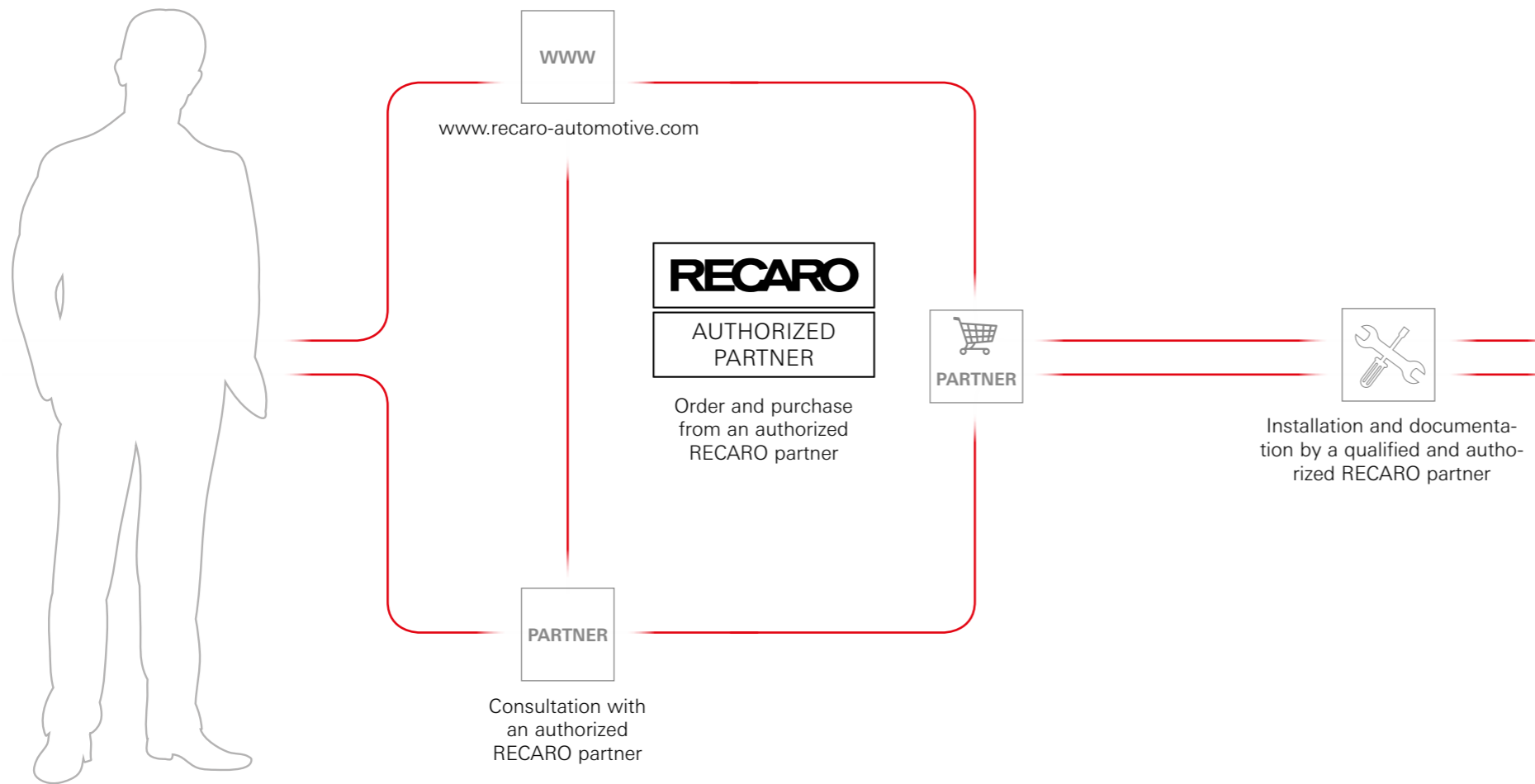
THE GO TO INDUSTRY PARTNER.

RECARO fitted as standard

With many car manufacturers, it's often worth looking at the options and equipment lists to make sure that your new car comes with RECARO seats. The international automotive industry has put its trust in RECARO from the day the brand was born. Our customers value both the renowned quality of our products and our innovative prowess. We regularly join forces with vehicle manufacturers to develop custom solutions, be it for special editions, performance vehicles or exclusive premium cars.

YOUR RECARO SEAT STARTS HERE.

Your custom RECARO seat experience is just a few steps away. Take your time and begin by asking yourself a few questions. What's crucial to me when I'm sitting in the car? What do I want from my RECARO seat? What should it look like? How does my passenger want their seat?



After getting an initial overview from this brochure or a visit to our website, we always recommend a personal consultation with an authorized RECARO partner. They will listen to your personal criteria and find the perfect solution. Round off your visit by trying out your favorite seat model.

Please note that the installation of RECARO seats in your car requires special baseframes to ensure a perfect, secure fit. Our partners will be happy to help.

THE RECARO SYSTEM.

German general type approval (ABE)/TÜV component certification requires a RECARO baseframe or RECARO sidemounts. Please consult your service partner for more information.



PREMIUM COMFORT ←

→ SPORTY PERFORMANCE

OVERVIEW OF CAR SEAT RANGE AFTERMARKET SEATS



RECARO Ergomed ES



RECARO Orthoped



RECARO Expert S, M



RECARO Expert Houndstooth



RECARO Specialist S, M



RECARO Speed V

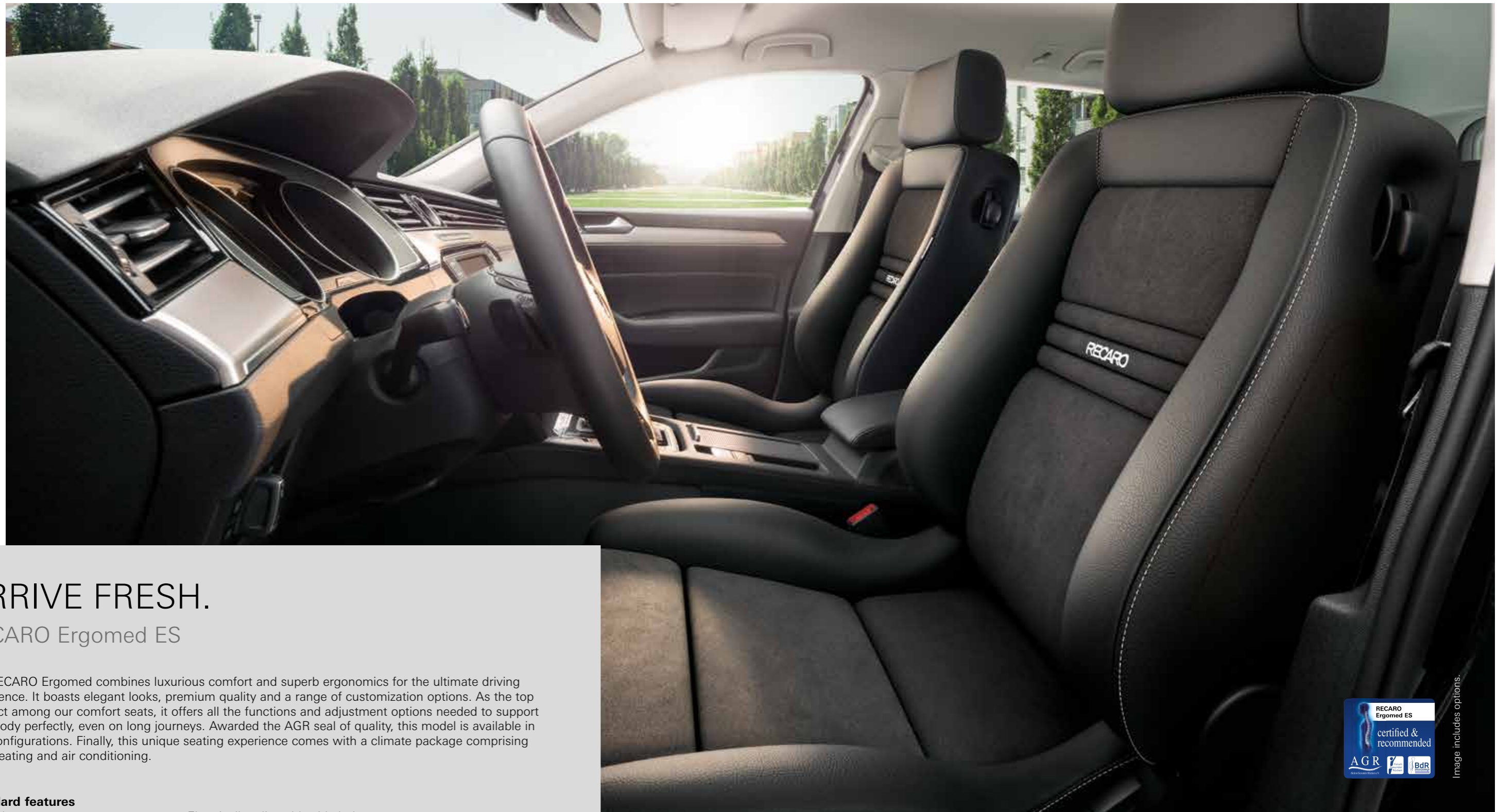


RECARO Cross Sportster ORV



RECARO Sportster GT

	RECARO Ergomed ES	RECARO Orthoped	RECARO Expert S, M	RECARO Expert Houndstooth	RECARO Specialist S, M	RECARO Speed V	RECARO Cross Sportster ORV	RECARO Sportster GT
TAILORED COMFORT	Lumbar support	●	●	● Paddable	● Paddable	● Paddable		
	Extendable seat cushion	●	●	● M	●			
	Adjustable side bolsters, seat cushion	● Electric						
	Adjustable side bolsters, backrest	● Electric	● Electric	●				
	Height adjustment, electric	●						
	Tilt adjustment, manual							
	Tilt adjustment, electric	●						
	Backrest adjustment, manual			●	●	●	●	●
	Backrest adjustment, electric	●	●	○		●		
	Adjustable headrest	●	●	●	●	●		
	Climate package (heating and air conditioning)	●	●					
	Seat heating							
	AGR certified (German Healthier Backs Campaign)	●						
	Easy Access		●	● M	●	● M		●
Selection of modular seat cushions			●	●	●			
Backrest release on both sides	●	●	●	●	●			
SAFETY	Highly fire-resistant upholstery	●	●	●	●	●	●	●
LIGHTWEIGHT CONSTRUCTION	Composite materials						●	●
SPORTY PERFORMANCE	Integrated headrest					●	●	●
	Suitable for 3-, 4- or 5-point belts					● / ○ Option for 5-point belt	●	● / ○ Option for 5-point belt
	Special lateral support in the backrest area					●	●	●
	Special lateral support in the seat cushion area					●		●
	Specially formed shoulder support					●	●	●
	Dynamic ride performance					●	●	●
	Slim design						●	●



ARRIVE FRESH.

RECARO Ergomed ES

The RECARO Ergomed combines luxurious comfort and superb ergonomics for the ultimate driving experience. It boasts elegant looks, premium quality and a range of customization options. As the top product among our comfort seats, it offers all the functions and adjustment options needed to support your body perfectly, even on long journeys. Awarded the AGR seal of quality, this model is available in two configurations. Finally, this unique seating experience comes with a climate package comprising seat heating and air conditioning.

Standard features

- + Lumbar support
- + Extendable seat cushion
- + Electric height adjustment
- + Easy-to-operate switch pack
- + Backrest release on both sides
- + Adjustable headrest
- + Seatback pocket
- + Electrically adjustable side bolsters on backrest and seat cushion
- + Electric tilt adjustment
- + Electric backrest adjustment
- + RECARO climate package (heating and air conditioning)



Image includes options.

RECARO Ergomed ES upholstery options



Leather black
Artista black

Leather black



THE SCIENCE OF SITTING.

RECARO Orthoped

The RECARO Orthoped is designed with the ultimate focus on the human body. It was developed by our ergonomic design experts for the most discerning drivers who have special requirements when it comes to supporting their spine. Users will love its custom-paddable shoulder support, electrically adjustable backrest side bolsters and multi-chamber lumbar support. Its flat seat cushion makes getting in and out a breeze. These features make the RECARO Orthoped perfect for high vehicles like SUVs.

Standard features

- + RECARO climate package (heating and air conditioning)
- + Electrically adjustable backrest side bolsters
- + Lumbar support
- + Extendable seat cushion
- + Easy-to-operate switch pack
- + Custom-paddable shoulder support
- + Electric backrest adjustment
- + Adjustable headrest
- + Backrest release on both sides
- + Easy Access to make it easy to get in and out



RECARO climate package



RECARO Orthoped upholstery options



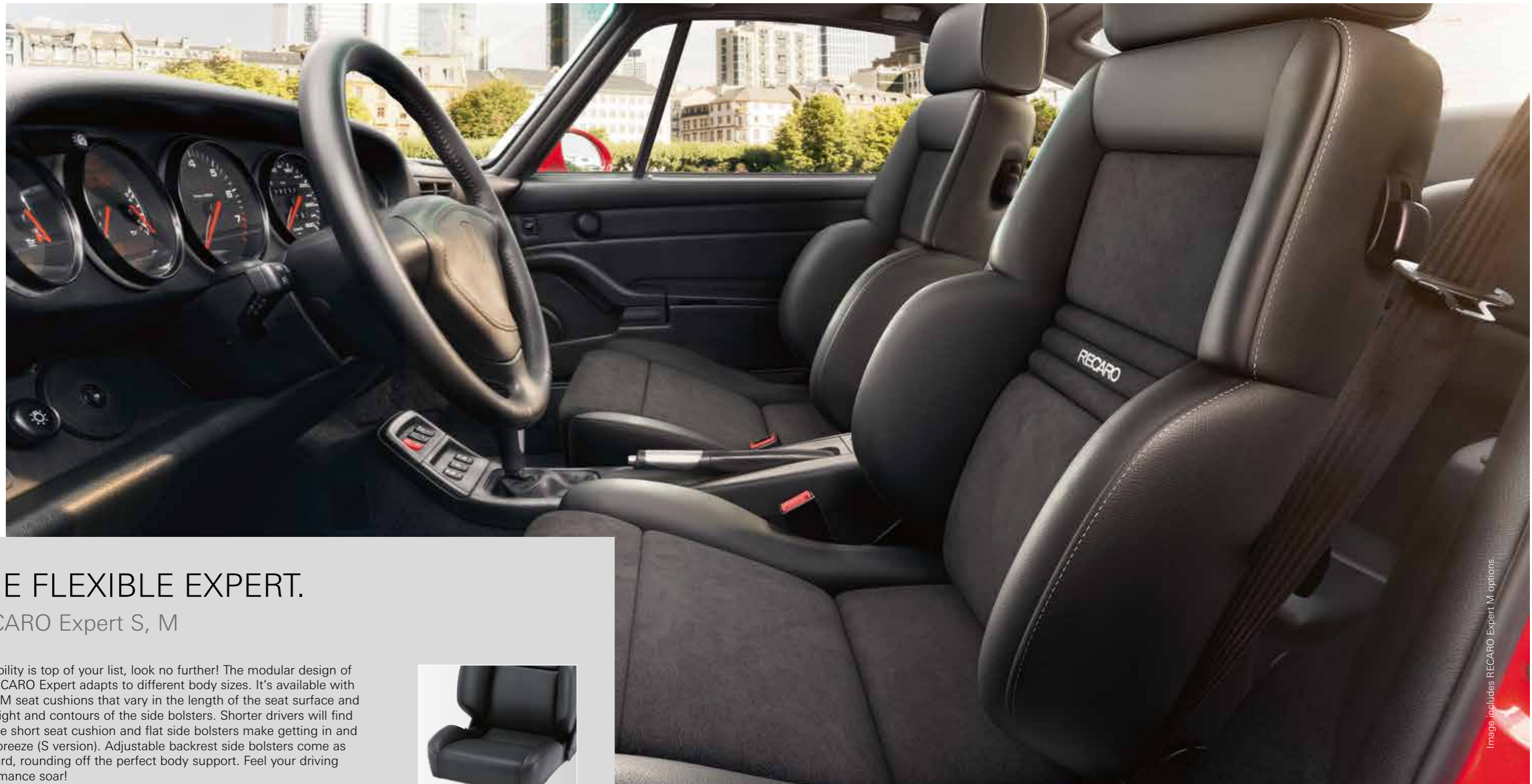
Nardo black
Artista black Nardo grey
Artista grey Leather black
Artista black



Leather black



Image includes options.



THE FLEXIBLE EXPERT.

RECARO Expert S, M

If flexibility is top of your list, look no further! The modular design of the RECARO Expert adapts to different body sizes. It's available with S and M seat cushions that vary in the length of the seat surface and the height and contours of the side bolsters. Shorter drivers will find that the short seat cushion and flat side bolsters make getting in and out a breeze (S version). Adjustable backrest side bolsters come as standard, rounding off the perfect body support. Feel your driving performance soar!



RECARO Expert S

Standard features

- + Paddable lumbar support
- + Preformed side bolsters
- + Backrest adjustment on both sides
- + Adjustable headrest
- + Backrest side bolsters adjustable on both sides
- + Backrest release on both sides

RECARO Expert S

- + Seat cushion for people of small to medium build: short seat cushion with flat side bolsters

RECARO Expert M

- + Easy Access to make it easy to get in and out
- + Seat cushion for people of medium to large build: long seat cushion with less pronounced, very flat side bolsters
- + Extendable seat cushion



Leather black

Leather grey

RECARO Expert S, M upholstery options



Nardo black
Artista black

Nardo grey
Artista grey

Avus black

Nardo black

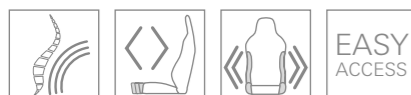
REACRO vinyl black

Leather grey
Artista grey

Leather black
Artista black

Leather beige

Image includes RECARO Expert M options.



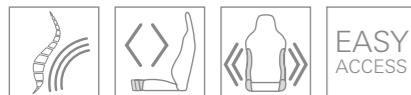
CLASSIC REFINEMENT.

RECARO Expert Houndstooth

In style, comfort and performance, RECARO Expert seats are a giant leap ahead of standard automotive seats. And our new Limited Houndstooth Edition features distinctive upholstery that will remind you of some of the world's great sports cars of past decades. No other seat manufacturer can rival the quality and handmade craftsmanship of real RECARO seats. Best of all, these seats, like all RECARO seats, have our proprietary and world-renowned ergonomic technology built in. The result is seats in your car that look great, feel great, are kind to your body, and leave you feeling refreshed after a long drive.

Standard features

- + Paddable lumbar support
- + Preformed side bolsters
- + Backrest adjustment on both sides
- + Adjustable headrest
- + Backrest side bolsters adjustable on both sides
- + Backrest release on both sides
- + Extendable seat cushion



RECARO Expert Houndstooth upholstery options



Nappa leather black
Fabric Houndstooth

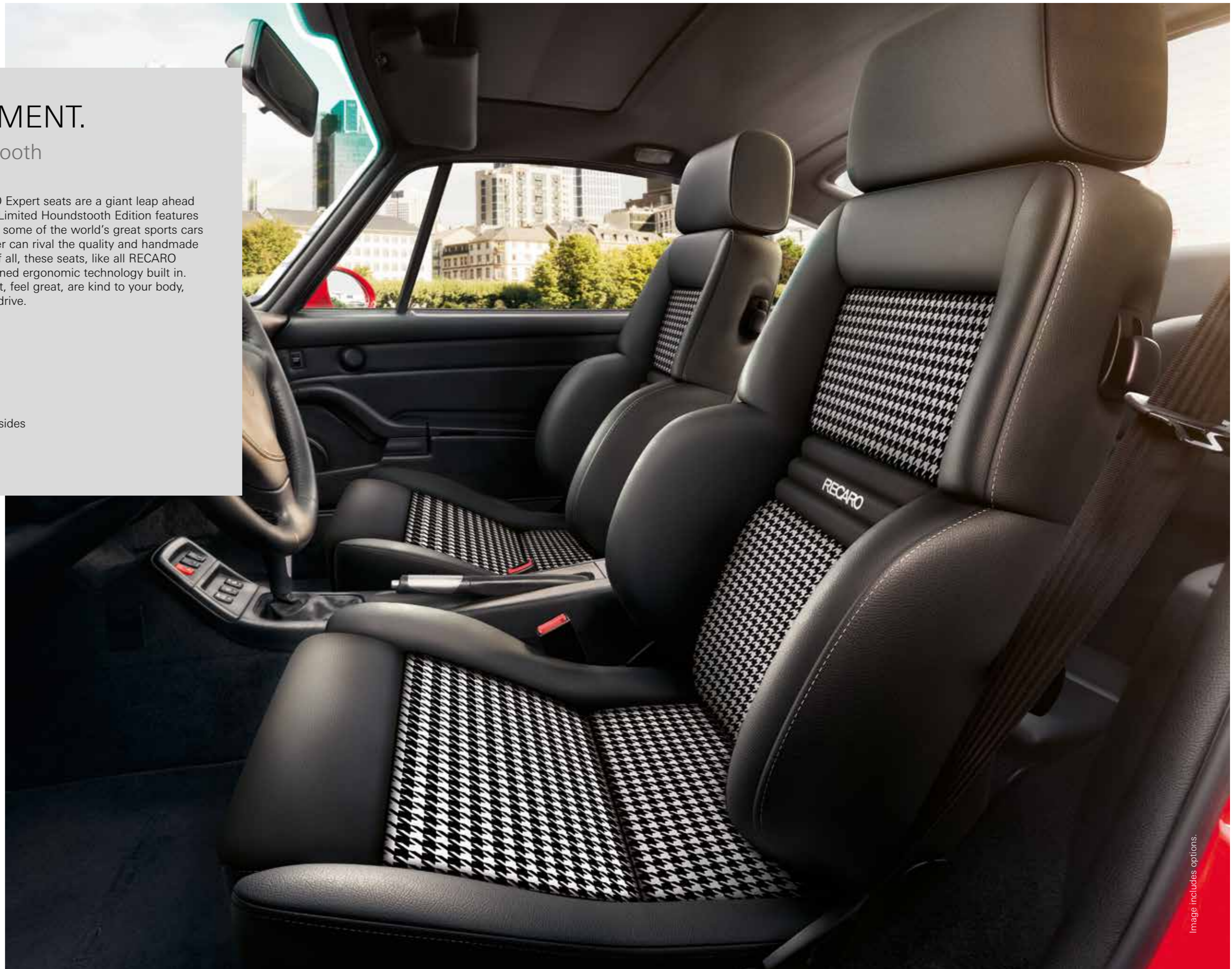


Image includes options.

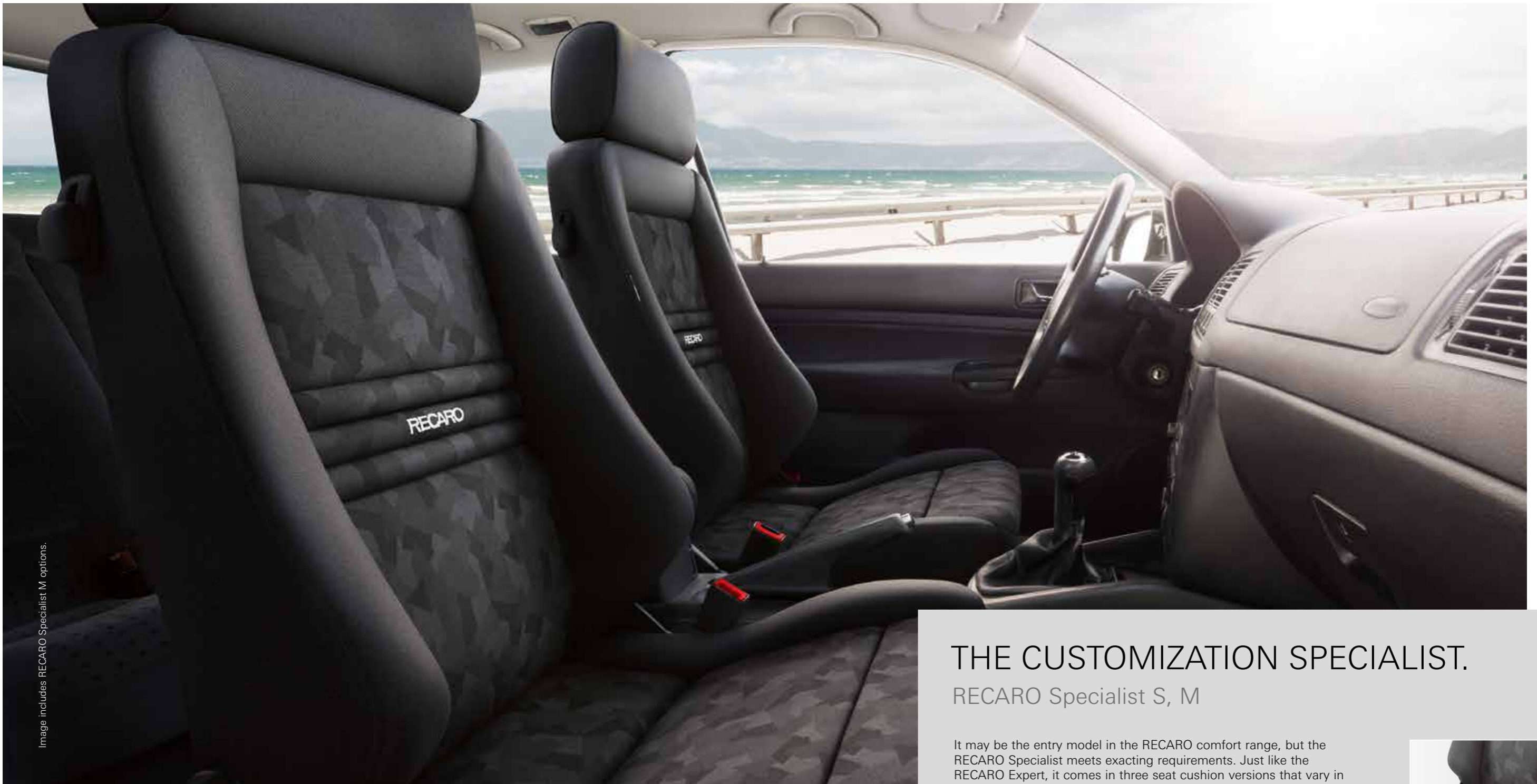


Image includes RECARO Specialist M options.

THE CUSTOMIZATION SPECIALIST.

RECARO Specialist S, M

It may be the entry model in the RECARO comfort range, but the RECARO Specialist meets exacting requirements. Just like the RECARO Expert, it comes in three seat cushion versions that vary in the length of the seat surface and the height and contours of the side bolsters. Shorter drivers will love the "S" version.



RECARO Specialist S

Standard features

- + Paddable lumbar support
- + Preformed side bolsters
- + Backrest adjustment on both sides
- + Adjustable headrest
- + Backrest release on both sides

Options

- (at additional cost)**
- + Armrest left, right or both; covered or uncovered to match your bolster trim

RECARO Specialist S

- + Seat cushion for people of small to medium build: short seat cushion with flat side bolsters

RECARO Specialist M

- + Easy Access to make it easier to get in and out
- + Seat cushion for people of medium to large build: long seat cushion with less pronounced, very flat side bolsters
- + Extendable seat cushion



Leather black



Leather grey

RECARO Specialist S, M, L upholstery options



Nardo black
Artista black



Nardo grey
Artista grey



Avus black



Nardo black



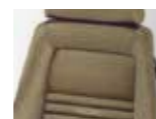
RECARO vinyl black



Leather grey
Artista grey

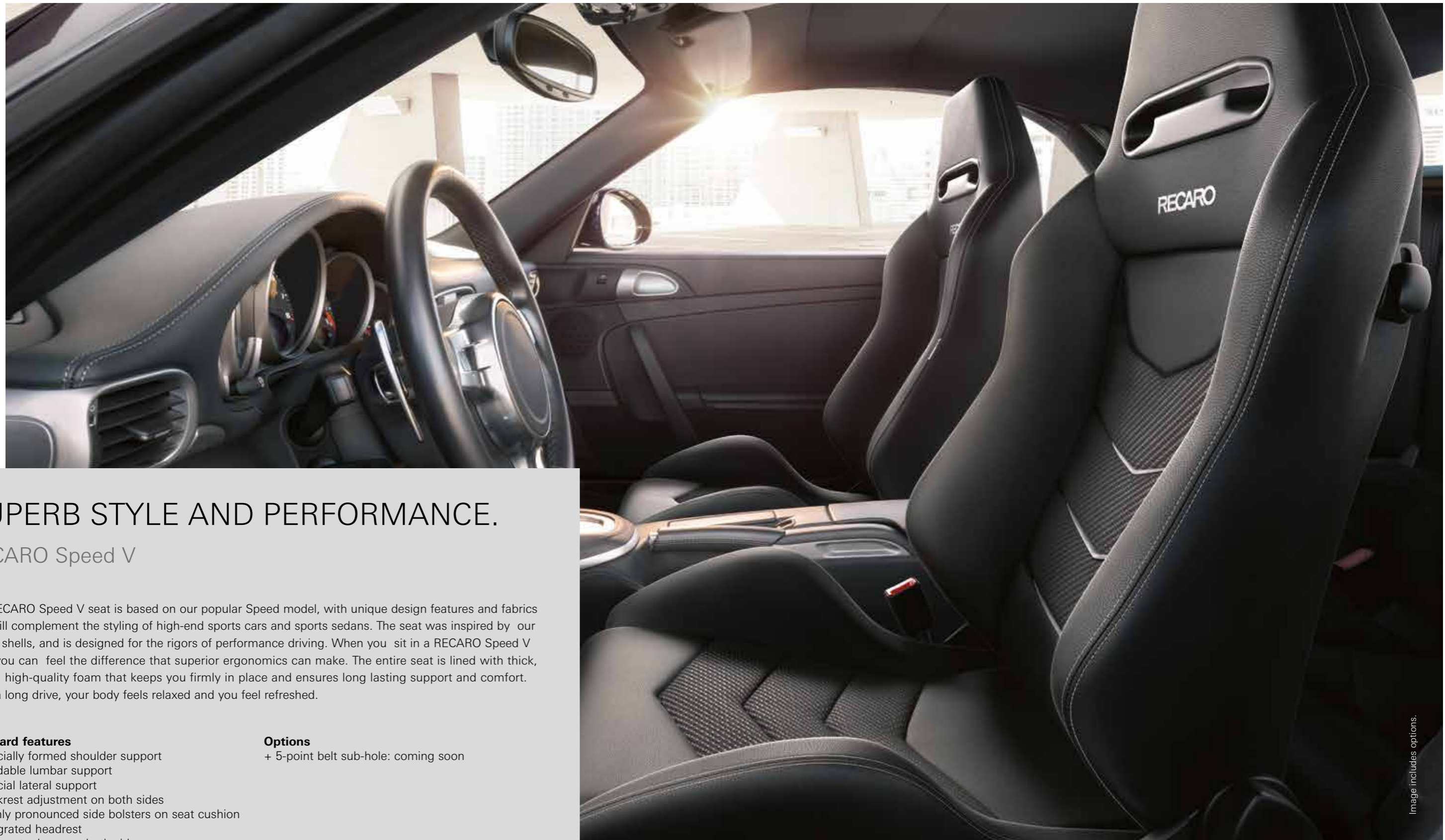


Leather black &
Artista black



Leather beige





SUPERB STYLE AND PERFORMANCE.

RECARO Speed V

The RECARO Speed V seat is based on our popular Speed model, with unique design features and fabrics that will complement the styling of high-end sports cars and sports sedans. The seat was inspired by our racing shells, and is designed for the rigors of performance driving. When you sit in a RECARO Speed V seat, you can feel the difference that superior ergonomics can make. The entire seat is lined with thick, dense, high-quality foam that keeps you firmly in place and ensures long lasting support and comfort. After a long drive, your body feels relaxed and you feel refreshed.

Standard features

- + Specially formed shoulder support
- + Paddable lumbar support
- + Special lateral support
- + Backrest adjustment on both sides
- + Highly pronounced side bolsters on seat cushion
- + Integrated headrest
- + Backrest release on both sides
- + Suitable for use with a 3-point belt
- + Flame-retardant materials

Options

- + 5-point belt sub-hole: coming soon

Image includes options.

RECARO Speed V upholstery options



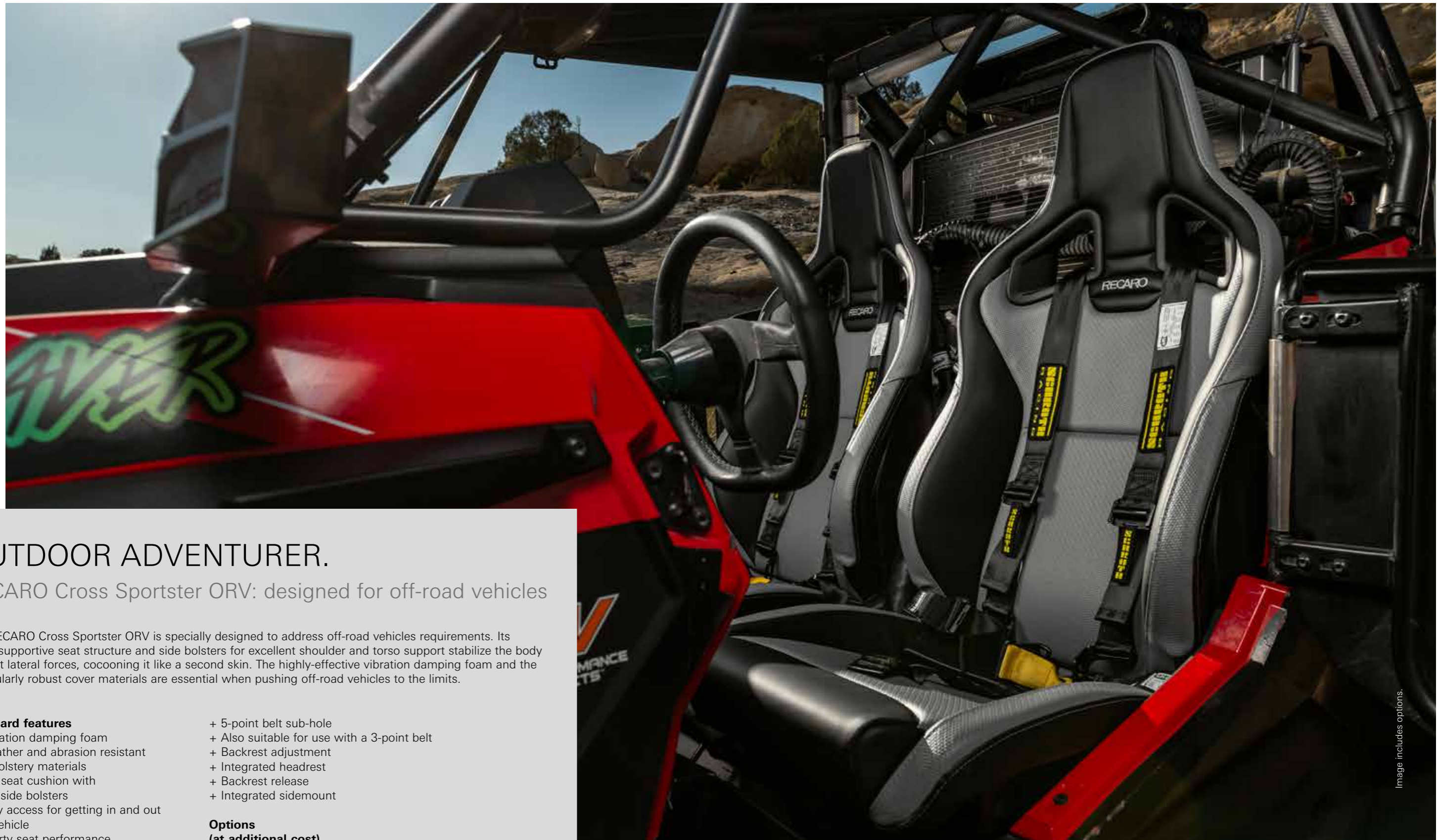
RECARO Speed V
grey

RECARO Speed V
red

RECARO Speed V
yellow

RECARO Speed V
blue





OUTDOOR ADVENTURER.

RECARO Cross Sportster ORV: designed for off-road vehicles

The RECARO Cross Sportster ORV is specially designed to address off-road vehicles requirements. Its snug, supportive seat structure and side bolsters for excellent shoulder and torso support stabilize the body against lateral forces, cocooning it like a second skin. The highly-effective vibration damping foam and the particularly robust cover materials are essential when pushing off-road vehicles to the limits.

Standard features

- + Vibration damping foam
- + Weather and abrasion resistant upholstery materials
- + Flat seat cushion with low side bolsters
- + Easy access for getting in and out of vehicle
- + Sporty seat performance
- + Specially formed shoulder support
- + Belt slots for 4-point belt and 5-point belt

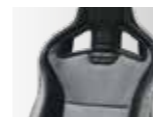
- + 5-point belt sub-hole
- + Also suitable for use with a 3-point belt
- + Backrest adjustment
- + Integrated headrest
- + Backrest release
- + Integrated sidemount

Options (at additional cost)

- + RECARO Track Kit

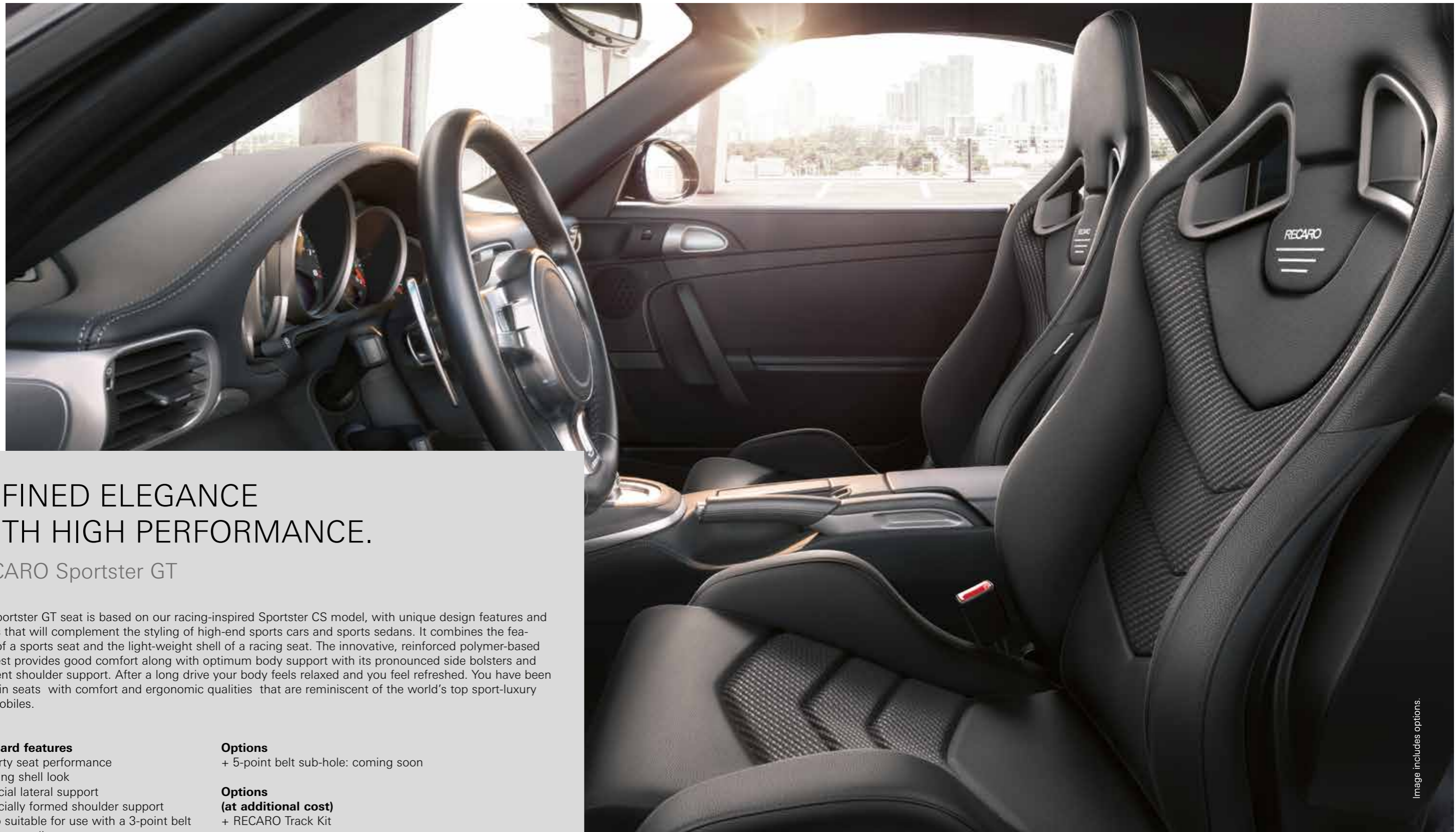
Image includes options.

RECARO Cross Sportster ORV upholstery options



RECARO vinyl black
Rhino vinyl grey

OFF ROAD	EASY ACCESS	LIGHT WEIGHT	3-/4-/ 5- POINT BELT
-------------	----------------	-----------------	----------------------------



REFINED ELEGANCE WITH HIGH PERFORMANCE.

RECARO Sportster GT

Our Sportster GT seat is based on our racing-inspired Sportster CS model, with unique design features and fabrics that will complement the styling of high-end sports cars and sports sedans. It combines the features of a sports seat and the light-weight shell of a racing seat. The innovative, reinforced polymer-based backrest provides good comfort along with optimum body support with its pronounced side bolsters and excellent shoulder support. After a long drive your body feels relaxed and you feel refreshed. You have been riding in seats with comfort and ergonomic qualities that are reminiscent of the world's top sport-luxury automobiles.

Standard features

- + Sporty seat performance
- + Racing shell look
- + Special lateral support
- + Specially formed shoulder support
- + Also suitable for use with a 3-point belt
- + Backrest adjustment
- + Integrated headrest
- + Backrest release
- + Integrated sidemount

Options

- + 5-point belt sub-hole: coming soon

Options (at additional cost)

- + RECARO Track Kit

Image includes options.

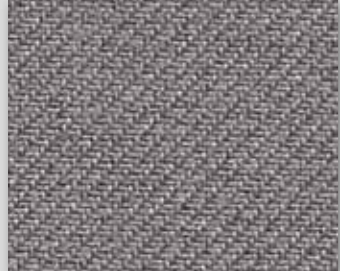
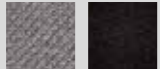


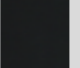
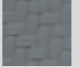

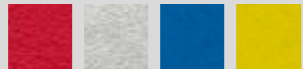


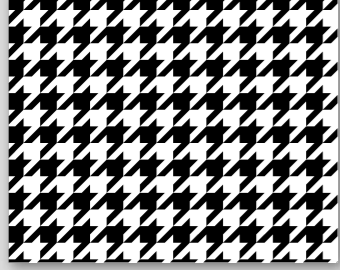

RECARO Sportster GT upholstery options



Black Blue Grey Red Leather/Fabrics black

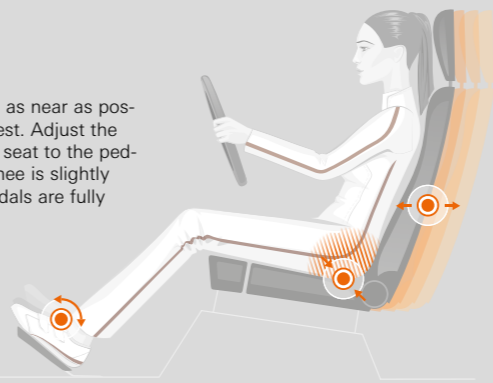
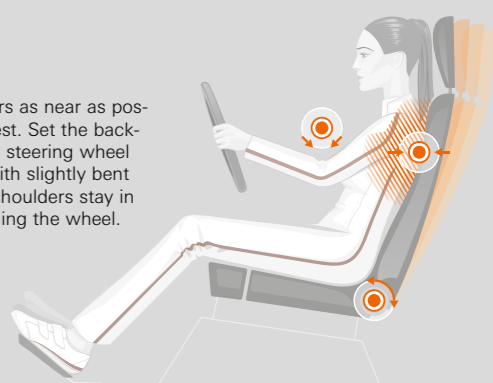
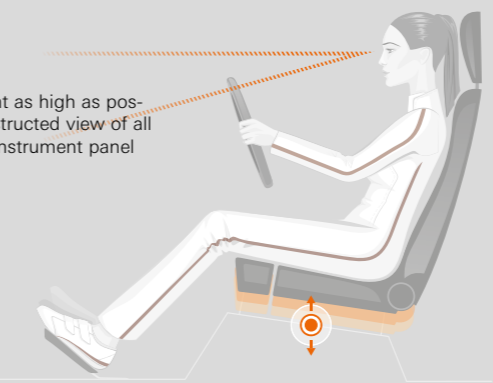
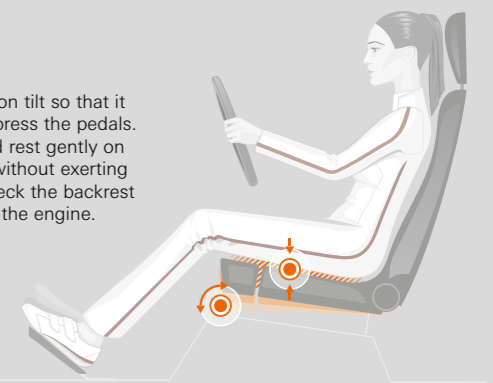
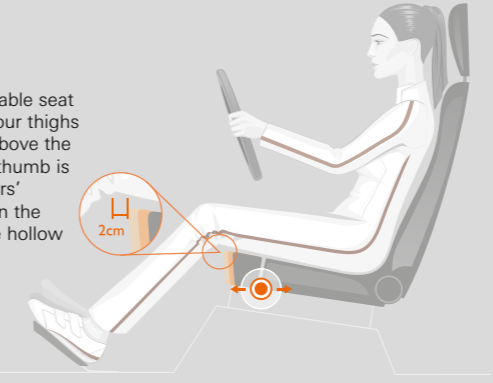
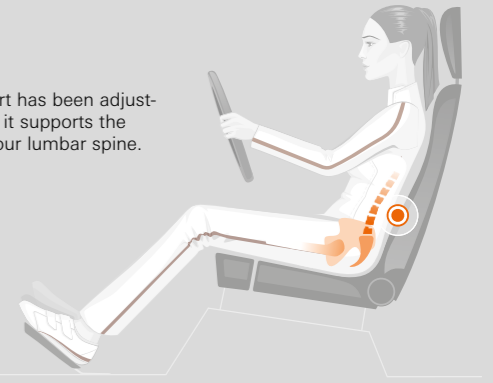
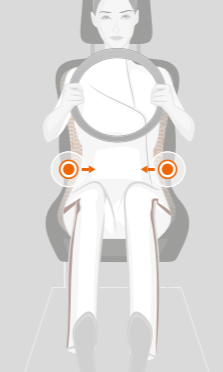
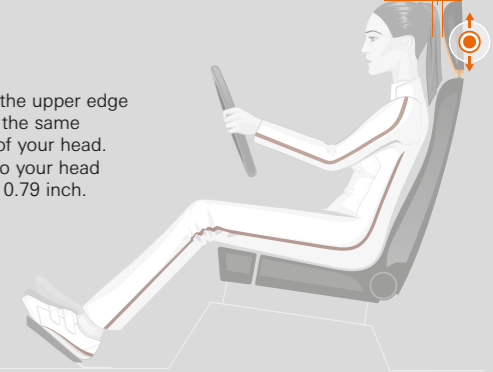
LIGHT WEIGHT 3-4- / 5- POINT BELT

RECARO UPHOLSTERY MATERIALS

 <p>Nardo: In combination with the Artista upholstery, this ultra-durable material keeps your side bolsters in perfect shape for a very long time.</p> <p>Nardo gray Nardo black</p> 	 <p>Artista: A timelessly elegant fabric for a refined interior. Guarantees longevity and durability.</p> <p>Artista gray Artista black</p> 
 <p>RECARO leather: RECARO leather is a high-quality natural product designed for exacting requirements.</p> <p>Leather black Leather beige Leather grey</p> 	 <p>Nappa leather: Nappa leather is a soft and smooth leather designed for the highest demands.</p> <p>Nappa leather black</p> 
 <p>RECARO vinyl: RECARO vinyl is a high-quality, highly durable easy-care alternative to leather (meets FMVSS 302 for flammability).</p> <p>Vinyl black</p> 	 <p>Rhino vinyl (Camira): A weather and abrasion resistant upholstery material, specifically designed for demanding environments (meets FMVSS 302 for flammability).</p> <p>Rhino vinyl grey</p> 
 <p>Alcantara suede: This exclusive suede effect upholstery is highly durable and easy-care with a premium feel.</p> <p>Alcantara suede red Alcantara suede cloud grey Alcantara suede blue Alcantara suede yellow</p> 	 <p>Carbon weave: The Carbon Weave material is a distinct blend of black, grey and silver threads that offers a carbon fiber like appearance. The physical properties of this fabric are warranted to meet OEM Engineering Standards and enthusiasts vehicle theme demands.</p> 
 <p>Houndstooth: Distinctive upholstery that will remind you of some of the world's great sports cars of past decades.</p> 	

Notes: Customers may provide their own bespoke upholstery materials. These must be suitable and approved for use in the automotive sector. The seat air conditioning and heating functions may be restricted as a result. Current seat upholstery from selected automotive manufacturers is available on request (restrictions apply).

RECARO SEATING TRAINING

<p>1</p> <p>Push your bottom as near as possible to the backrest. Adjust the distance from the seat to the pedals so that your knee is slightly bent when the pedals are fully depressed.</p> 	<p>2</p> <p>Rest your shoulders as near as possible to the backrest. Set the backrest tilt so that the steering wheel is easy to reach with slightly bent elbows and your shoulders stay in contact when turning the wheel.</p> 
<p>3</p> <p>Set the seat height as high as possible for an unobstructed view of all sides and all the instrument panel displays.</p> 	<p>4</p> <p>Set the seat cushion tilt so that it is easy to fully depress the pedals. Your thighs should rest gently on the seat cushion without exerting pressure on it. Check the backrest tilt before starting the engine.</p> 
<p>5</p> <p>Adjust the extendable seat cushion so that your thighs rest on it to just above the knee. The rule of thumb is two to three fingers' clearance between the seat edge and the hollow of the knee.</p> 	<p>6</p> <p>The lumbar support has been adjusted correctly when it supports the natural curve of your lumbar spine.</p> 
<p>7</p> <p>The seat's side bolsters should fit snugly enough to support your upper body at the side without restricting it.</p> 	<p>8</p> <p>If possible, adjust the upper edge of the headrest to the same height as the top of your head. Tilt: The distance to your head should be approx. 0.79 inch.</p> 

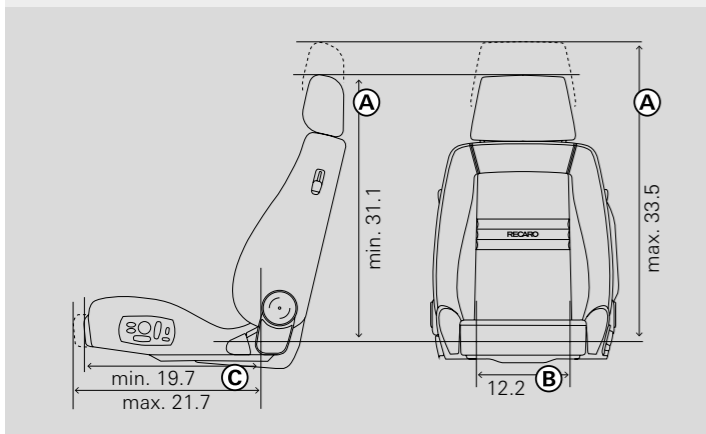
RECARO COMFORT DIMENSIONS

At RECARO, people are the focal point. With this in mind, here are some comfort dimensions to help you find the seat that's right for you. Comfort dimensions are the size factors that you feel when you're behind the wheel, and that have a direct influence on your comfort and performance. They are vital for comfortable sitting. But everyone is different

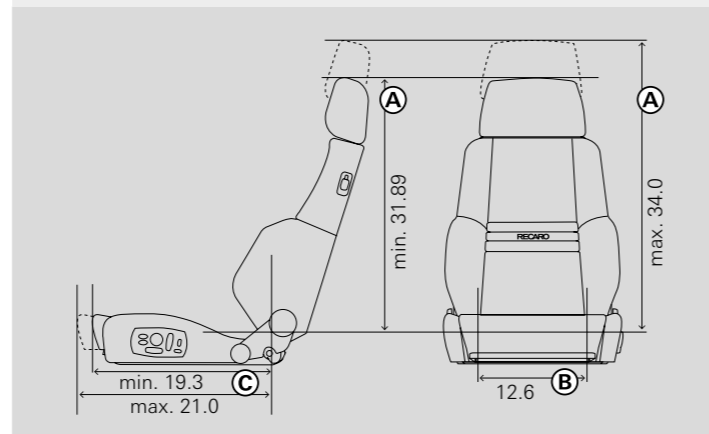
and has different preferences when it comes to comfort. We recommend testing our seats thoroughly at a RECARO service partner before buying.

The comfort dimensions are measured on the upholstery and seams. Small deviations cannot be excluded.

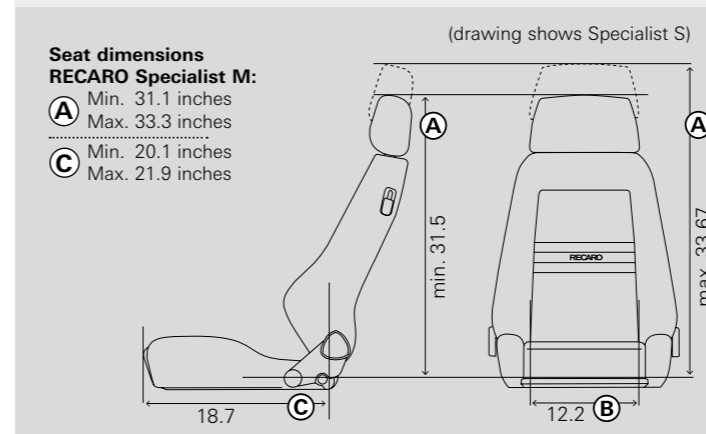
RECARO Ergomed ES



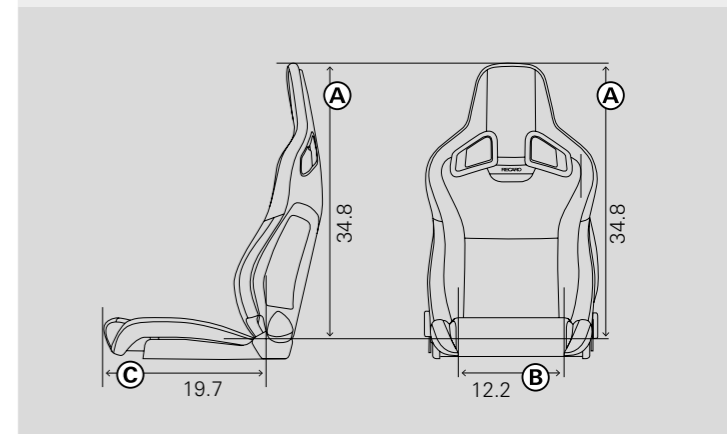
RECARO Orthoped



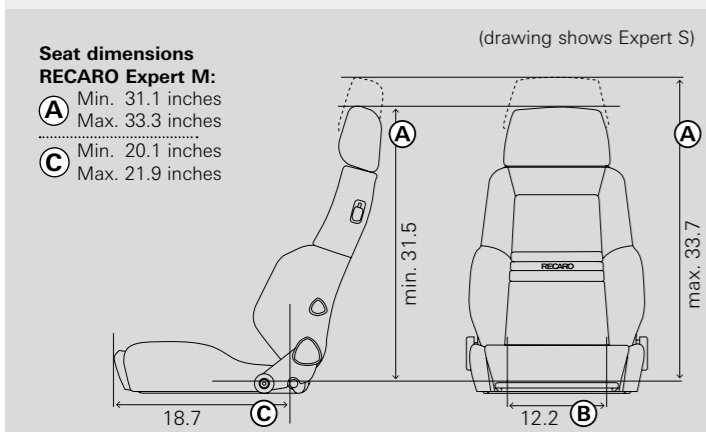
RECARO Specialist S, M



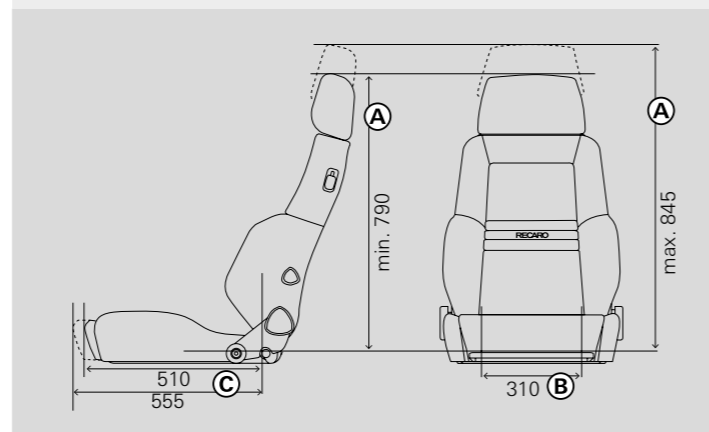
RECARO Cross Sportster ORV



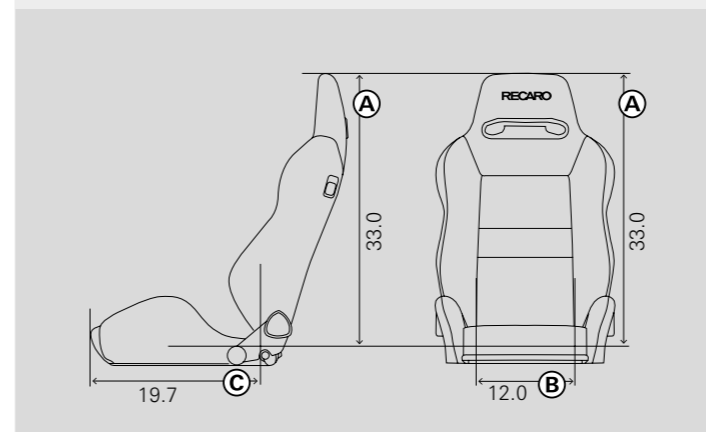
RECARO Expert S, M



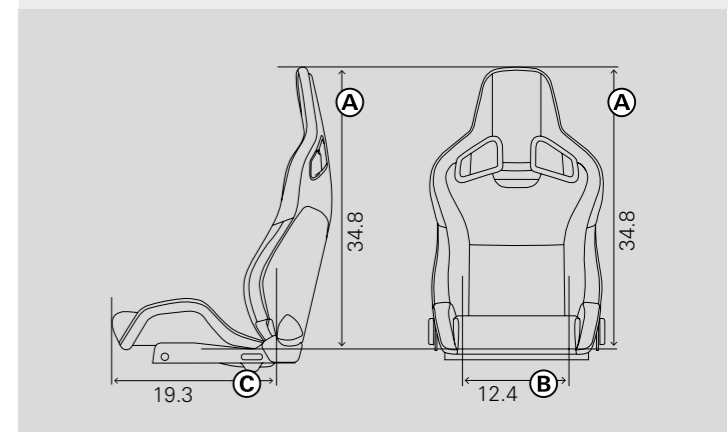
RECARO Expert Houndstooth



RECARO Speed V



RECARO Sportster GT



KEY FOR COMFORT DIMENSIONS:

- A:** Seat height
- B:** Seat width
- C:** Seat depth

Dimensions in inches, all dimensions ± 0.4 inch

NOTES:

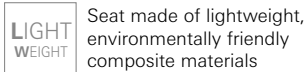
- Seats with adjustable backrest were measured at a backrest angle of 73 – 74°.
- The **seat height** indicates the vertical height of the backrest from the top of the headrest to the top of the seat cushion.
Seats with adjustable headrest:
Minimum dimension with retracted headrest. Maximum dimension with fully extended headrest.
- The **seat width** indicates the width of the seat cushion without side bolsters. This dimension was measured 4.7 inches in front of the bottom of the backrest.
- The **seat depth** indicates the total horizontal length of the seat cushion (from the front of the cushion to the bottom of the backrest).
Seats with extendable seat cushion:
Minimum dimension with retracted seat cushion. Maximum dimension with fully extended seat cushion.

RECARO SYMBOLS

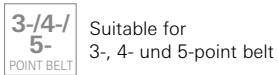
TAILORED COMFORT



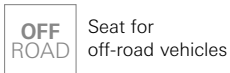
LIGHTWEIGHT CONSTRUCTION



SAFETY



USE



RECARO North America, Inc
49200 Halyard Dr
Plymouth, MI 48170
USA

Main: +1 734-254-4799

E-mail: aftermarket@recaro-automotive.com
Internet: www.recaro-automotive.com



NOVEMBER 2019
RECARO®, Ergomed®, Sportster CS® and Cross Speed® are registered trademarks of RECARO Beteiligungs-GmbH. Seat program for USA: this is subject to the statutory and legal guidelines applicable in the respective countries. We reserve the right to make changes to the technology, form, color and design of our products or to discontinue them. We accept no liability for printing errors.