

RECARO

SITTING SAFELY TO WIN SAFELY

The RECARO racing seats for motorsport



DRIVERS, TAKE YOUR SEATS!

Wilhelm Reutter founded his body shop in 1906. Ever since, we've been obsessed with custom mobility, and Reutter's passion lives on in the first two letters of our brand as well as in everything we do. We're all about making driving safer, more comfortable and more controlled – a driving experience that you can really *feel*. We put people first. Every time. We're equally obsessed with motorsport. Whatever record you broke yesterday, you aspire to beat it today. That's why we're constantly looking for ways to help you shave a little time off your next lap – safely. Winning is one thing. But to be a champion, you need to keep learning and developing.

Our seats are more than just a set of components. They're made of innovation, quality, premium materials, craftsmanship and a serious passion for cars. From the ultimate in comfort and ergonomics to uncompromising sporting flair, our products are as diverse and exacting as the individuals who buy them. And always of the quality you expect from RECARO. Choose cutting-edge performance that puts you in the driving seat.

Enjoy that ride!



FORGING INNOVATION SINCE 1906.

For over 110 years, our products have combined innovation, quality and craftsmanship. Every detail counts, right down to the last millimeter.



Founded in 1963, the new "car seating company" emerged under the name RECARO, a play on words combining REutter and CAROsserie, the old German word for car body.



RECARO has been setting new standards for over 50 years. Our roots go way back to the Stuttgarter Carosserie- u. Radfabrik founded in 1906 by master saddler Wilhelm Reutter. The company developed and produced car bodies for all major manufacturers, including the interior fittings, so seat specialization was the next logical step. In 1963, REutter CAROsserie became seat specialist RECARO.

In 1965, RECARO unveiled its "sports seat," the very first of its kind. The automotive seating revolution had begun! Just two years later, the RECARO rallye became the first road-legal shell seat. The success story continued with countless pioneering milestones in comfort, safety and lightweight construction.

Innovation is second nature to us, and RECARO Automotive Seating dominates the car seating industry to this day. What's more, we're already shaping its future. The RECARO

seats of tomorrow will take the unique RECARO driving experience to a new level on both the road and the race track.

Evolution and revolution – RECARO'S milestone developments in safety, comfort and lightweight engineering: 1974 – the first shell seat with an adjustable backrest; 1979 – the first Kevlar® super lightweight racing shell seat (less than 6.6 lb); 1995 – a world first: the first racing shell with head protection; 2002 – the first shell seat designed for the HANS driver protection system, and finally ... the first road-legal racing shell: the RECARO Pole Position (ABE) Carbon – at only 9.9 lb the world's lightest retrofit seat with ABE (German general type approval).

In 1965, RECARO unveiled its *sports seat* at the International Motor Show in Frankfurt, revolutionizing car seating. In 1967, we launched our first shell seat, followed by the RECARO *racing seat* in 1974 – the first thoroughbred for professional touring car competitions. Both were defined by body-hugging seat shells, built to RECARO's peerless standards in safety and lightweight construction.



1906

Master saddler Wilhelm Reutter starts the development and production of car bodies, interior fittings and vehicle seats for automobiles, both in custom production and small batches, at his "Stuttgarter Carrosserie- u. Radfabrik" body plant.



1920s/1930s

The company produces car bodies and interior fittings for all major car manufacturers. Precursors and prototypes of the Volkswagen (later Beetle) are also manufactured by Reutter on behalf of the Porsche design studio.



1950s

Car bodies, interior fittings and seats for the Porsche 356 go into production at Reutter in Stuttgart. By 1965, Reutter has built around 60,000 vehicles. Development and subsequent production of reclining seat mechanisms begins.



1965

Launch of the RECARO **sports seat**. The world's first retrofit seat for automobiles is characterized by its revolutionary foam upholstery and distinctive side bolsters.



1967

The "RECARO **shell seat**" is RECARO's first road-legal full shell seat. It sets standards for safety, lightweight construction and comfort with its body-hugging seat shell, adjustment options and foam upholstery.



1969

The previous RECARO sports seat is renamed the "RECARO **Idealsitz**." At the same time, RECARO introduces a new trademark, which has remained unchanged to this day.



1971

A world first: RECARO unveils the first vehicle seat with an **integrated seat belt** – the RECARO safety seat.



1973

RECARO is the first manufacturer to offer the **anti-submarining** seat upholstery guide, which prevents the occupant from slipping under the belt in the event of an accident. Also making its car seat premiere is RECARO's **extendable seat cushion**, an added comfort feature for tall drivers.



1974

For the world elite in touring car motorsport, RECARO launches its first **racing seat** with a super sturdy double shell made of the fiber-reinforced composite Kevlar – for top-level safety and low weight (14.3 lb).



1977

The new RECARO Airmatic® pneumatic **lumbar support, adjustable side bolsters** on the seat cushion and backrest and RECARO's first **electrically adjustable backrest** significantly improve adaptability to individual requirements.



1977

Acoustic comfort. Under the name RECAROfonie, the company launches a seat with **stereo loudspeakers** integrated into the headrest.



1981

RECARO enters the world of **commercial vehicle seats**, unveiling the first driver's seat with a shock-cushioning system.



1984

A seat that remembers. The RECARO CSE comfort seat is the first to have a **memory function**.



1986

The first seat for taxi drivers, the RECARO T-Line, boasts **breathable upholstery**.



1989

Innovation in novel materials: The RECARO A8 sports seat comes with a back shell made of **plastic**.



1991

The RECARO Variomed is the world's first vehicle seat to provide **asymmetrical adjustment options**.



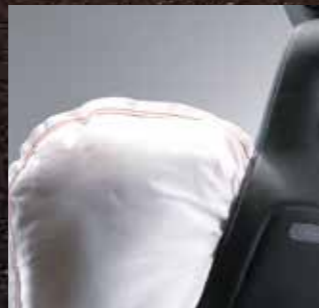
1995

The world's first racing shell with **head protection**. RECARO's new Pro Racer racing shell revolutionizes safety standards in professional motorsport.



2002

RECARO becomes the first manufacturer to offer a racing shell that uses the **HANS (Head And Neck Support) system**, which protects the driver in the event of a serious accident.



2004

RECARO unveils the **world's first retrofit universal side airbag seat** with general type approval for different vehicle models.



2005

RECARO becomes the world's first seat manufacturer to revolutionize seating design with its new **lightweight composite shell**.



2009

To this day, it remains the **world's lightest retrofit seat with ABE (German general type approval)**: the newly unveiled RECARO Pole Position Carbon (ABE) weighs just 9.9 lb.



2013

RECARO Automotive Seating unveils the P 1300 GT, the first **racing shell with fore-aft adjustment**, combining top-level safety with tailored comfort.



2019

Premiere of the limited edition RECARO Sportster CS „Nürburgring-Edition“.



2019

RECARO introduces the particularly robust seat range for **off-road use**: RECARO Cross Sportster ORV and RECARO Pro Racer SPG XL ORV.

PEAK BODY SUPPORT FOR UNPARALLELED RACING PERFORMANCE.

Motorsport is the ultimate test of driver and machine: top speeds, centrifugal forces, vibration, jolts, impacts, and maximum Gs. To win, you need unshakable confidence in your car and equipment. One hundred percent. No ifs, ands or buts.

A racing car is not comfortable. It's loud, hard, and stripped to its racing bones. As the key contact area between car and driver, the seat provides critical millisecond-by-millisecond feedback from the chassis, tires, brakes, engine and track surface. It has to be so perfectly tailored that you can forget everything aside from handling the car and winning the race. Every second on the track demands every ounce of your focus and awareness.



"We want racing seats that provide the highest levels of safety, but also comfort. The P 1300 GT gives us both. The fore-aft seat adjustment is as rugged as it comes – perfect for long-distance races and frequent driver changeovers – and the shell gives drivers an incredibly sensitive feel for the car and the track."

Martin and Nicolas Raeder, Owners of Manthey Racing
Winners of the 2018 ADAC Zurich 24-Hour Race at the Nürburgring

LIKE A SECOND PROTECTIVE SKIN.

So what makes the ultimate racing seat? The answer: one that you barely notice, because it supports and cocoons you like a second skin. At RECARO we're experts in human anatomy – especially the spine. Our racing seats are ergonomically designed to provide outstanding support and protection for your back against all the forces the track can throw at it.



DAKAR RALLY – CHALLENGE ACCEPTED!

If you're a three-time champion of the world's greatest long-distance desert rally, you know how important it is to have the right seat during those long, bumpy rides. Carlos Sainz and the X-raid team have been relying on RECARO's racing shells for years.



A SAFE SEAT IS A SURE WIN.

Motorsport is fraught with risks. Drivers face extreme challenges. They need absolute faith in themselves and their equipment. That's why the top drivers in all the main national and international series choose RECARO racing shells. Supreme protection standards, tough testing regimes, state-of-the-art production processes and more than 110 years of experience guarantee you the best possible safety margin.

RECARO products comply with stringent FIA requirements in every respect. The RECARO P 1300 GT even meets the exceptionally rigorous FIA Standard 8862-2009 for Advanced Racing Seats, which certifies products for 10 years – the RECARO P1300 GT LW even with the flexible sidemount. This requirement, already mandatory in many FIA world championships (GT3, WRC, WRX and ERC) has raised the bar. RECARO shell seats meet the toughest design and safety requirements. In comprehensive testing they were successfully subjected to loads as high as 6.1 metric tons. Another key advantage of RECARO products is optimum driver support.



As an expert in racing seats with around 50 years experience in all areas of motorsport, RECARO supports FIA Action for Road Safety.

NO COMPROMISES.

At RECARO, driver protection is about more than just giving you the impression you're in safe hands. It's our utmost priority. We don't just talk about it. We do it. We put our seats through hell. We've tested over 12,000 of them to destruction since we opened our crash test facility in 1990. There's nothing special about a dedicated crash test facility in the car production industry, you might say. But it is unusual for a car seat manufacturer – that's the RECARO difference. Because safety isn't a game. In addition, we already cooperate with other manufacturers of safety-relevant products in the development of our seats – as with SCHROTH, one of the world's leading manufacturers of racing belts. Our products routinely exceed legal standards. Car manufacturers, professional drivers and racing drivers trust us. Safety first!

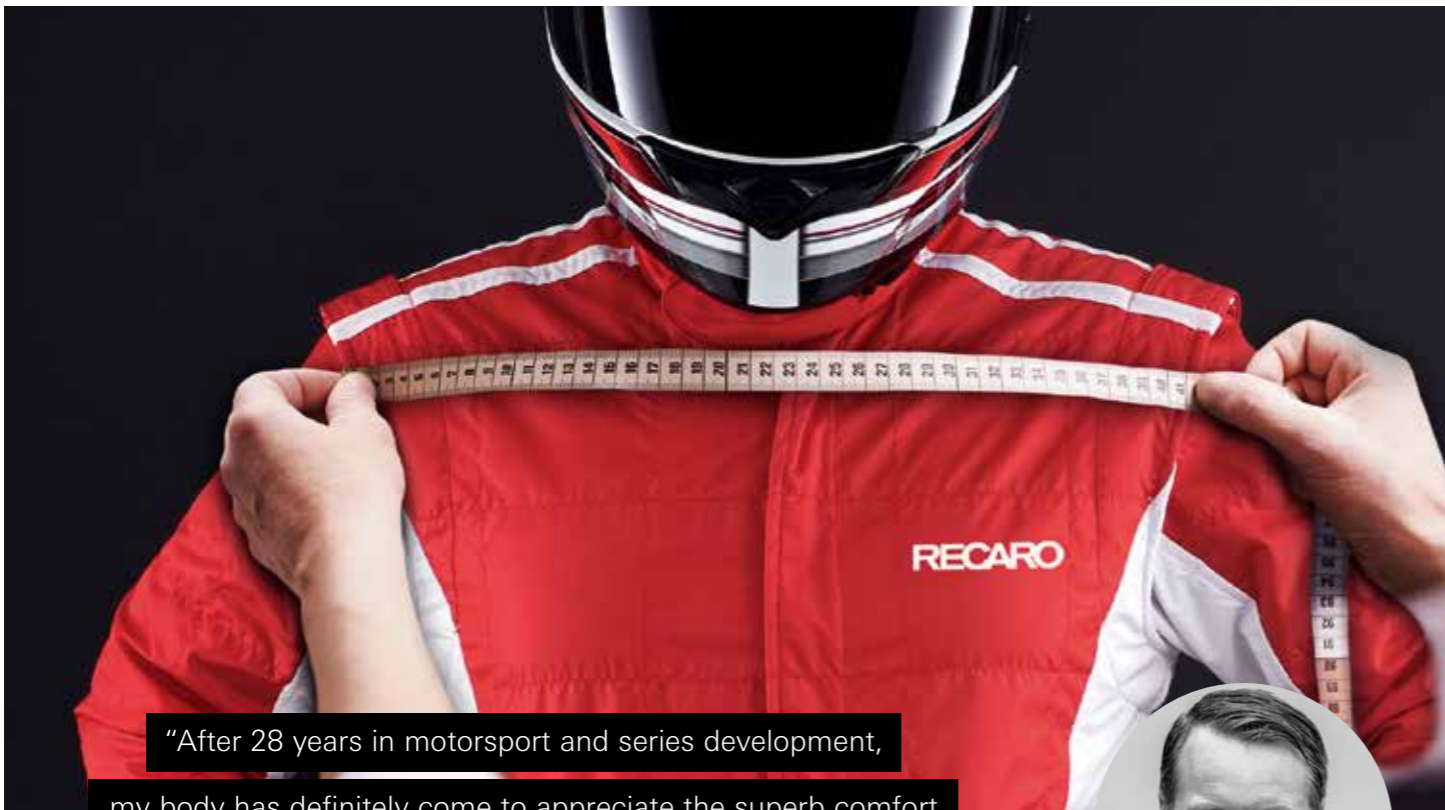


Walter Röhrl
Rally driving legend

"RECARO seats have kept me safe and successful in my more than 40 years in motorsport – and I'm sticking with them."

12,000

Number of **crash attempts** in the own crash test facility of RECARO since 1990.



"After 28 years in motorsport and series development, my body has definitely come to appreciate the superb comfort of RECARO seats. Even more so on the Nordschleife when I'm facing the challenge of so many fast sections and the centrifugal forces they produce – not to mention the bumps – a perfectly shaped seat is priceless!"



Frank Stippler
Professional racing driver,
winner of the 24-hour race
at the Nürburgring and in Spa

YOUR NEW SEAT IS AS INDIVIDUAL AS YOU.

Every driver is unique. Your helmet, overalls and shoes need to fit perfectly – too tight or too loose is a potential distraction. Equally, your seat must be right for your physique. A RECARO racing seat is like a tailor-made suit. It fits like a glove. Only products made with experience, passion and skill make you feel this comfortable. Products refined to perfection. RECARO is the brand for exclusive seats made precisely to your tastes. Intelligently designed to fit you perfectly: a unique blend of comfort and ergonomics.

We go the extra mile, offering an XL seat version for drivers of larger build. But we don't stop there in our pursuit of your comfort – we also have three different sizes of interchangeable seat pads, so you can set your ideal cockpit position with ease. Another plus is that our pads don't cover the entire seat. They're targeted exclusively at body contact points so that air can circulate. Think of it as passive air conditioning.

Our modular system also features shells that can be mounted with a fixed or flexible sidemount. The flexible version boasts fore-aft adjustment for the optimum driving position regardless of your height or build. Both options are ideal for races with fast, frequent driver changeovers.



"The function of a product determines its form. As RECARO designers, our top priority is ergonomics – it's all about the person in the seat. Form follows human."



Frank Beermann
Chief Engineer Industrial Design
RECARO Automotive Seating

EVERY INCH A PREMIUM PRODUCT.

Ultra-light carbon. Tough, highly flame-retardant upholstery.
Hand-crafted. A RECARO racing seat
blends exclusive materials and superb workmanship
to create a premium product.



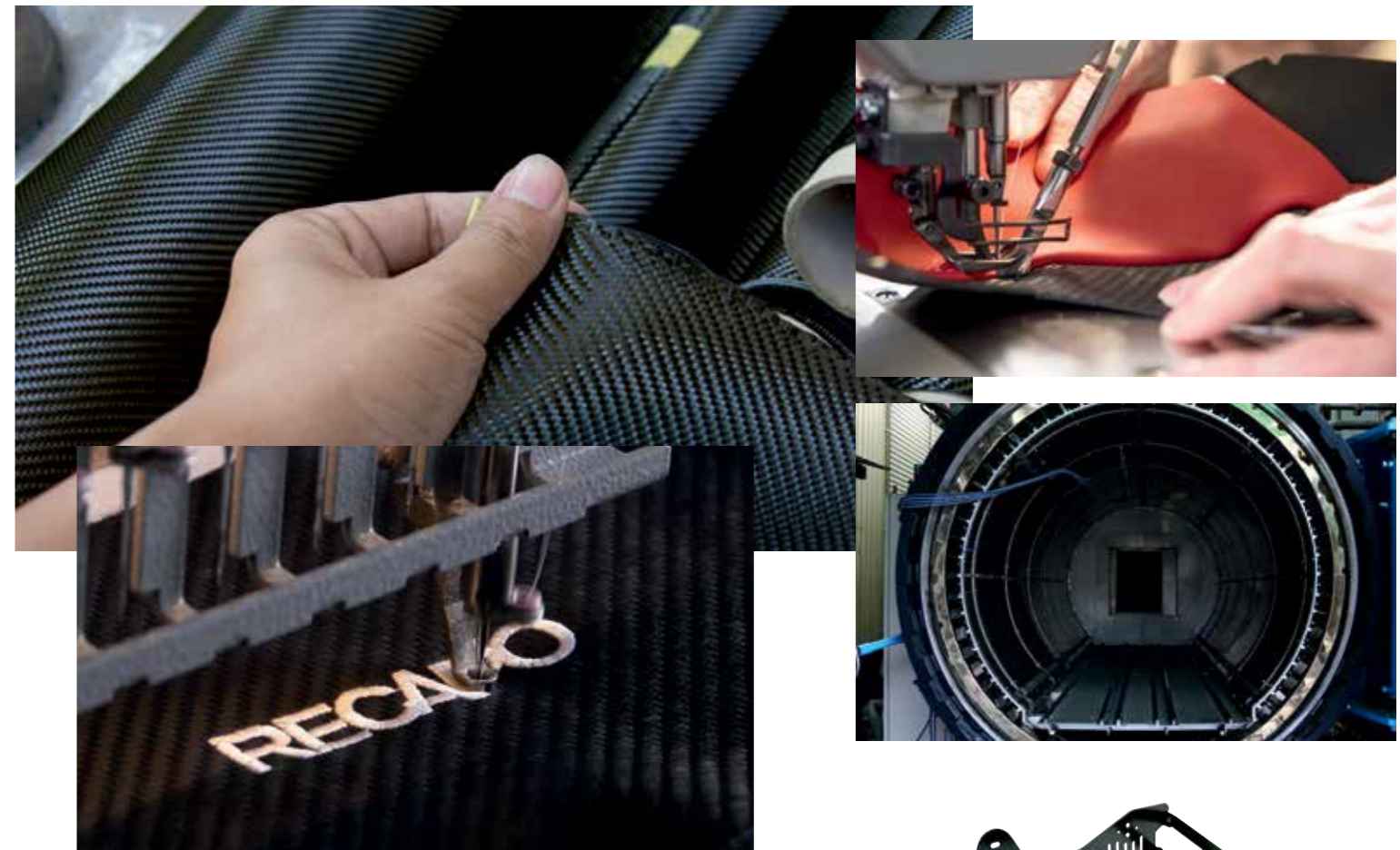
Uwe Alzen
Professional racing driver
VLN / 24-hour racing

"I've been using RECARO seats for decades.

For 90% of my career, I've competed in
racing cars fitted with RECARO seats,

and I firmly believe that their quality and

comfort are unbeatable!"



In motorsport, your faith in the quality and reliability of your equipment must be absolute if you're going to win. We get that. And it's the reason why racing drivers have put their trust in RECARO's expertise and experience for over 50 years. Peerless design, premium-quality materials and beautiful workmanship – our seats are made entirely by hand to meet these exacting demands.

Our designs are often imitated. But never equaled. RECARO uses three special lightweight materials: carbon (CFRP), carbon-aramid (CFRP/AFRP), and glass fiber reinforced polymer (GFRP). We combine them with unparalleled expertise and cutting-edge bonding techniques to create components guaranteed to perform flawlessly. RECARO uses proven aerospace production methods for all safety components. We also operate the most stringent quality controls – and that includes heat treatment processes. The RECARO P 1300 GT and P1300 GT LW are produced in an autoclave.

Our innovative manufacturing approach is all about maximum strength at minimum weight.

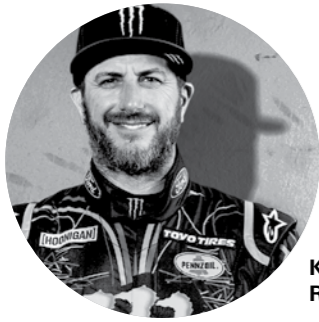


DRIVING BY THE SEAT OF YOUR PANTS.

At RECARO Automotive Seating, we don't just develop racing seats. We look at the whole picture, because how the seat is fixed to the car is key. Our dedicated sidemounts are so fixed that the seat barely moves. Why? So that you can pick up even the subtlest feedback in any situation. That's how you squeeze those vital hundredths of a second out of a fast lap, and how a fast lap becomes a winning lap! Drive by the seat of your pants. Drive to win.

FIA homologation applies to the overall system comprising the RECARO racing shell and its sidemount.

Our modular system of approved racing shells and sidemounts gives you the option of fixed or length adjustable seats.



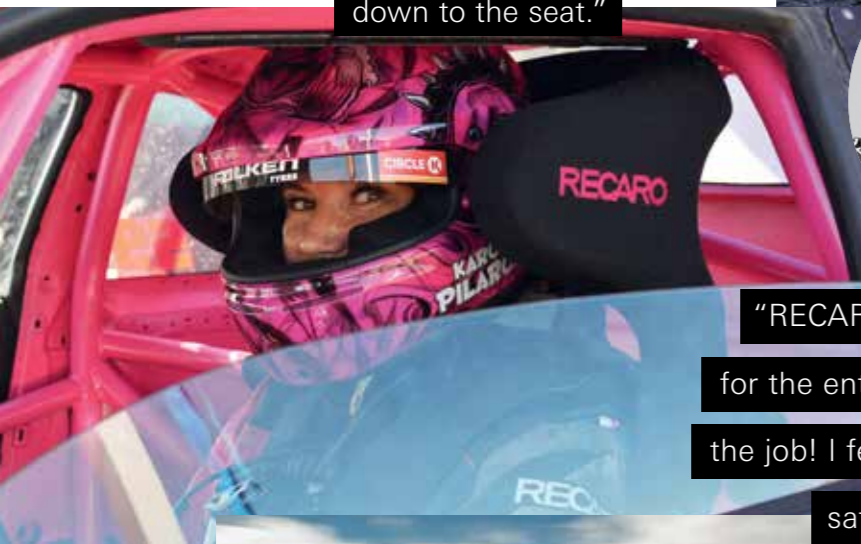
Ken Block
Rally and Drift driver



"I love my RECARO seats!

After a bad accident I was relieved to have them in my car. It turned out to be one of my best decisions.

I escaped without a scratch – and that was largely down to the seat."



Karolina Pilarczyk
Drift Driver
Queen of Europe Champion
2016 & 2017

"RECARO racing seats were the obvious choice for the entire Drift season. They're simply perfect for the job! I feel like I am part of my car. They're not just safe – they're also very comfortable."



Loren Healy
5 time Ultra 4 champion
2 time KOH winner

"RECARO's commitment to safety, technology and design is second to none. After the more than two years of development and testing that went into the Cross Sportster ORV and the Pro Racer ORV, my mind is blown on how much safer and more comfortable these seats are for the demanding nature of off-road."



"RECARO's constant innovation to keep racers and enthusiasts safe and comfortable – no matter our choice of fun from behind the wheel – is something I am very grateful for. There is no question RECARO's effort and passion has saved me from serious injury on more than one occasion, both on and off-road."

Vaughn Gittin Jr.
Formula Drift and
Ultra4 champion



Sven Quandt
Head of Team X-Raid

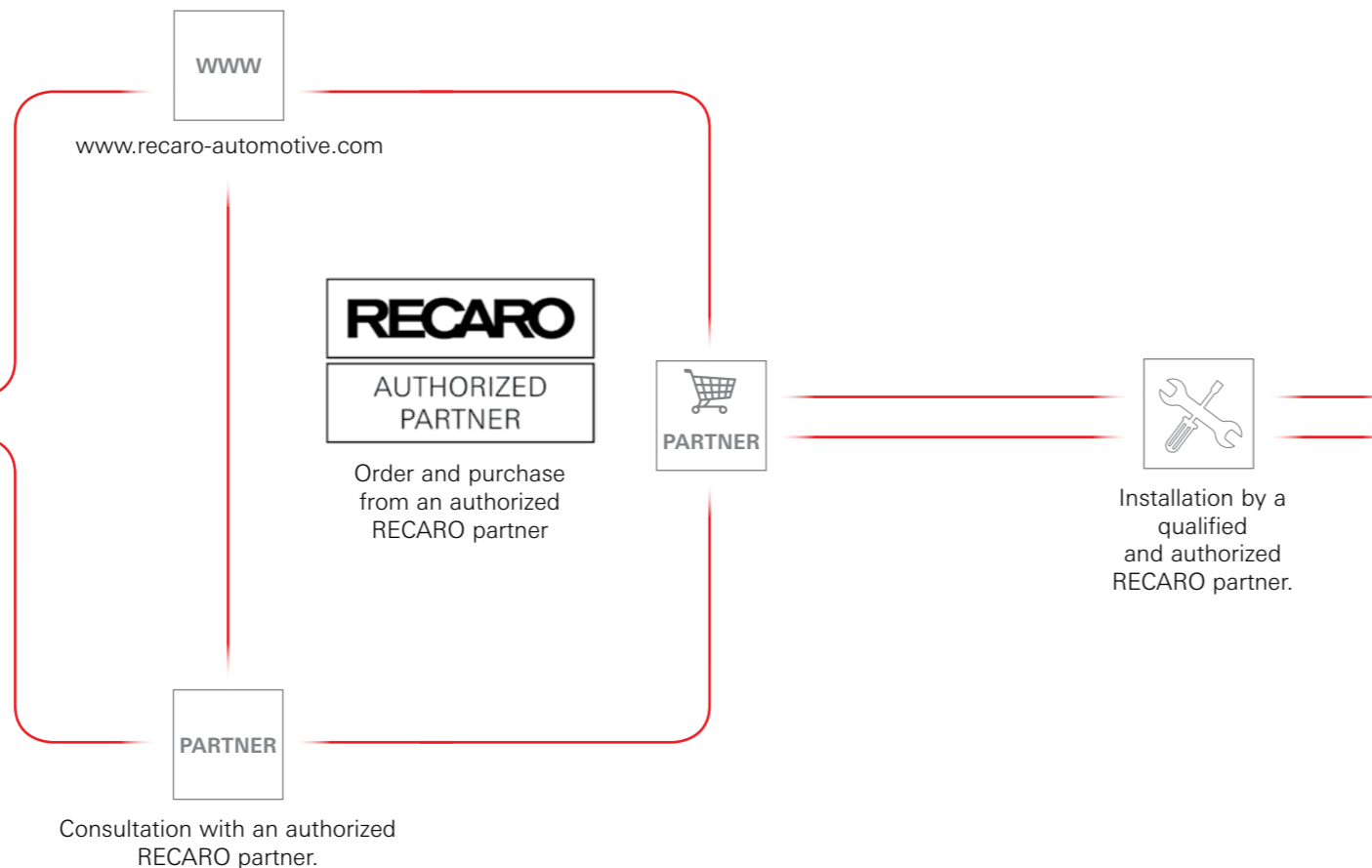
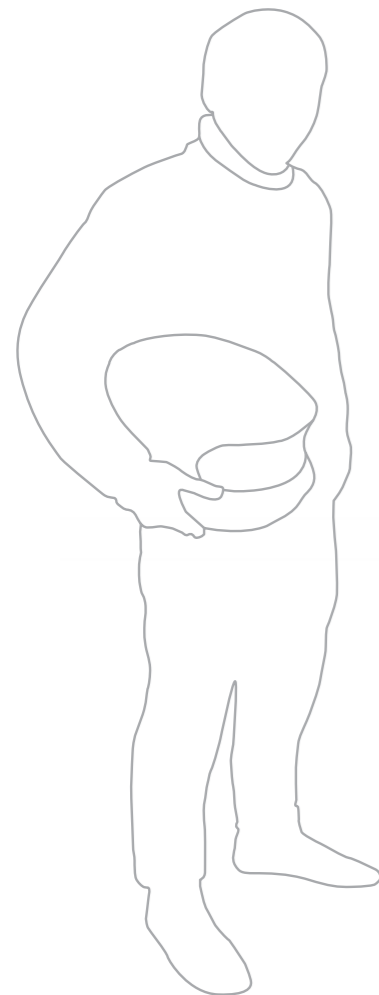
"In cross-country rallying several factors are key when it comes to seats. They include not just safety, but comfort as well. Our drivers sometimes sit in their car for over eight hours. Everyone who has sat in their car for that long knows what you feel like after such a drive. For our crews to be able to put in a perfect performance their seat must fit perfectly."

YOUR RACING SEAT STARTS HERE.

Create your custom RECARO cockpit seat in a few simple steps. Take your time – begin by asking yourself a few questions: Are you racing in a professional or semi-professional series? Which FIA standard must the seat comply with? Does it need to be compatible with the HANS system? Are you a solo driver who needs a fixed sidemount? Or part of a team with frequent driver changes during a race? Which material – ultra-light carbon or glass fiber reinforced polymer – is the best balance for you in terms of weight and performance?

After getting an initial overview from this brochure or a visit to our website, we always recommend a personal consultation with an authorized RECARO motorsport partner. Search for your nearest one on our website. Our partners can help you with your specific requirements. Round off your visit by trying out your favorite seat model.

Please note that special sidemounts are required to install RECARO racing seats properly. For optimum safety we recommend the whole RECARO modular seating system, which is rigorously crash tested to enhance driver protection. You should also check your vehicle's technical requirements and installation dimensions. Our partners will be happy to help.



GUARANTEED FIA APPROVED.

All RECARO racing seats are homologated as complete systems (seats plus fixed or flexible sidemounts) to the FIA's high standards. **FIA Standard 8862-2009 tests systems to an acceleration force equivalent to 70 g.**

FIA 8855-1999 (Competition Seat) -> 24 g

Validity: Approval valid for five years.

Scope: Racing seat plus fixed or flexible sidemounts.

Type of tests: Exclusively dynamic tests.

1. Rear impact 20 g with dummy 50% (165.3 lb):
Test with dummy, backward 20 g over 50 ms.

2. Side impact 15 g with dummy 50% (165.3 lb):
Test with dummy, forward and backward 15 g over 50 ms.

3. Rear impact 10 g with dummy 50% (165.3 lb):
Test with dummy, backward 10 g over 50 ms.

FIA 8862-2009 (Advanced Racing Seat) -> 70 g

Validity: Homologation valid for 10 years.

Scope: Seat substructures including fixed or flexible sidemounts are homologated as part of the entire seating system.

Testing regime: Quasi-static testing for accurately measured loads, replicable test conditions and precise results. Damage or even strong deformation results in a test fail.

Significantly higher test requirements compared to 8855-1999: Three consecutive tests with forces of between 32 kN (approx. 3.3 metric tons) and 60 kN (approx. 6.1 metric tons):

1. Lateral load test: 1 x 32 kN
(Around 300 % increase in overall loading compared with FIA 8855 in the pelvic, shoulder and head areas of the racing shell).

2. Rearward load test (against direction of travel): 1 x 35 kN
(around 200% increase in load)

3. Crush test: 2 x 30 kN
The seat must absorb 1 kJ of energy – the lateral load at the shoulder area must not exceed 30 kN and the seat shell must not deform any more than 7.9 inches inwardly.

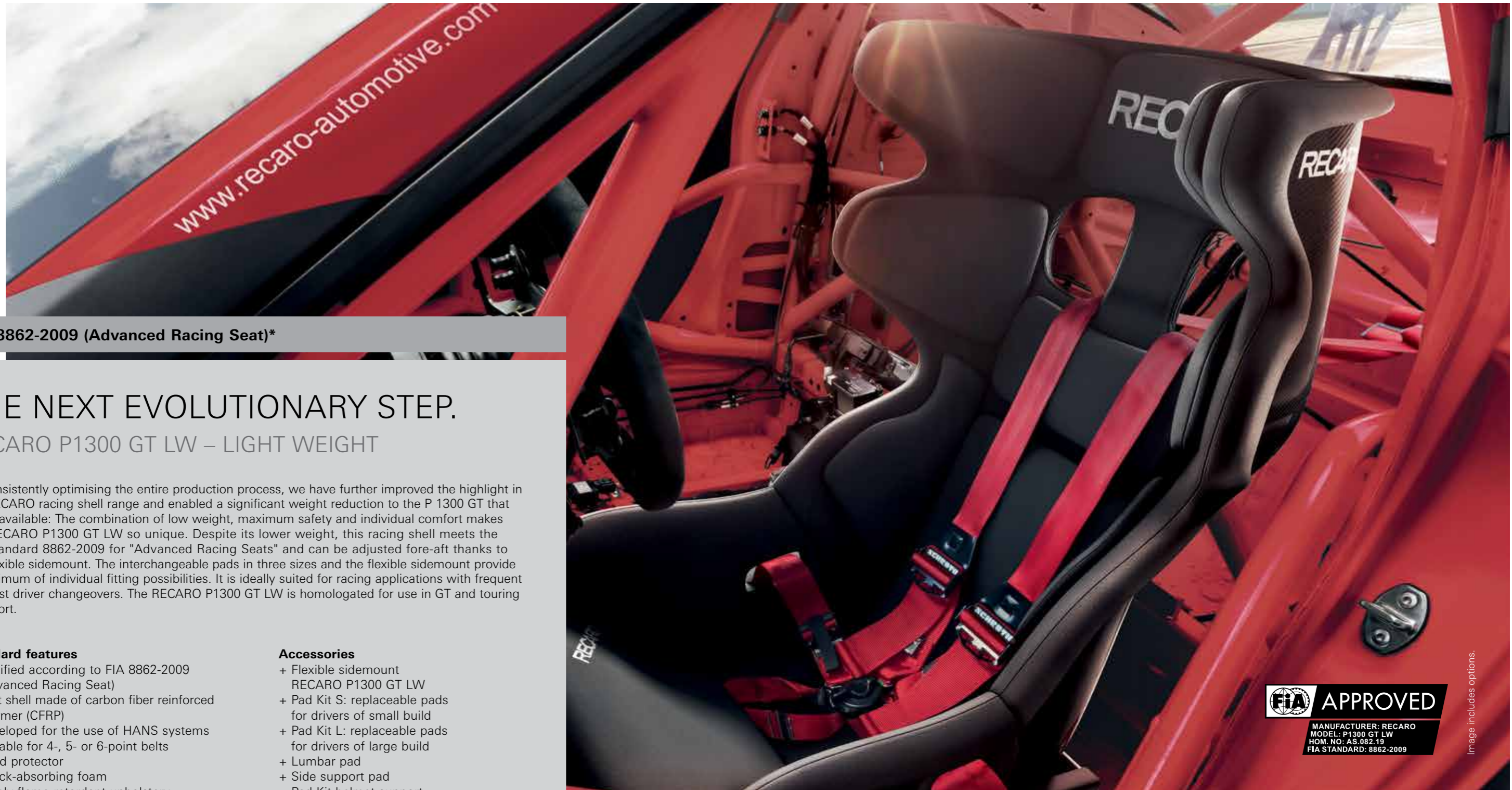
Fire protection:
Fire protection improved to 3.0 inches/min under ISO 3795.

THE RECARO SYSTEM.



OVERVIEW OF CAR SEAT RANGE RACING SEATS		PROFESSIONAL RACING SEATS				SEMI-PROFESSIONAL RACING SEATS	
		RECARO P1300 GT LW	RECARO P 1300 GT	RECARO Pro Racer SPG & SPG XL	RECARO Pro Racer SPG XL ORV	RECARO Profi SPG & SPG XL	RECARO Pole Position N.G. (FIA)
USE*	For GT vehicles/sports cars	●	●	●			●
	For touring vehicles	●	●	●			●
	For rally vehicles				●	●	
	For off-road vehicles				●		
COMFORT	Anatomical seat contour	●	●	●		●	●
	Paddable lumbar support	○	○			●	●
	Pad Kit S (Replaceable pads for drivers of small build)	○	○				
	Pad Kit M (Replaceable pads for drivers of medium build)	●	●				
	Pad Kit L (Replaceable pads for drivers of large build)	○	○				
	High seat cushion			○	○		
	Side support pad	○	○				
	Seat in XL version			○	●	○	
	Flexible sidemount (fore-aft adjustment for preferred sitting positions)	●	●	○			
	Fixed sidemount		○	○	○	○	○/●
LIGHTWEIGHT	Seat shell made of carbon (CFRP)	●	●				
	Seat shell made from carbon and aramid composite (CFRP/AFRP)						
	Seat shell glass fiber reinforced polymer (GFRP)			●	●	●	●
	Weight: complete shell (incl. foam and upholstery, without sidemount)	approx. 30.7 lb	approx. 33.7 lb	SPG: approx. 19.8 lb SPG XL: approx. 22.0 lb	approx. 22.0 lb	SPG: approx. 15.4 lb SPG XL: approx. 22.0 lb	approx. 17.0 lb
	Aluminum sidemounts					○ SPG XL	○
SAFETY	Advanced Racing Seat (FIA 8862-2009)	●	●				
	Competition Seat (FIA 8855-1999)			●		●	●
	Suitable for 4-, 5- or 6-point belts	●	●	●	●	●	●
	Suitable for HANS systems	●	●	●	●		
	Shock-absorbent foam	●	●	●	●		
	Highly flame-retardant upholstery (ISO 3795)	●	●				
	Highly flame-retardant upholstery (FMVSS 302)			●	●	●	●
	FIA approval for 10 years	●	●				
	FIA approval for 5 years			●		●	●

● Standard features, ○ Option/accessories
* Recommend use for racing series



FIA 8862-2009 (Advanced Racing Seat)*

THE NEXT EVOLUTIONARY STEP.

RECARO P1300 GT LW – LIGHT WEIGHT

By consistently optimising the entire production process, we have further improved the highlight in the RECARO racing shell range and enabled a significant weight reduction to the P 1300 GT that is still available: The combination of low weight, maximum safety and individual comfort makes our RECARO P1300 GT LW so unique. Despite its lower weight, this racing shell meets the FIA standard 8862-2009 for "Advanced Racing Seats" and can be adjusted fore-aft thanks to the flexible sidemount. The interchangeable pads in three sizes and the flexible sidemount provide a maximum of individual fitting possibilities. It is ideally suited for racing applications with frequent and fast driver changeovers. The RECARO P1300 GT LW is homologated for use in GT and touring car sport.

Standard features

- + Certified according to FIA 8862-2009 (Advanced Racing Seat)
- + Seat shell made of carbon fiber reinforced polymer (CFRP)
- + Developed for the use of HANS systems
- + Suitable for 4-, 5- or 6-point belts
- + Head protector
- + Shock-absorbing foam
- + Highly flame-retardant upholstery
- + Replaceable pads: Pad Kit M for drivers of medium build (standard feature)
- + FIA approval for 10 years

Accessories

- + Flexible sidemount RECARO P1300 GT LW
- + Pad Kit S: replaceable pads for drivers of small build
- + Pad Kit L: replaceable pads for drivers of large build
- + Lumbar pad
- + Side support pad
- + Pad Kit helmet support

RECARO P1300 GT LW is designed for vehicles with a slope angle of 8.5°. This is the only way to enable the tilt setting of 3° during installation.
 * FIA approval 8862-2009 (Advanced Racing Seat) only in conjunction with specified sidemounts.



Image includes options.

Upholstery variant



Velour black

Accessories



Flexible sidemount P1300 GT LW



Pad Kit S, 6-piece, without seat cushion



Pad Kit L, 5-piece, without seat cushion



Lumbar pad



Side support pad



Pad Kit helmet support

Weight
 Approx. 24.3 lb (without pads/upholstery)
 Approx. 30.7 lb (with pads/upholstery)

Pad-Kit S, M, L



FIA 8862-2009 (Advanced Racing Seat)*

THE SEATS FOR WINNERS.

RECARO P 1300 GT

The highlight of the RECARO racing range. The blend of maximum safety and custom comfort is what makes the P 1300 GT so unique. This seat meets FIA Standard 8862-2009 for Advanced Racing Seats. Its interchangeable pads – available in three sizes – give you a wide range of options to tailor the seat to your specific needs. It's ideally suited for racing use with frequent, fast driver changeovers. The P 1300 GT is homologated exclusively for use in GT and touring car sport.

Standard features

- + Certified according to FIA 8862-2009 (Advanced Racing Seat)
- + Seat shell made of carbon fiber reinforced polymer (CFRP)
- + Developed for the use of HANS systems
- + Suitable for 4-, 5- or 6-point belts
- + Head protector
- + Shock-absorbing foam
- + Highly flame-retardant upholstery
- + Replaceable pads:
 - Pad Kit M for drivers of medium build (standard feature)
- + FIA approval for 10 years

Accessories

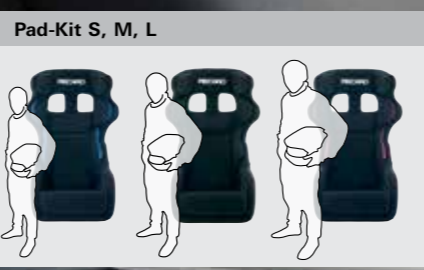
- + Fixed sidemount RECARO P 1300 GT
- + Pad Kit S: replaceable pads for drivers of small build
- + Pad Kit L: replaceable pads for drivers of large build
- + Lumbar pad
- + Side support pad
- + Pad Kit helmet support

RECARO P 1300 GT is designed for vehicles with a slope angle of 8.5°. This is the only way to enable the tilt setting of 3° during installation.
 * FIA approval 8862-2009 (Advanced Racing Seat) only in conjunction with specified sidemounts.



GT SPORT	TOURING SPORT			CFRP
RACE 4-/5-/6-POINT BELT	HANS	ANTI SHOCK	ADVANCED SEAT 10 YEARS	

Weight
 Approx. 27.1 lb (without pads/upholstery)
 Approx. 33.7 lb (with pads/upholstery)



Upholstery variant



Velour black

Accessories



Fixed sidemount RECARO P 1300 GT



Pad Kit S, 6-piece, without seat cushion



Pad Kit L, 5-piece, without seat cushion



Lumbar pad



Side support pad

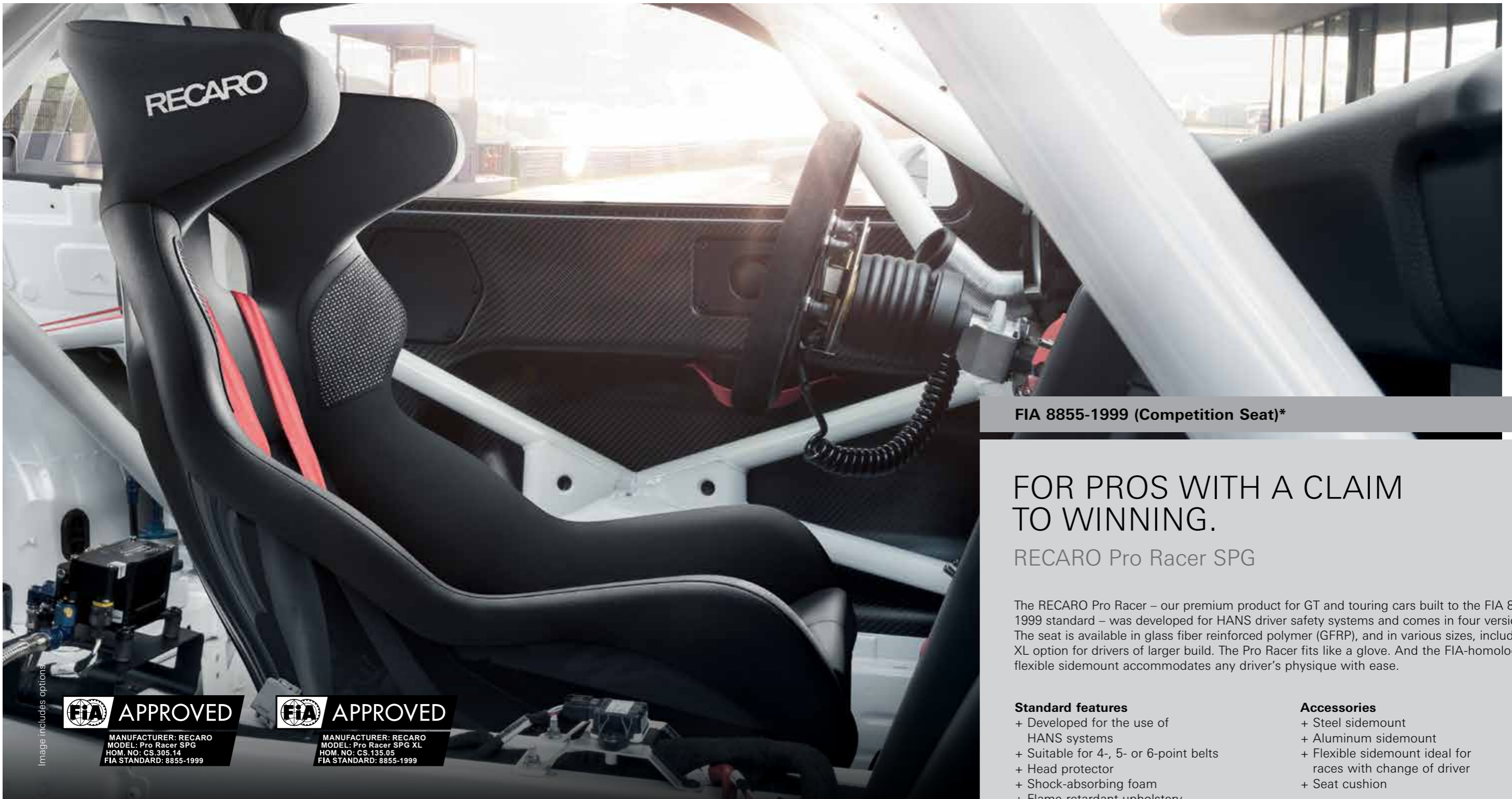


Pad Kit helmet support

Image includes options.

FIA APPROVED

MANUFACTURER: RECARO
 MODEL: P 1300 GT
 HOM. NO.: AS.027.12
 FIA STANDARD: 8862-2009



FIA 8855-1999 (Competition Seat)*

FOR PROS WITH A CLAIM TO WINNING.

RECARO Pro Racer SPG

The RECARO Pro Racer – our premium product for GT and touring cars built to the FIA 8855-1999 standard – was developed for HANS driver safety systems and comes in four versions. The seat is available in glass fiber reinforced polymer (GFRP), and in various sizes, including an XL option for drivers of larger build. The Pro Racer fits like a glove. And the FIA-homologated flexible sidemount accommodates any driver's physique with ease.

Standard features

- + Developed for the use of HANS systems
- + Suitable for 4-, 5- or 6-point belts
- + Head protector
- + Shock-absorbing foam
- + Flame-retardant upholstery
- + Friction grip surface around the shoulders

Accessories

- + Steel sidemount
- + Aluminum sidemount
- + Flexible sidemount ideal for races with change of driver
- + Seat cushion

RECARO Pro Racer SPG & XL

- + Seat shell made of glass fiber reinforced polymer (GFRP)
- + **XL:** seat shell 1.4 inches wider

* FIA approval 8855-1999 only valid in conjunction with the specified RECARO sidemount.



MANUFACTURER: RECARO
MODEL: Pro Racer SPG
HOM. NO: CS.305.14
FIA STANDARD: 8855-1999

MANUFACTURER: RECARO
MODEL: Pro Racer SPG XL
HOM. NO: CS.135.05
FIA STANDARD: 8855-1999

Image includes options

Weight
Pro Racer SPG: approx. 19.8 lb
Pro Racer SPG XL: approx. 22.0 lb

Upholstery variant



Velour black

Accessories



Flexible sidemount
Pro Racer SPG



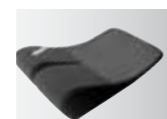
Flexible sidemount
Pro Racer SPG XL



Pro Racer SPG:
Steel sidemount



Pro Racer SPG XL:
Steel sidemount



Pro Racer SPG:
High seat cushion

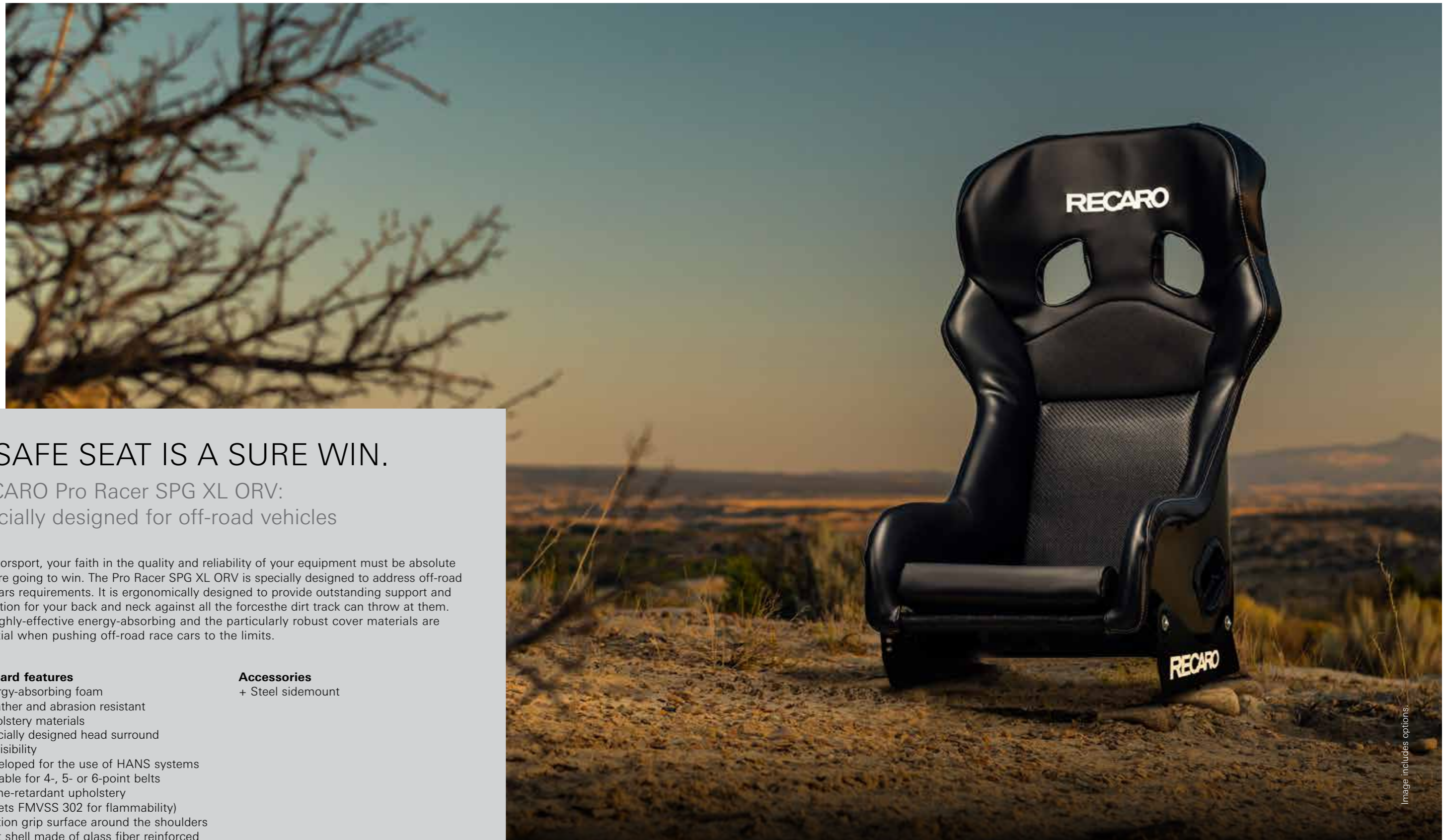


Lumbar pad



HANS Protection





A SAFE SEAT IS A SURE WIN.

RECARO Pro Racer SPG XL ORV:
specially designed for off-road vehicles

In motorsport, your faith in the quality and reliability of your equipment must be absolute if you're going to win. The Pro Racer SPG XL ORV is specially designed to address off-road race cars requirements. It is ergonomically designed to provide outstanding support and protection for your back and neck against all the forces the dirt track can throw at them. The highly-effective energy-absorbing and the particularly robust cover materials are essential when pushing off-road race cars to the limits.

Standard features

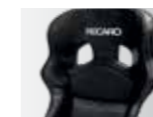
- + Energy-absorbing foam
- + Weather and abrasion resistant upholstery materials
- + Specially designed head surround for visibility
- + Developed for the use of HANS systems
- + Suitable for 4-, 5- or 6-point belts
- + Flame-retardant upholstery (meets FMVSS 302 for flammability)
- + Friction grip surface around the shoulders
- + Seat shell made of glass fiber reinforced polymer (GFRP)

Accessories

- + Steel sidemount



Upholstery variant



RECARO vinyl black
Rhino vinyl slate black

Accessories



Steel sidemount

Weight
Pro Racer SPG XL ORV: approx. 22.0 lb

Image includes options.



FIA 8855-1999 (Competition Seat)*

PREMIUM HOLD IN ALL LOCATIONS.

RECARO Profi SPG

Ideal for offroad and rally use – the shell of the RECARO Profi SPG with glass fiber reinforced polymer has been proven many times over and offer superb lateral hold on the race track and offroad. The XL variant of the seat is wider and higher, with larger belt slots.

Standard features

- + Suitable for 4-, 5- or 6-point belts
- + Flame-retardant upholstery
- + Friction grip surface around the shoulders
- + Paddable lumbar support
- + Seat shell made of glass fiber reinforced polymer (GFRP)
- + **XL:** larger belt slots
- + **XL:** seat shell 1.4 inches wider and 2.0 inches higher

Accessories

- + Steel sidemount
- + Aluminum sidemount

* FIA approval 8855-1999 only valid in conjunction with the specified RECARO sidemount.



Image includes options.



**Upholstery variants
RECARO Profi SPG & XL**



Velour black

Accessories



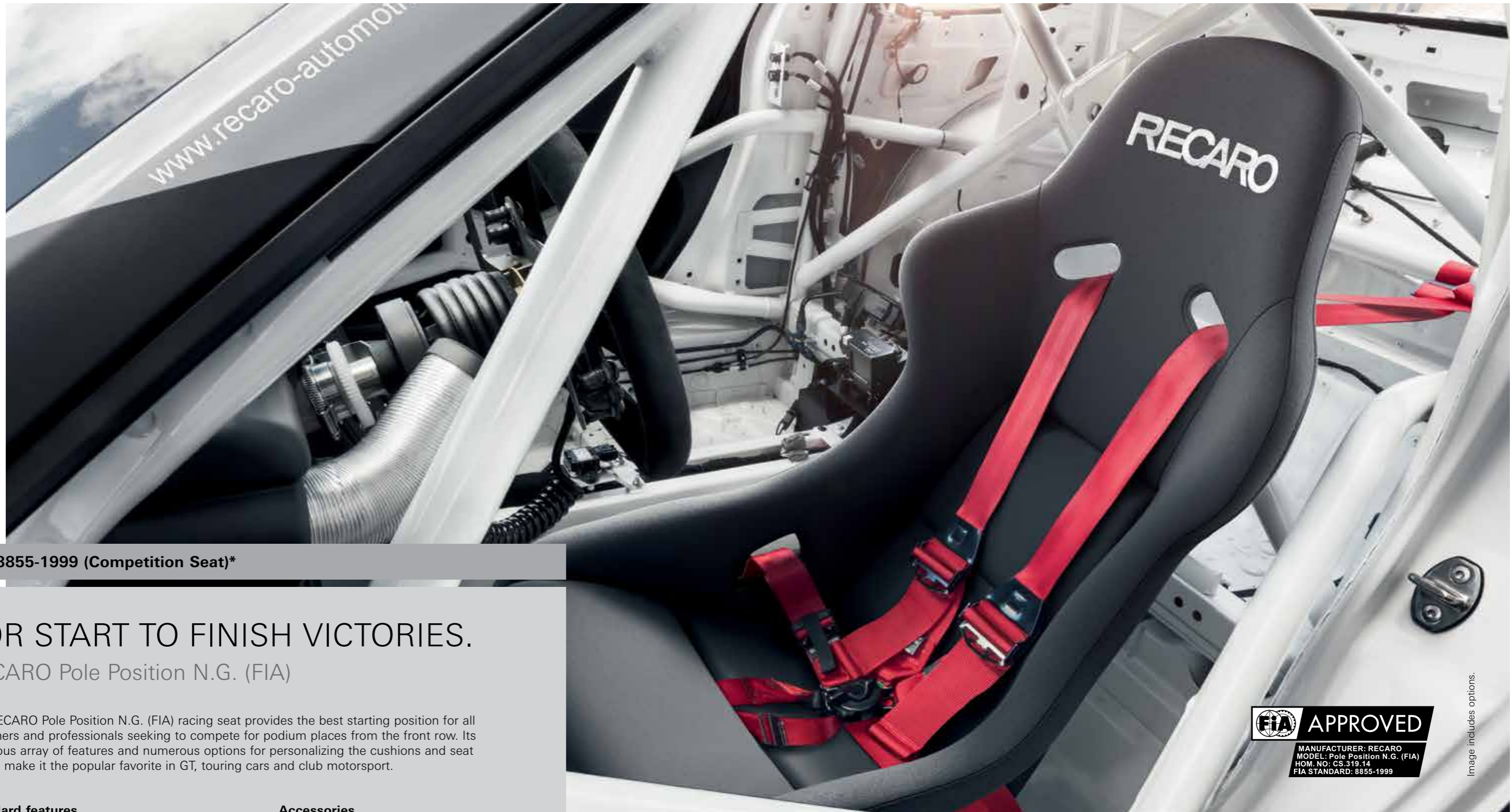
Profi SPG:
Steel sidemount



Profi SPG XL:
Aluminum sidemount

Weight

Profi SPG: approx. 15.4 lb
Profi SPG XL: approx. 22.0 lb



FIA 8855-1999 (Competition Seat)*

FOR START TO FINISH VICTORIES.

RECARO Pole Position N.G. (FIA)

The RECARO Pole Position N.G. (FIA) racing seat provides the best starting position for all beginners and professionals seeking to compete for podium places from the front row. Its generous array of features and numerous options for personalizing the cushions and seat covers make it the popular favorite in GT, touring cars and club motorsport.

Standard features

- + Seat shell made of glass fiber reinforced polymer (GFRP)
- + Suitable for 4-, 5- or 6-point belts
- + Flame-retardant upholstery
- + Seat and backrest cushions replaceable
- + Paddable lumbar support
- + Standard steel sidemount

Accessories

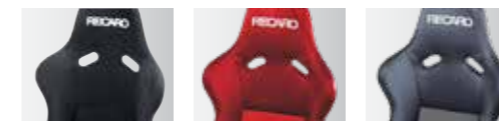
- + Steel sidemount
- + Aluminium sidemount

* FIA approval 8855-1999 only valid in conjunction with the specified RECARO sidemount.



Image includes options.

Upholstery variants



Velour black Jersey red Leather black
Suede red Suede grey

Weight
Approx. 17.0 lb

Accessories

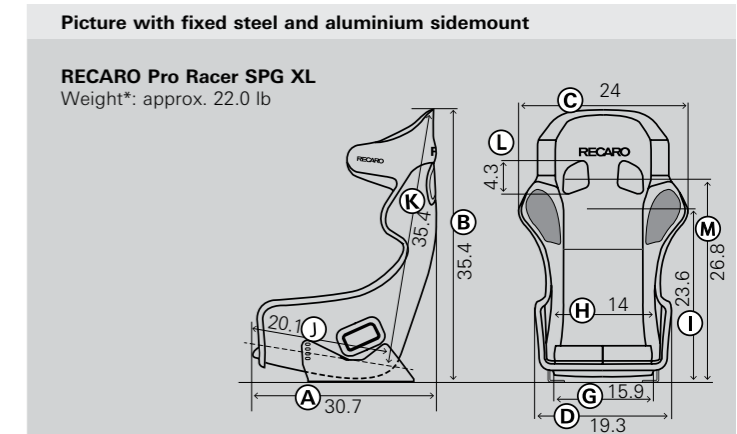
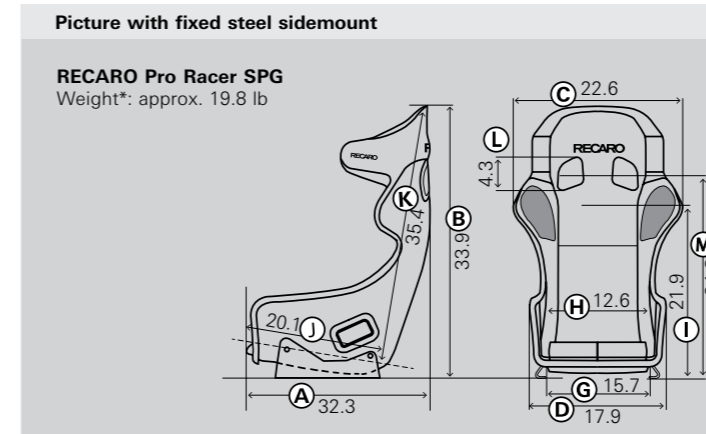
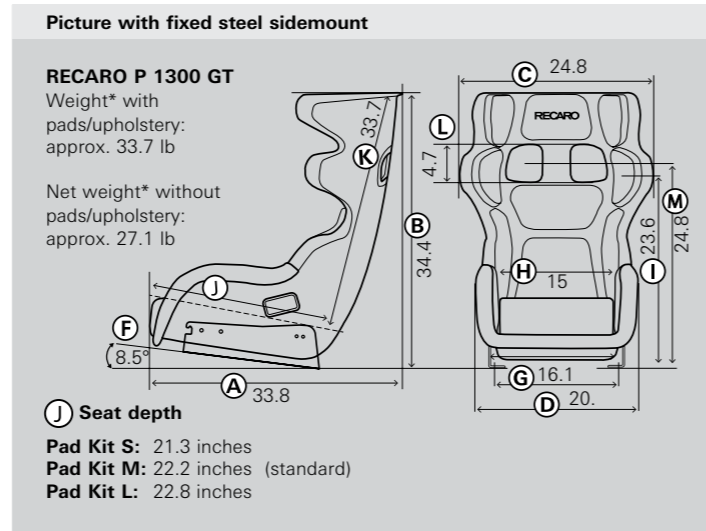
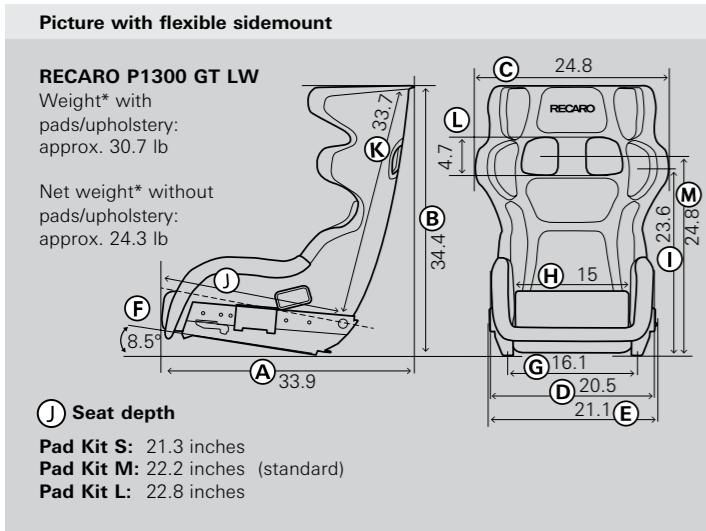


Standard steel sidemount Steel sidemount Aluminium sidemount



FIA-HOMOLOGATION 8862-2009 (Advanced Racing Seat)

FIA HOMOLOGATION 8855-1999 (Competition Seat)



NOTES: FIA homologation 8862-2009 (Advanced Racing Seat) and FIA homologation 8855-1999 (Competition Racing Seat)

KEY:

Overall dimensions:

- A: Seat depth
- B: Seat height
- C: Shell outer measurement at shoulder
- D: Shell outer measurement at seat bottom
- E: Subframe width
- F: Tilt at mounting level
- G: Width between mounting bolts

Comfort dimensions:

- H: Seat width at bottom
- I: Height of shoulder support
- J: Seat depth
- K: Seat height

Belt slot:

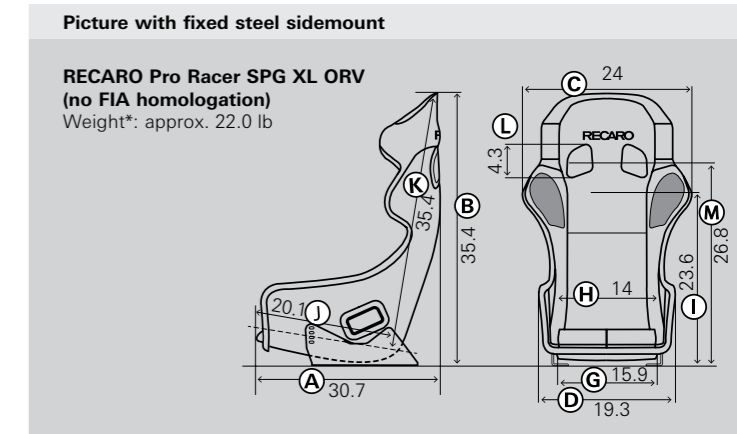
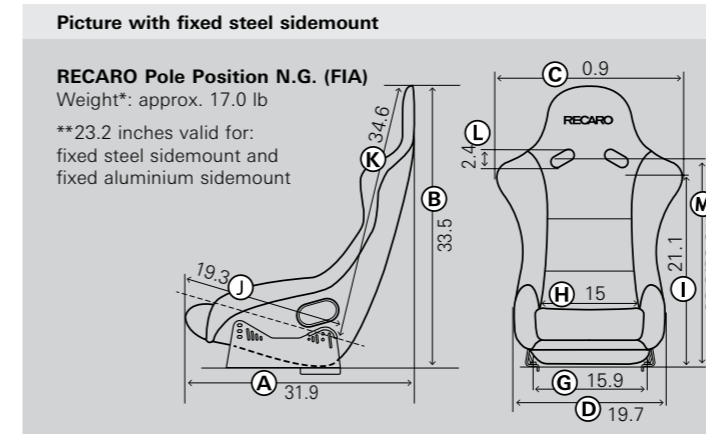
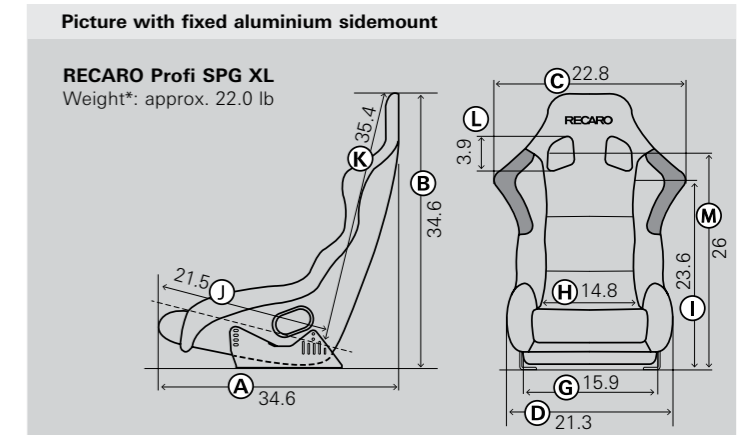
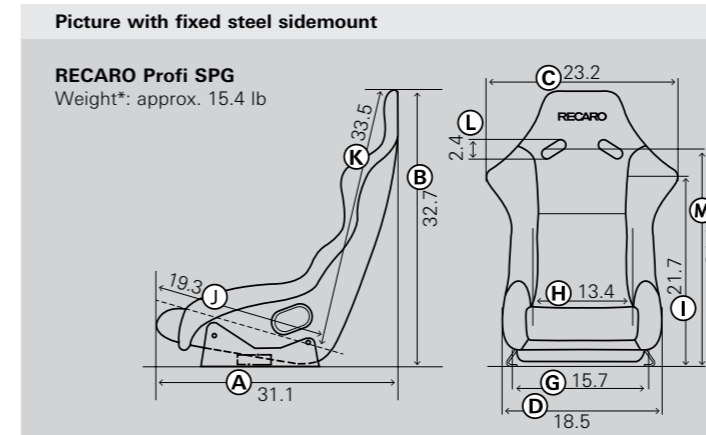
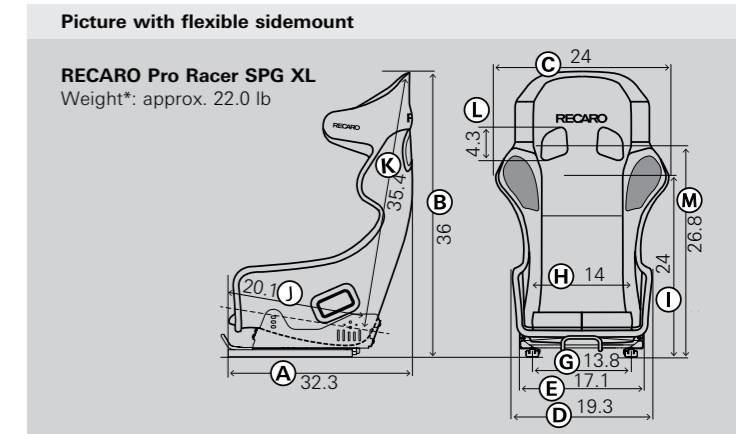
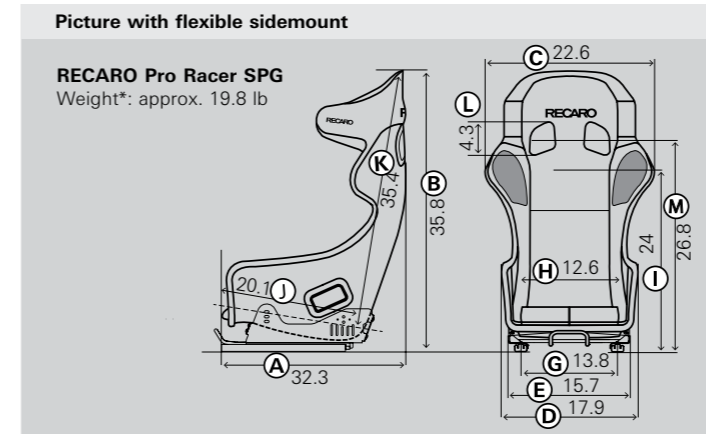
- L: Height of belt slot
- M: Center belt slot

NOTES ON COMFORT DIMENSIONS:

- Dimensions in inches. All dimensions may vary by ±0.4 inch.
- They do not take account of upholstery movement when the driver is seated, since this can vary a great deal. The comfort dimensions are measured on the upholstery and seams. Small deviations cannot be excluded.
- The **seat height** indicates the vertical height of the backrest from the top of the headrest to the top of the seat cushion.
- The **seat width** indicates the width of the seat cushion. This dimension is measured at the highest, forwardmost edge of the lateral center belt slot and can be up to 1.57 inches wider depending on how the seat cushions respond to the driver when seated.
- The **seat depth** indicates the total horizontal length of the seat cushion (from the front of the cushion to the bottom of the backrest).

NOTE:

- * Weight: total shell weight (without mounted parts).
- Dimensions in inches.
- The dimensions of the racing seats RECARO Pole Position N.G. (FIA), Profi SPG, Profi SPG XL, Pro Racer SPG, Pro Racer SPG XL and RECARO P 1300 GT were determined in standard position (upper mounting point at front and lower mounting point at rear).
- The dimensions of the RECARO P1300 GT LW were determined in the rearmost position.
- RECARO racing shells can be individually fitted into nearly all racing cars.
- FIA approval 8855-1999 and 8862-2009 (Advanced Racing Seat) apply only in conjunction with specified sidemount.
- FIA homologation 8855-1999 only in combination with the associated sidemount for the following RECARO racing seats: RECARO Pole Position N.G. (FIA), Profi SPG, Profi SPG XL, Pro Racer SPG, Pro Racer SPG XL.
- FIA homologation 8862-2009 (advanced racing seat) only in combination with the associated sidemount for the following RECARO racing seats: RECARO P1300 GT LW, RECARO P 1300 GT.
- The RECARO motorsport seats are made by hand to our highest quality standards. Due to this special manufacturing process, the lamination may in exceptional instances result in slight tolerances to the specified dimensions and weights.
- RECARO P1300 GT LW and RECARO P 1300 GT: the sidemounts are geared in their design to a floor pan tilt of 8.5°. Depending on manufacturer and floor pan group, adaptations may be necessary when fitting (5.1 inches lengthways adjustment; angle of tilt variable by max. 3° during fitting).



RECARO upholstery materials

Velour:

Rugged, easy-care fabric that meets top safety standards. The velour upholstery materials used in RECARO racing shells meet FIA 8862-2009 homologation standards and are tested to ISO 3795. RECARO products designed to FIA Standard 8855-1999 are tested to fabric flammability standard FMVSS 302 and exceed the flame retardancy requirements by a significant margin.

RECARO vinyl:



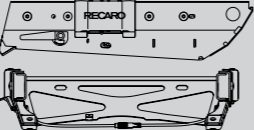


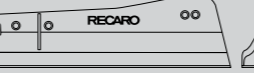

RECARO vinyl is a high-quality, highly durable easy-care alternative to leather (meets FMVSS 302 for flammability).


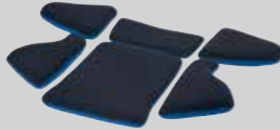


Rhino vinyl (Camira):

A weather and abrasion resistant upholstery material, specifically designed for demanding environments (meets FMVSS 302 for flammability).

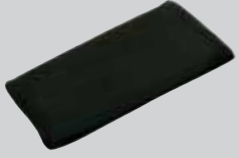
FIA HOMOLOGATION 8862-2009

(Advanced Racing Seat)

<p>Flexible sidemount*</p> <p>For RECARO racing seat: RECARO P1300 GT LW</p> 		<p>Weight: 23.6 lb</p> 	 <p>MANUFACTURER: RECARO MODEL: P1300 GT LW HOM. NO: AS.082.19 FIA STANDARD: 8862-2009</p>
<p>Steel sidemount</p> <p>For RECARO racing seat: RECARO P 1300 GT</p>		<p>Weight: 9.0 lb</p> 	 <p>MANUFACTURER: RECARO MODEL: P 1300 GT HOM. NO: AS.027.12 FIA STANDARD: 8862-2009</p>




<p>Pad Kit S</p> <p>For RECARO racing seat: RECARO P1300 GT LW RECARO P 1300 GT Pads for drivers of smaller build, 6-piece, without seat cushion</p> 		<p>Pad Kit L</p> <p>For RECARO racing seat: RECARO P1300 GT LW RECARO P 1300 GT Pads for drivers of larger build, 5-piece, with seat cushion</p> 	
---	---	---	---

<p>Pad Kit helmet support</p> <p>For RECARO racing seat: RECARO P1300 GT LW RECARO P 1300 GT Upholstery: Velour black</p>		<p>Side support pad</p> <p>For RECARO racing seats: RECARO P1300 GT LW RECARO P 1300 GT Upholstery: Velour black</p>	
--	--	---	--

<p>Lumbar pad</p> <p>For RECARO racing seat: Upholstery: Velour black</p>	
--	---

FIA HOMOLOGATION 8855-1999


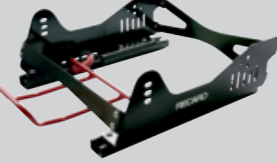
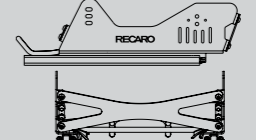

(Competition Seat)



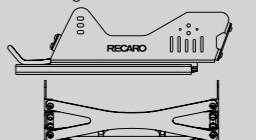

<p>Aluminum sidemount</p> <p>For RECARO racing seats: RECARO Pole Position N.G. (FIA) RECARO Profi SPG XL</p>		<p>Weight: 2.4 lb</p> 	 <p>MANUFACTURER: RECARO MODEL: POLE POSITION N.G. (FIA)/ PROFI SPG XL HOM. NO: CS.319.14 HOM. NO: CS.086.04 FIA STANDARD: 8855-1999</p>
--	---	---	---

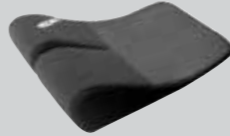
<p>Steel sidemount</p> <p>For RECARO racing seats: RECARO Pole Position N.G. (FIA) RECARO Pro Racer SPG XL RECARO Pro Racer SPG XL ORV (no FIA homologation)</p>		<p>Weight: 5.7 lb</p> 	 <p>MANUFACTURER: RECARO MODEL: POLE POSITION N.G. (FIA)/ PRO RACER SPG XL HOM. NO: CS.319.14 HOM. NO: CS.135.05 FIA STANDARD: 8855-1999</p>
--	---	---	---

<p>Steel sidemount</p> <p>For RECARO racing seats: RECARO Profi SPG RECARO Pro Racer SPG</p>		<p>Weight: 4.4 lb</p> 	 <p>MANUFACTURER: RECARO MODEL: PROFI SPG / PRO RACER SPG / HOM. NO: CS.011.00 HOM. NO: CS.135.05 FIA STANDARD: 8855-1999</p>
---	---	---	--

<p>Steel sidemount</p> <p>For RECARO racing seats: RECARO Pole Position N.G. (FIA)</p>		<p>Weight: 7.3 lb</p> 	 <p>MANUFACTURER: RECARO MODEL: POLE POSITION N.G. (FIA) HOM. NO: CS.319.14 FIA STANDARD: 8855-1999</p>
--	--	--	--

<p>Flexible sidemount</p> <p>For RECARO racing seats: RECARO Pro Racer SPG</p> 		<p>Weight: 15.2 lb</p> 	 <p>MANUFACTURER: RECARO MODEL: PRO RACER SPG HOM. NO: CS.305.14 FIA STANDARD: 8855-1999</p>
--	---	--	---


<p>Flexible sidemount</p> <p>For RECARO racing seats: RECARO Pro Racer SPG XL</p> 		<p>Weight: 17.0 lb</p> 	 <p>MANUFACTURER: RECARO MODEL: PRO RACER SPG XL HOM. NO: CS.135.05 FIA STANDARD: 8855-1999</p>
---	---	--	--

<p>High seat cushion</p> <p>For RECARO racing seat: RECARO Pro Racer SPG Height: approx. 1.0 inch or approx. 2.2 inches Upholstery: Velour black</p>	
--	---




* The sidemounts are designed for a ground angle of 8.5°. Adjustments may be required during installation depending on the manufacturer and ground group.

RECARO SYMBOLS

USE

 GT SPORT	Seat for GT vehicles	 TOURING SPORT	Seat for touring cars	 RALLYE SPORT	Seat for rally vehicles	 OFF ROAD	Seat for off-road vehicles
--	-------------------------	--	--------------------------	---	----------------------------	---	-------------------------------







CUSTOM DRIVER COMFORT

 XL	XL seat – ideal for people of large build		Flexible sidemount (fore-aft adjustment), ideal for racing use with change of driver		Replaceable pads (S/M/L), individually adjustable to the driver's build
---	--	---	--	---	---

LIGHTWEIGHT CONSTRUCTION

 LIGHT WEIGHT	Seat made of lightweight composites	 CFRP	Seat shell made of carbon fiber reinforced polymer	 CFRP AFRP	Seat shell made of carbon and aramid fiber reinforced polymer	 GFRP	Seat shell made of glass fiber reinforced plastic
--	--	--	--	--	---	--	---

SAFETY

 4-5-/ 6- POINT BELT	Suitable for 4-, 5- und 6-point belt	 FIA 4-5-/6- POINT BELT	Suitable for 4-, 5- und 6-point belt	 COMPETITION SEAT 5 YEARS	FIA homologation for 5 years	 ADVANCED SEAT 10 YEARS	FIA homologation for 10 years
 HANS	Racing seat optimized for the HANS system	 ANTI SHOCK	Racing seat with shock-absorbing foam				



FIA-approved racing seat or sidemount.

The new 'FIA Approved' logo indicates which product from the respective manufacturer is approved under which official homologation number according to the FIA standard.

MANUFACTURER: Information about the manufacturer
MODEL: Product designation
HOM. NO: Number under which the product is homologated
FIA STANDARD: Information about the approved FIA standard

RECARO North America, Inc
 49200 Halyard Dr
 Plymouth, MI 48170
 USA

Main: +1 734-254-4799

E-mail: aftermarket@recaro-automotive.com
 Internet: www.recaro-automotive.com



MARCH 2020
 RECARO® Pole Position® are registered trademarks of RECARO Beteiligungs-GmbH. Seat program for USA; this is subject to the statutory and legal guidelines applicable in the respective countries. We reserve the right to make changes to the technology, form, color, and design of our products, or discontinue some of our products. We accept no liability for printing errors.