

## RECARO P 1300 GT LW



### UPHOLSTERY OPTIONS



**P1300 GT**  
MSRP: \$9,125.00  
071.71.0995-01

### ACCESSORIES

**Flexible Adapter**  
MSRP: Included  
7308864NA



**Pad Kit S: Blue**  
MSRP: \$525.00  
7221389.A15NA  
(Set of 6, w/o Seat Cushion)



**Pad Kit L: Red**  
MSRP: \$525.00  
7221390.A16NA  
(Set of 5, w/o Seat Cushion)



**Lumbar Pad:  
Black Velour**  
MSRP: \$145.00  
7221984.995NA

### Other accessories available



### THE NEXT EVOLUTIONARY STEP

By consistently optimizing the entire production process, we have further improved the highlight in the RECARO racing shell range and enabled a significant weight reduction to the P 1300 GT that is still available: The combination of low weight, maximum safety and individual comfort makes our RECARO P1300 GT LW so unique. The interchangeable pads in three sizes and the flexible sidemount provide a maximum of individual fitting possibilities. It is ideally suited for racing applications with frequent and fast driver changeovers. The RECARO P1300 GT LW is homologated for use in GT and Touring motorsports.

### FEATURES AND ATTRIBUTES

- FIA certified and crash tested, for 10 year's use in FIA-sanctioned races
- Includes the P 1300 GT flexible adapter, an FIA certified sliding seat adapter system
- Side-impact neck protection, developed and optimized to work with head and neck safety systems
- RECARO proprietary ergonomics: S-shaped backrest with "built-in" lumbar support that protects against spinal compression in high-impact accidents
- RECARO high-integrity, lightweight, Carbon-Kevlar® comfort shell
- Aggressive thigh & torso bolstering
- High-quality, shock-absorbing foam in flexible pad system
- Flame-retardant materials used for RECARO flexible pad sets
- Screw-mounted panels and belt slots
- Suitable for 4, 5, or 6 point harness

## SPECIFICATIONS

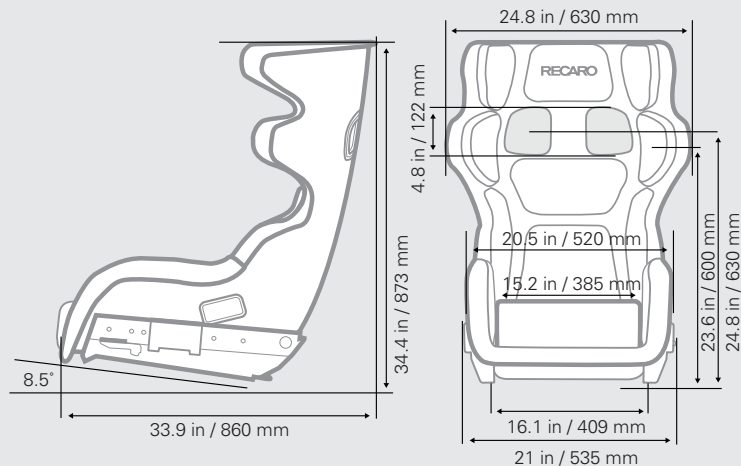
**Max height: 34.4 inches / 873 mm**

**Max length: 33.9 inches / 860 mm**

**Weight: 30.7 lb. / 13.9 kg (with pads / upholstery)**

**Weight: 24.3 lb. / 11 kg (without pads / upholstery)**

- Flexible Adaptor P1300 GT (FIA certified) - Included (Item # 7308864)
- Mounting hardware varies based on the vehicle the seat will be installed
- Check with your dealer / installer for fitment and necessary mounting hardware for your vehicle application



Dimensions do not include mounting hardware

## RACING SEATS

### OVERVIEW OF SEAT OPTIONS

- Standard features, ○ Option/accessories



**RECARO  
P1300 GT LW**

**RECARO  
P1300 GT**

**RECARO  
Podium (FIA)**

**RECARO Pro Racer  
SPA, SPA XL**

		RECARO P1300 GT LW	RECARO P1300 GT	RECARO Podium (FIA)	RECARO Pro Racer SPA, SPA XL
USE	For GT vehicles/sports cars	●	●	●	●
	For touring vehicles	●	●	●	●
	For rally vehicles				●
COMFORT	Anatomical seat contour		●	●	●
	Passive Seat Air Conditioning			●	
	Paddable lumbar support	○	○	●	
	Pad Kit S (Replaceable pads for drivers of small build)	○	○		
	Pad Kit M (Replaceable pads for drivers of medium build)	●	●	○	
	Pad Kit L (Replaceable pads for drivers of large build)	○	○	○	
	Seat in XL version				○
	Flexible sidemount (fore-aft adjustment for preferred sitting positions)	●	●		○
Fixed steel sidemount		○	○	○	
LIGHTWEIGHT	Seat shell made of carbon (CFRP)	●	●	●	
	Seat shell made from carbon and aramid composite (CFRP/AFRP)				●
	Weight: complete shell (incl. foam and upholstery, without sidemount)	~ 30.6 lbs / 13.9 kg	~ 32.4 lbs / 14.7 kg	L: ~13 lbs / 5.9 kg M: ~13.4 / 6.1 kg	SPA: ~15.4 lbs / 7 kg SPA XL: ~16.5 lbs / 7.5 kg
	Fixed aluminum sidemounts				○ SPA XL
SAFETY	Advanced Racing Seat (FIA 8862-2009)	●	●		
	Competition Seat (FIA 8855-1999)			●	●
	Suitable for 4-, 5- or 6-point belts	●	●	●	●
	Suitable for head & neck restraint systems	●	●	●	●
	Shock-absorbent foam	●	●	●	●
	Highly flame-retardant upholstery	● ISO 3795	● ISO 3795	● ISO 3795	● FMVSS 302
	FIA approval for 10 years	●	●		
	FIA approval for 5 years			●	●