

RECARO P 1300 GT



UPHOLSTERY OPTIONS



P 1300 GT

MSRP: \$9,125.00
071.71.0995-01

ACCESSORIES



Flexible Adapter

MSRP: Included
7308864NA



Pad Kit S: Blue

MSRP: \$525.00
7221389.A15NA
(Set of 6, w/o Seat Cushion)



Pad Kit L: Red

MSRP: \$525.00
7221390.A16NA
(Set of 5, w/o Seat Cushion)



Lumbar Pad: Black Velour

MSRP: \$145.00
7221984.995NA

Other accessories available



THE SEATS FOR WINNERS

The highlight of the RECARO racing range. The blend of maximum safety and custom comfort is what makes the P 1300 GT so unique. This seat meets FIA Standard 8862-2009 for Advanced Racing Seats. Its interchangeable pads – available in three sizes – give you a wide range of options to tailor the seat to your specific needs. It's ideally suited for racing use with frequent, fast driver changeovers. The P 1300 GT is homologated exclusively for use in GT and touring car sport.

FEATURES AND ATTRIBUTES

- FIA certified and crash tested, for 10 year's use in FIA-sanctioned races
- Includes the P 1300 GT flexible adapter, an FIA certified sliding seat adapter system
- Side-impact neck protection, developed and optimized to work with head and neck safety systems
- RECARO proprietary ergonomics: S-shaped backrest with "built-in" lumbar support that protects against spinal compression in high-impact accidents
- RECARO high-integrity, lightweight, Carbon-Kevlar® comfort shell
- Aggressive thigh & torso bolstering
- High-quality, shock-absorbing foam in flexible pad system
- Flame-retardant material cover for RECARO flexible pad set
- Screw-mounted panels and belt slots
- Suitable for 4, 5, or 6 point harness

SPECIFICATIONS

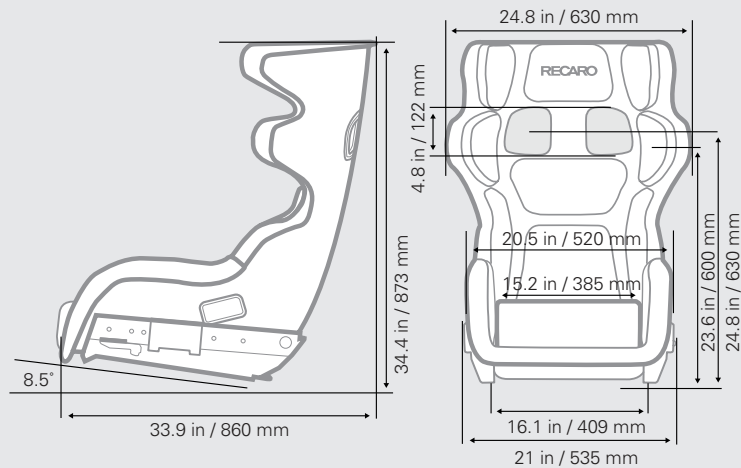
Max height: 34.4 inches / 873 mm

Max length: 33.9 inches / 860 mm

Weight: 32.4 lb. / 14.7 kg (with pads / upholstery)

Weight: 25.1 lb. / 11.4 kg (without pads / upholstery)

- Flexible Adaptor P1300 GT (FIA certified) - Included (Item # 7308864)
- Mounting hardware varies based on the vehicle the seat will be installed
- Check with your dealer / installer for fitment and necessary mounting hardware for your vehicle application



Dimensions do not include mounting hardware

RACING SEATS

OVERVIEW OF SEAT OPTIONS

- Standard features, ○ Option/accessories



**RECARO
P1300 GT LW**

**RECARO
P1300 GT**

**RECARO
Podium (FIA)**

**RECARO Pro Racer
SPA, SPA XL**

		RECARO P1300 GT LW	RECARO P1300 GT	RECARO Podium (FIA)	RECARO Pro Racer SPA, SPA XL
USE	For GT vehicles/sports cars	●	●	●	●
	For touring vehicles	●	●	●	●
	For rally vehicles				●
COMFORT	Anatomical seat contour		●	●	●
	Passive Seat Air Conditioning			●	
	Paddable lumbar support	○	○	●	
	Pad Kit S (Replaceable pads for drivers of small build)	○	○		
	Pad Kit M (Replaceable pads for drivers of medium build)	●	●	○	
	Pad Kit L (Replaceable pads for drivers of large build)	○	○	○	
	Seat in XL version				○
	Flexible sidemount (fore-aft adjustment for preferred sitting positions)	●	●		○
Fixed steel sidemount		○	○	○	
LIGHTWEIGHT	Seat shell made of carbon (CFRP)	●	●	●	
	Seat shell made from carbon and aramid composite (CFRP/AFRP)				●
	Weight: complete shell (incl. foam and upholstery, without sidemount)	~ 30.6 lbs / 13.9 kg	~ 32.4 lbs / 14.7 kg	L: ~13 lbs / 5.9 kg M: ~13.4 / 6.1 kg	SPA: ~15.4 lbs / 7 kg SPA XL: ~16.5 lbs / 7.5 kg
	Fixed aluminum sidemounts				○ SPA XL
SAFETY	Advanced Racing Seat (FIA 8862-2009)	●	●		
	Competition Seat (FIA 8855-1999)			●	●
	Suitable for 4-, 5- or 6-point belts	●	●	●	●
	Suitable for head & neck restraint systems	●	●	●	●
	Shock-absorbent foam	●	●	●	●
	Highly flame-retardant upholstery	● ISO 3795	● ISO 3795	● ISO 3795	● FMVSS 302
	FIA approval for 10 years	●	●		
FIA approval for 5 years			●	●	