

RECARO PRO RACER SPA / SPA XL



UPHOLSTERY OPTIONS



**Pro Racer SPA
Velour Black**
MSRP: \$4,145.00
071.36.0630-01



**Pro Racer SPA XL
Velour Black**
MSRP: \$4,225.00
071.44.0630-01

ACCESSORIES



Steel sidemount
MSRP: \$245.00
360942-01



Flexible adaptor
MSRP: \$845.00
7221002NA
MSRP: \$995.00
7206293NA (XL)

Other accessories available



FOR PROS WHO LIKE TO WIN

The tough, lightweight Pro Racer SPA is our top product for GT and touring car racing. It provides optimal body support during high g-forces, lightweight with its Carbon-Kevlar® composite shell, plus great long-term driver comfort and safety. That adds up to a competitive edge in driving performance.

The Pro Racer SPA's ergonomic S-shaped shell fits the natural curve of your spine, providing "built-in" structured lumbar support that protects against spinal compression in high-impact accidents.

FEATURES AND ATTRIBUTES

- FIA certified and crash tested
- Certified for 5 year's use in FIA-sanctioned races
- Side-impact neck protection developed and optimized to work with head and neck safety systems
- RECARO high-integrity, Carbon-Kevlar® comfort shell
- XL seat fits average-size North American drivers; the standard size fits smaller drivers
- Aggressive thigh and torso bolstering
- High-quality, durable, shock-absorbing foam
- RECARO friction grip at shoulders
- Flame-retardant upholstery
- Suitable for 4, 5, or 6-point harnesses

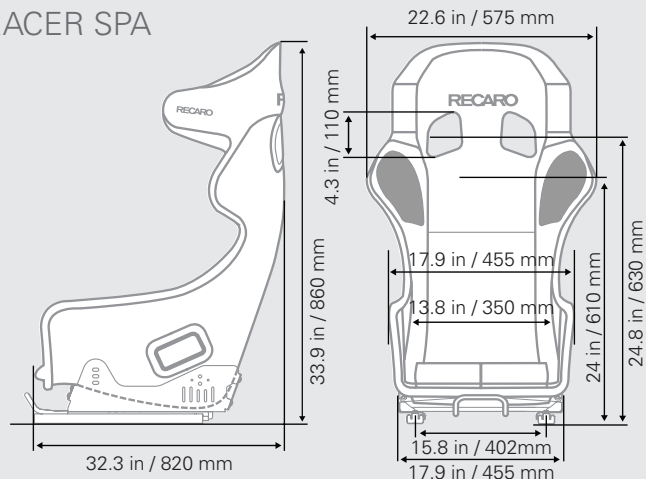
SPECIFICATIONS

	Pro Racer SPA	Pro Racer SPA XL
Weight	15.4 lbs / 7.0 kg	16.5 lbs / 7.5 kg
Max Height	33.8 in / 860 mm	36 in / 915 mm
Max Length	32.3 in / 820 mm	32.3 in / 820 mm

Weight noted does not include mounting hardware

- All mounting hardware sold separately
- Mounting hardware varies based on the vehicle the seat will be installed
- Check with your dealer / installer for fitment and necessary mounting hardware for your vehicle application

PRO RACER SPA



Dimensions do not include mounting hardware

RACING SEATS

OVERVIEW OF SEAT OPTIONS

- Standard features, ○ Option/accessories



**RECARO
P1300 GT LW**

**RECARO
P1300 GT**

**RECARO
Podium (FIA)**

**RECARO Pro Racer
SPA, SPA XL**

		RECARO P1300 GT LW	RECARO P1300 GT	RECARO Podium (FIA)	RECARO Pro Racer SPA, SPA XL
USE	For GT vehicles/sports cars	●	●	●	●
	For touring vehicles	●	●	●	●
	For rally vehicles				●
COMFORT	Anatomical seat contour		●	●	●
	Passive Seat Air Conditioning			●	
	Paddable lumbar support	○	○	●	
	Pad Kit S (Replaceable pads for drivers of small build)	○	○		
	Pad Kit M (Replaceable pads for drivers of medium build)	●	●	○	
	Pad Kit L (Replaceable pads for drivers of large build)	○	○	○	
	Seat in XL version				○
	Flexible sidemount (fore-aft adjustment for preferred sitting positions)	●	●		○
Fixed steel sidemount		○	○	○	
LIGHTWEIGHT	Seat shell made of carbon (CFRP)	●	●	●	
	Seat shell made from carbon and aramid composite (CFRP/AFRP)				●
	Weight: complete shell (incl. foam and upholstery, without sidemount)	~ 30.6 lbs / 13.9 kg	~ 32.4 lbs / 14.7 kg	L: ~13 lbs / 5.9 kg M: ~13.4 / 6.1 kg	SPA: ~15.4 lbs / 7 kg SPA XL: ~16.5 lbs / 7.5 kg
	Fixed aluminum sidemounts				○ SPA XL
SAFETY	Advanced Racing Seat (FIA 8862-2009)	●	●		
	Competition Seat (FIA 8855-1999)			●	●
	Suitable for 4-, 5- or 6-point belts	●	●	●	●
	Suitable for head & neck restraint systems	●	●	●	●
	Shock-absorbent foam	●	●	●	●
	Highly flame-retardant upholstery	● ISO 3795	● ISO 3795	● ISO 3795	● FMVSS 302
	FIA approval for 10 years	●	●		
FIA approval for 5 years			●	●	