

## RECARO PROFI SPG



### UPHOLSTERY OPTIONS



**Profi SPG Velour Black**  
MSRP: \$1,375.00  
070.91.UU11-01

### ACCESSORIES



**Steel sidemount**  
MSRP: \$245.00  
360942



**Aluminum sidemount**  
MSRP: \$295.00  
7207000ANA

### PREMIUM HOLD

All race drivers want to win. That's the goal. And winning starts with how you fit in the car and relate ergonomically to its controls. Our Profi SPG seat provides optimal body support during high g-forces, keeping you firmly in the right place to do your job. It also provides great long-term driver comfort, and the combination gives you a competitive edge in driving performance.

The Profi SPG's ergonomic S-shaped fiberglass shell fits the natural curve of your spine, providing "built-in" structured lumbar support that protects against spinal compression in high-impact accidents.

### FEATURES AND ATTRIBUTES

- FIA certified and crash tested
- RECARO proprietary ergonomics: S-shaped shell with "built-in" lumbar support
- RECARO high-integrity fiberglass comfort shell
- Aggressive thigh and torso bolstering
- Lumbar cushions
- Shock-absorbing foam
- RECARO friction grip at shoulders
- Screw-mounted panels at belt slots
- Flame-retardant upholstery
- High-quality, durable foam
- Suitable for 4, 5, or 6-point harnesses



## SPECIFICATIONS

**Weight: 15.4 lbs / 7.0 kg**

**Max height: 32.6 in / 830 mm**

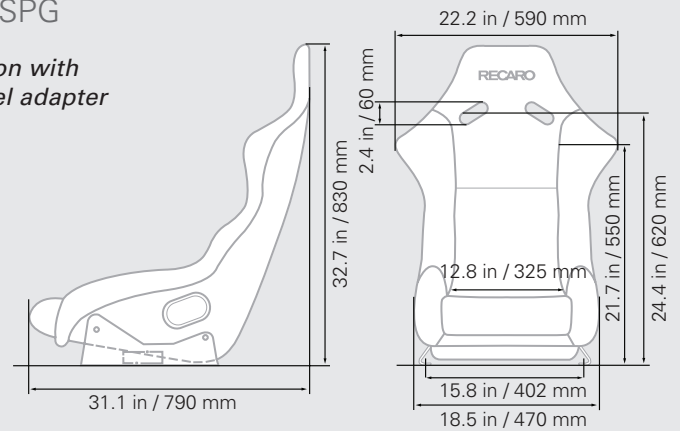
**Max Length: 31.1 in / 790 mm**

*Weight noted does not include mounting hardware*

- All mounting hardware sold separately
- Mounting hardware varies based on the vehicle the seat will be installed
- Check with your dealer / installer for fitment and necessary mounting hardware for your vehicle application

## PROFI SPG

*Illustration with rigid steel adapter*



*Dimensions do not include mounting hardware*

## COMPETITION SEATS



**RECARO  
Pro Racer  
SPG, SPG XL**

**RECARO  
Pro Racer  
SPG XL ORV**

**RECARO  
Profi  
SPG**

**RECARO  
Pole Position  
N.G. (FIA)**

**RECARO  
Pole Position  
(ABE)**

### OVERVIEW OF SEAT OPTIONS

- Standard features, ○ Option/accessories

		RECARO Pro Racer SPG, SPG XL	RECARO Pro Racer SPG XL ORV	RECARO Profi SPG	RECARO Pole Position N.G. (FIA)	RECARO Pole Position (ABE)
USE	For GT vehicles/sports cars	●			●	●
	For touring vehicles	●			●	●
	For rally vehicles	●	●	●		●
COMFORT	Anatomical seat contour	●		●	●	●
	Passive Seat Air Conditioning					
	Paddable lumbar support			●	●	●
	High seat cushion	●	○			
	Seat in XL version	○	●	○		
	Flexible sidemount (fore-aft adjustment for preferred sitting positions)	○				
	Fixed steel sidemount	○	○	○	●	○
LIGHTWEIGHT	Seat shell made of carbon (CFRP)					○
	Seat shell made from carbon and aramid composite (CFRP/AFRP)	●				
	Seat shell glass fiber reinforced polymer (GFRP)	●	●		●	○
	Weight: complete shell (incl. foam and upholstery, without sidemount)	SPG: ~9.0 kg SPG XL: ~10.0 kg	~8.9 kg	~7.0 kg	~7.7 kg	~7.0 kg (GFRP)
	Fixed aluminum sidemounts	○	○	○	○	○
SAFETY	Competition Seat (FIA 8855-1999)	●	●	●	●	
	Suitable for 4-, 5- or 6-point belts	●	●	●	●	●
	Suitable for head & neck restraint systems	●	●	●	●	●
	Shock-absorbent foam	●	●	●	●	
	Highly flame-retardant upholstery (ISO 3795)					●
	Highly flame-retardant upholstery (FMVSS 302)	●	●	●	●	
FIA approval for 5 years	●	●	●	●		