

RECARO SPEED



UPHOLSTERY OPTIONS



**Black Nardo /
White Logo**
SPD.00.000.NN11



**Black Nardo /
Logo Red**
SPD.00.000.NNSF



**Black Nardo /
Logo Blue**
SPD.00.000.NNWL



**Black Vinyl /
Saturn Black**
SPD.00.000.YG11

ACCESSORIES



Inside Bar, No Tabs
0.70.9NT



Inside Bar w/ Tabs
0.70.9

SEATING COMFORT

The RECARO Speed seat was inspired by our racing shells, and is designed for the rigors of performance driving. When you sit in a RECARO Speed seat, you can feel the difference that superior ergonomics can make. The entire seat is lined with thick, dense, high-quality foam that keeps you firmly in place and ensures long lasting support and comfort.

FEATURES AND ATTRIBUTES

- RECARO proprietary ergonomics: S-shaped backrest designed to align the spinal column in its most natural and healthy position.
- RECARO's proprietary integrated lumbar support technology provides superior comfort and support.
- Look and feel of a racing seat, with comfort for everyday driving
- Pronounced seat cushion and backrest bolsters provide firm lateral hold
- Shoulder, back and thigh bolsters designed to hold you in a correct seating position for high performance driving
- Backrest easily adjustable with a manual dial for millimeter precision
- Integrated headrest and belt pass-through openings
- Seatback tilt-forward release and recline adjustment on both sides – same seat works for driver and front passenger sides
- Optional subhole in Speed (SPD) cushion for 5-point harness

SPECIFICATIONS

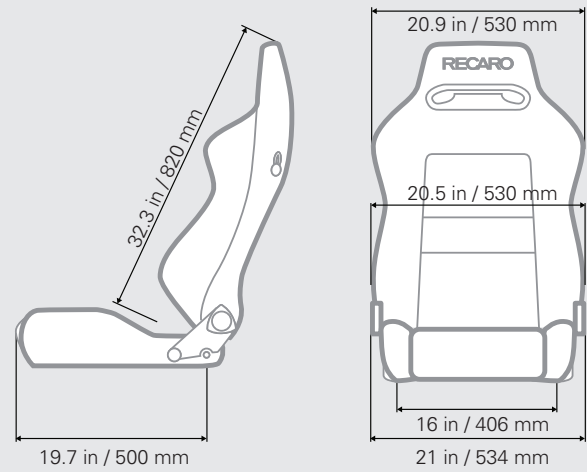
Weight: 31 lbs / 14.5 kg

Max height: 32.5 inches / 820 mm

Max seat cushion depth: 19.7 inches / 500 mm

Max seat cushion width: 21 inches / 534 mm

- Check with your dealer / installer for fitment and necessary mounting hardware for your vehicle application
- Mounting hardware varies based on the vehicle the seat will be installed in
- Optional manually adjustable lumbar available
- Optional 5 or 6 Point Harness slot
- Adapters and Sliders sold separately
- All mounting hardware sold separately



Dimensions do not include mounting hardware

DYNAMIC SEATS

OVERVIEW OF SEAT OPTIONS

- Standard features, ○ Option/accessories



RECARO Speed



RECARO Speed V



RECARO Cross Sportster ORV



RECARO Cross Sportster CS



RECARO Sportster CS



RECARO Sportster GT

	RECARO Speed	RECARO Speed V	RECARO Cross Sportster ORV	RECARO Cross Sportster CS	RECARO Sportster CS	RECARO Sportster GT
TAILORED COMFORT	Lumbar support	● Paddable	● Paddable	●	●	●
	Tilt adjustment, manual	●				●
	Seat heating				○	○
	Easy Access			●	●	
	Backrest release on both sides	●	●			
MATERIALS	Highly fire-resistant upholstery	●	●	●	●	●
	Composite materials	●	●	●	●	●
SPORTY PERFORMANCE	Integrated headrest	●	●	●	●	●
	Seat for off-road vehicles			●		
	Suitable for 3-, 4--point belts	●	●	●	●	●
	Optional slot for 5-, 6-point harness	○	○	●	●	○
	Special lateral support in the backrest area	●	●	●	●	●
	Special lateral support in the seat cushion area	●	●	●	●	●
	Specially formed shoulder support	●	●	●	●	●
	Dynamic ride performance	●	●	●	●	●
Slim design			●	●	●	