

RECARO SPORTSTER CS



UPHOLSTERY OPTIONS



**Vinyl Black /
Suede Black**
410.100.3216



Leather Black
410.100.3217
Heat: 410.110.3217



Nardo / Carbon
410.100.3215



**Leather Black /
Carbon Weave**
410.100.3167
Heat: 414.110.3167



**Vinyl Black /
Suede (Red, Grey, Blue)**
Red: 410.100.3164
Grey: 410.100.3166
Blue: 410.100.3165

ELITE PERFORMANCE

The highlight of the RECARO sports seat range. The RECARO Sportster CS is the perfect combination of comfortable sports seat and pure racing shell. The innovative lightweight shell boasts an exclusive slim design, plus outstanding lateral and shoulder support. Many car manufacturers offer the Sportster CS as standard equipment in their high-performance models.

FEATURES AND ATTRIBUTES

- RECARO proprietary ergonomics: S-shaped backrest designed to align the spinal column in its most natural and healthy position.
- RECARO Automotive's proprietary integrated lumbar support technology provides superior comfort and support and pronounced side support at thigh, thorax and shoulder area to fix the driver's body in a safe position
- Look and feel of a racing seat, with comfort for everyday driving
- High seat cushion bolsters that provide firm lateral hold
- Shoulder, back and thigh bolsters designed to hold you in a correct seating position for high performance driving
- Integrated headrest and belt pass-through openings
- Belt slots for 3- and 4-point belt
- Reclinable backrest, integrated headrest
- Manual backrest release for rear seat access
- Seat heating optional

SPECIFICATIONS

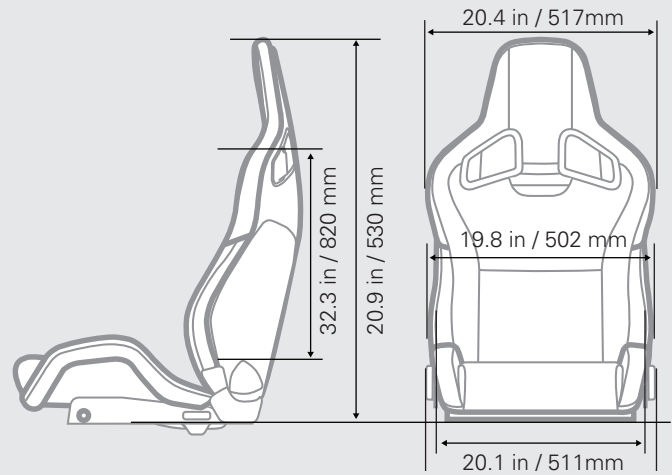
Weight: 33 lbs / 15 kg

Max height: 36.2 inches / 918 mm

Max seat cushion depth: 19 inches / 483 mm

Max seat cushion width: 21.3 inches / 539 mm

- All mounting hardware sold separately
- Mounting hardware varies based on the vehicle the seat will be installed
- Check with your dealer / installer for fitment and necessary mounting hardware for your vehicle application



Dimensions do not include mounting hardware

DYNAMIC SEATS

OVERVIEW OF SEAT OPTIONS

- Standard features, ○ Option/accessories



RECARO Speed



RECARO Speed V



RECARO Cross Sportster ORV



RECARO Cross Sportster CS



RECARO Sportster CS



RECARO Sportster GT

	RECARO Speed	RECARO Speed V	RECARO Cross Sportster ORV	RECARO Cross Sportster CS	RECARO Sportster CS	RECARO Sportster GT
TAILORED COMFORT	Lumbar support	● Paddable	● Paddable	●	●	●
	Tilt adjustment, manual	●				●
	Seat heating				○	○
	Easy Access			●	●	
	Backrest release on both sides	●	●			
MATERIALS	Highly fire-resistant upholstery	●	●	●	●	●
	Composite materials	●	●	●	●	
SPORTY PERFORMANCE	Integrated headrest	●	●	●	●	●
	Seat for off-road vehicles			●		
	Suitable for 3-, 4-point belts	●	●	●	●	●
	Optional slot for 5-, 6-point harness	○	○	●		○
	Special lateral support in the backrest area	●	●	●	●	●
	Special lateral support in the seat cushion area	●	●	●	●	●
	Specially formed shoulder support	●	●	●	●	●
	Dynamic ride performance	●	●	●	●	●
Slim design			●	●	●	