

RECARO SPORTSTER GT



UPHOLSTERY OPTIONS



**Nardo Black /
Silver logo**
410.1GT.3163



**Vinyl Black /
Red Suede**
410.1GT.3164



**Vinyl Black /
Blue Suede**
410.1GT.3165



**Vinyl Black /
Cloud Grey Suede**
410.1GT.3166



**Leather Black /
Carbon Weave**
410.1GT.3167

ACCESSORIES



**Sportster GT / CS
Slider Track Kit,
Inside Bar, No Tabs**
7227671

ELEGANCE WITH PERFORMANCE

Our Sportster GT seat is based on our racing-inspired Sportster CS model, with unique design features and fabrics that will complement the styling of high-end sports cars and sports sedans. It combines the features of a sports seat and the lightweight shell of a racing seat. The innovative, reinforced polymer-based backrest provides good comfort along with optimum body support with its pronounced side bolsters and excellent shoulder support. After a long drive your body feels relaxed and you feel refreshed. You have been riding in seats with comfort and ergonomic qualities that are reminiscent of the world's top sport-luxury automobiles.

FEATURES AND ATTRIBUTES

- Exclusive, sporty seat design, feel and performance
- RECARO's proprietary integrated lumbar support technology provides superior comfort and support.
- RECARO's proprietary pronounced side support at thigh, thorax and shoulder area to fix the driver's body in a safe position.
- Metal seat base with reinforced polymer backrest
- Shoulder, back and thigh bolsters designed to hold you in a correct seating position for high performance driving
- Backrest easily adjustable with a manual dial for millimeter precision
- Ultra-thin backrest provides superior ergonomics, unique styling, interior space savings, and lighter weight
- Ingenious integrated side-mounts provide easy attachment to other vehicle installation hardware
- Flame-retardant materials

SPECIFICATIONS

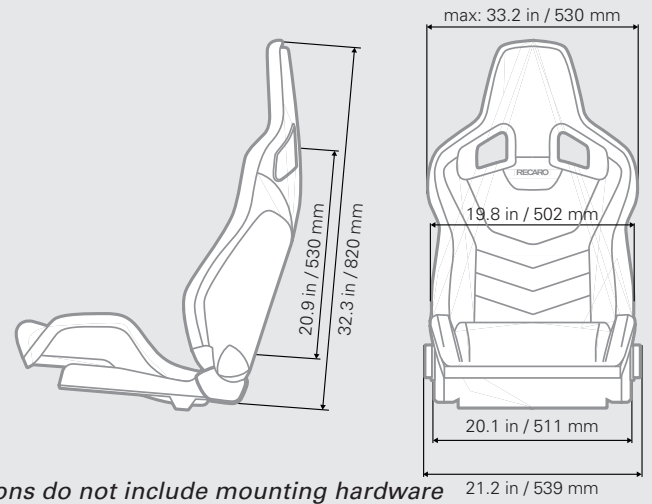
Weight: 33 lbs / 15 kg

Max height: 36.2 inches / 918 mm

Max seat cushion depth: 19 inches / 483 mm

Max seat cushion width: 21.3 inches / 539 mm

- All mounting hardware sold separately
- Mounting hardware varies based on the vehicle the seat will be installed
- Check with your dealer / installer for fitment and necessary mounting hardware for your vehicle application



Dimensions do not include mounting hardware

DYNAMIC SEATS

OVERVIEW OF SEAT OPTIONS

- Standard features, ○ Option/accessories



RECARO Speed



RECARO Speed V



RECARO Cross Sportster ORV



RECARO Cross Sportster CS



RECARO Sportster CS



RECARO Sportster GT

	RECARO Speed	RECARO Speed V	RECARO Cross Sportster ORV	RECARO Cross Sportster CS	RECARO Sportster CS	RECARO Sportster GT
TAILORED COMFORT	Lumbar support	● Paddable	● Paddable	●	●	●
	Tilt adjustment, manual	●				●
	Seat heating				○	○
	Easy Access			●	●	
	Backrest release on both sides	●	●			
MATERIALS	Highly fire-resistant upholstery	●	●	●	●	●
	Composite materials	●	●	●	●	
SPORTY PERFORMANCE	Integrated headrest	●	●	●	●	●
	Seat for off-road vehicles			●		
	Suitable for 3-, 4-point belts	●	●	●	●	●
	Optional slot for 5-, 6-point harness	○	○	●		○
	Special lateral support in the backrest area	●	●	●	●	●
	Special lateral support in the seat cushion area	●	●	●	●	●
	Specially formed shoulder support	●	●	●	●	●
	Dynamic ride performance	●	●	●	●	●
Slim design			●	●	●	