

## RECARO PRO RACER SPG XL ORV



### UPHOLSTERY OPTIONS



**Vinyl Black**  
MSRP: \$2,125.00  
071.88.3204-01

### ACCESSORIES



**Steel Side Mount Set**  
MSRP: \$245.00  
7207450ANA



**Flexible Adapter**  
MSRP: \$995.00  
7206293NA



### A SAFE SEAT IS A SURE WIN

In motorsport, your faith in the quality and reliability of your equipment must be absolute if you're going to win. The Pro Racer SPG XL ORV is specially designed to address off-road race cars requirements and certified to FIA standard 8855-1999. It is ergonomically designed to provide outstanding support, while offering protection for the back and neck against all the forces of a dirt track. The specially designed head surround for better visibility, the friction grip surface around the shoulders, and the highly-effective energy-absorbing ENRg+™ Performance\* cushion foam are all essential when pushing off-road race vehicles to the limit.

### FEATURES AND ATTRIBUTES

- Seat in XL version
- Suitable to work with head and neck safety systems
- Shock-absorbent ENRg+™ Performance\* cushion foam
- Highly flame-retardant upholstery (FMVSS 302)
- Suitable for 4-, 5-, 6-point belt (racing use)
- Seat shell glass fiber reinforced polymer (GFRP)
- Designed for use in off-road vehicles
- Robust cover materials are both weather and abrasion resistant
- FIA certified and crash tested

## SPECIFICATIONS

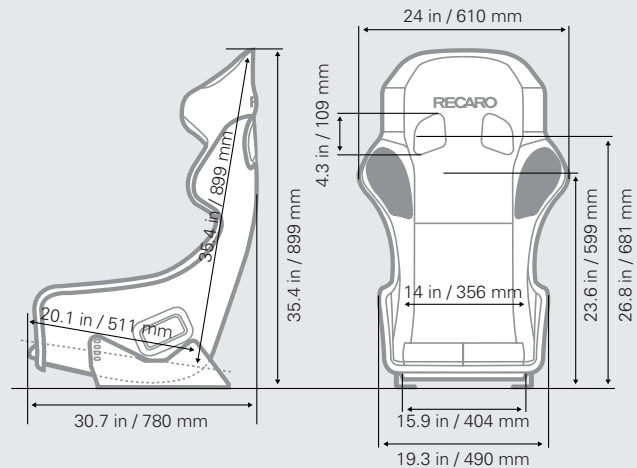
**Weight: 22 lbs / 9.9 kg**

**Max height: 35.4 inches / 899 mm**

**Max seat cushion depth: 20.1 inches / 511 mm**

**Max seat cushion width: 19.3 inches / 490 mm**

- All mounting hardware sold separately
- Mounting hardware varies based on the vehicle the seat will be installed
- Check with your dealer / installer for fitment and necessary mounting hardware for your vehicle application



Picture with fixed steel sidemount

## COMPETITION SEATS

### OVERVIEW OF SEAT OPTIONS

- Standard features, ○ Option/accessories



**RECARO  
Pro Racer  
SPG, SPG XL**



**RECARO  
Pro Racer  
SPG XL ORV**



**RECARO  
Profi  
SPG**



**RECARO  
Pole Position  
N.G. (FIA)**



**RECARO  
Pole Position  
(ABE)**

		●	○	●	○	●	○
USE	For GT vehicles/sports cars	●				●	●
	For touring vehicles	●				●	●
	For rally vehicles	●	●	●		●	●
COMFORT	Anatomical seat contour	●				●	●
	Passive Seat Air Conditioning						
	Paddable lumbar support			●		●	●
	High seat cushion	●	○				
	Seat in XL version	○	●		○		
	Flexible sidemount (fore-aft adjustment for preferred sitting positions)	○					
	Fixed steel sidemount	○	○	○		●	○
LIGHTWEIGHT	Seat shell made of carbon (CFRP)						○
	Seat shell made from carbon and aramid composite (CFRP/AFRP)	●					
	Seat shell glass fiber reinforced polymer (GFRP)	●	●			●	○
	Weight: complete shell (incl. foam and upholstery, without sidemount)	SPG: ~9.0 kg SPG XL: ~10.0 kg	~8.9 kg	~7.0 kg	~7.7 kg	~7.0 kg (GFRP)	
	Fixed aluminum sidemounts	○	○	○	○	○	○
SAFETY	Competition Seat (FIA 8855-1999)	●	●	●	●	●	●
	Suitable for 4-, 5- or 6-point belts	●	●	●	●	●	●
	Suitable for head & neck restraint systems	●	●	●	●	●	●
	Shock-absorbent foam	●	●	●	●	●	●
	Highly flame-retardant upholstery (ISO 3795)						●
	Highly flame-retardant upholstery (FMVSS 302)	●	●	●	●	●	●
FIA approval for 5 years	●	●	●	●	●	●	