

RECARO CLASSIC POLE POSITION (ABE)



UPHOLSTERY OPTIONS



**Black leather /
Pepita fabric**
087.00.0B25-01



Black leather
087.00.0B26-01



**Black leather /
Corduroy**
087.00.0B27-01



**Black leather /
Checked fabric**
087.00.0B28-01

ACCESSORIES



Steel sidemount
7207450A

TRUE CRAFTSMANSHIP

We took the traditional design of classic-look seats and brought it up to date to create the RECARO Classic Pole Position (ABE).

This Classic version of our road-legal RECARO Pole Position (ABE) racing shell, developed from the RECARO shell for the Porsche 964 RS, means you no longer have to choose between authentic appearance and modern safety standards. With its timeless shape and classic vintage covers, this seat will look at home in even the most sporty of vehicle interiors.

FEATURES AND ATTRIBUTES

- Glass fiber-reinforced plastic (GRP) seat shell
- Weight approx. 7.0 kg (without sidemount and baseframe)
- ABE/TÜV component certification*
- Belt slots for 4-, 5- and 6-point belt
- Also suitable for use with a 3-point belt
- Replaceable seat cushion and backrest cushion
- Paddable lumbar support
- Classic RECARO emblem
- RECARO proprietary ergonomics: S-shaped backrest with "built-in" lumbar support that protects against spinal compression in high-impact accidents

**ABE/TÜV component certification with 3-point belt available for many vehicles. For further information on specific vehicles, please contact an authorized RECARO partner (ABE/TÜV component certification only in conjunction with RECARO baseframe and sidemount).*

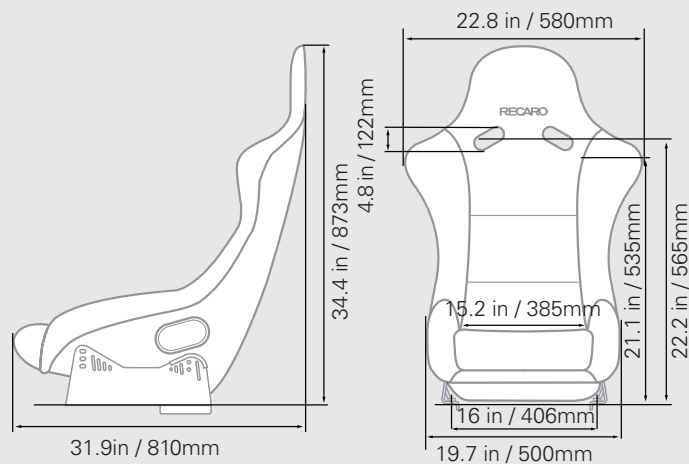
SPECIFICATIONS

Weight: 15.5 lbs / 7.0 kg

Max height: 33.5 inches / 850 mm

Max length: 31.8 inches / 810 mm

- All mounting hardware sold separately
- Mounting hardware varies based on the vehicle the seat will be installed
- Check with your dealer / installer for fitment and necessary mounting hardware for your vehicle application



Dimensions do not include mounting hardware

ORIGINAL CLASSIC LINE

OVERVIEW OF SEAT OPTIONS

- Standard features, ○ Option/accessories



**RECARO
Classic LS**



**RECARO
Classic LX**



**RECARO Classic Pole
Position (ABE)**

		RECARO Classic LS	RECARO Classic LX	RECARO Classic Pole Position (ABE)
USE	For GT vehicles/sports cars	●	●	●
	For touring vehicles	●	●	●
COMFORT	Anatomical seat contour	●	●	●
	Paddable lumbar support	●	●	●
	Backrest adjustment and front folding mechanism on both sides of the seat	●	●	●
	Extendable front seat cushion	●	●	●
	Adjustable headrest	●	●	●
Fixed sidemount	●	●	○	
LIGHTWEIGHT	Seat shell glass fiber reinforced polymer (GFRP)	●	●	●
	Highly fire-resistant upholstery	●	●	●
	Composite materials	●	●	●
	Weight: complete shell (incl. foam and upholstery, without sidemount)	~ 55.1 lbs / 25.0 kg	~ 39.7 lbs / 18.0 kg	~ 15.5 lbs / 7.0 kg
SPORTY PERFORMANCE	Suitable for 4-, 5- or 6-point belts	●	●	●
	Special lateral support in the backrest area	●	●	●
	Special lateral support in the seat cushion area	●	●	●
	Specially formed shoulder support	●	●	●
	Dynamic ride performance	●	●	●