

RECARO CROSS SPORTSTER ORV



UPHOLSTERY OPTIONS



**Vinyl Black /
Vinyl Grey**
414.1OR.3206



Vinyl Black
414.1OR.3207

ACCESSORIES



**Sportster GT/CS/Cross
Slider Track Kit, Inside
Bar, No Tabs**
7227671

OUTDOOR ADVENTURER

The RECARO Cross Sportster ORV is specially designed to address off-road vehicles requirements. Its snug, supportive seat structure and side bolsters for excellent shoulder and torso support stabilize the body against lateral forces, cocooning it like a second skin. The highly-effective vibration damping foam and the particularly robust cover materials are essential when pushing off-road vehicles to the limits.

FEATURES AND ATTRIBUTES

- Vibration damping foam
- Weather and abrasion resistant upholstery materials
- Flat seat cushion with low side bolsters
- Easy access for getting in and out of vehicle
- Sporty seat performance
- Specially formed shoulder support
- Belt slots for 3-, 4-, and 5-point belt
- Reclinable backrest
- Integrated headrest
- Manual backrest release for rear seat access

SPECIFICATIONS

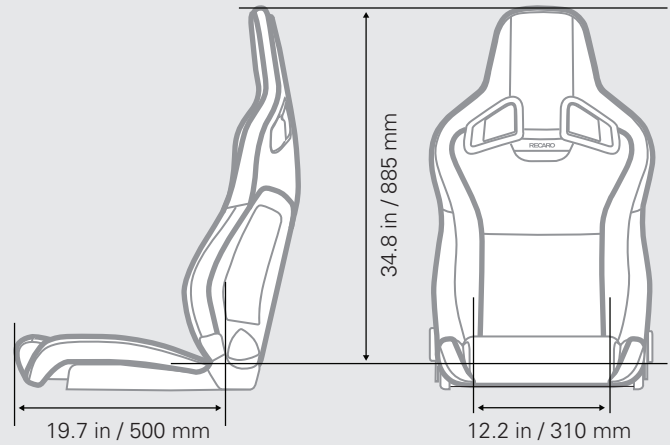
Weight: 33 lbs / 15 kg

Max height: 34.8 inches / 885 mm

Max seat cushion depth: 19.7 inches / 500 mm

Max seat cushion width: 12.2 inches / 310 mm

- All mounting hardware sold separately
- Mounting hardware varies based on the vehicle the seat will be installed
- Check with your dealer / installer for fitment and necessary mounting hardware for your vehicle application



Dimensions do not include mounting hardware

DYNAMIC SEATS

OVERVIEW OF SEAT OPTIONS

- Standard features, ○ Option/accessories



RECARO Speed



RECARO Speed V



RECARO Cross Sportster ORV



RECARO Cross Sportster CS



RECARO Sportster CS



RECARO Sportster GT

| | RECARO Speed | RECARO Speed V | RECARO Cross Sportster ORV | RECARO Cross Sportster CS | RECARO Sportster CS | RECARO Sportster GT |
|--------------------|--|----------------|----------------------------|---------------------------|---------------------|---------------------|
| TAILORED COMFORT | Lumbar support | • Paddable | • Paddable | • | • | • |
| | Tilt adjustment, manual | • | | | | • |
| | Seat heating | | | | ○ | ○ |
| | Easy Access | | | • | • | |
| | Backrest release on both sides | • | • | | | |
| MATERIALS | Highly fire-resistant upholstery | • | • | • | • | • |
| | Composite materials | • | • | • | • | • |
| SPORTY PERFORMANCE | Integrated headrest | • | • | • | • | • |
| | Seat for off-road vehicles | | | • | | |
| | Suitable for 3-, 4-point belts | • | • | • | • | • |
| | Optional slot for 5-, 6-point harness | ○ | ○ | • | | ○ |
| | Special lateral support in the backrest area | • | • | • | • | • |
| | Special lateral support in the seat cushion area | • | • | • | • | • |
| | Specially formed shoulder support | • | • | • | • | • |
| | Dynamic ride performance | • | • | • | • | • |
| Slim design | | | • | • | • | |