

## RECARO ERGOMED ES



### UPHOLSTERY OPTIONS



**Nardo / Artista**  
*Grey: 154.20.1354-01*  
*Black: 154.20.1351-01*



**Leather Black /  
 Artista Black**  
 154.20.1540-01



**Leather Black /  
 Dinamica Black**  
 154.20.1683-01



**Leather Black /  
 Leather Black**  
 154.20.1541-01

### ACCESSORIES



**Outside Tracks**  
*w. Tabs: 0.76.3*  
*w/o Tabs: 0.76.3NT*

### STYLE, QUALITY, COMFORT

The sleek lines, sporty bolstering and beautiful cover details of RECARO's Ergomed ES make it an automotive style classic – a seat created with high-quality, handmade craftsmanship. With power adjustability for lumbar, back and thigh bolsters, seat height, cushion angle and back recline, plus manual adjustment for thigh extension and headrest, this seat offers all the functions and settings to maintain a healthy posture for hours of comfortable driving.

### FEATURES AND ATTRIBUTES

- RECARO proprietary ergonomics: S-shaped backrest designed to align the spinal column in its most natural and healthy position.
- RECARO's Power Airmatic Lumbar System, with two independently adjustable air chambers, provides lumbar adjustment to meet your comfort needs
- Power adjustable back and thigh bolsters can be set independently to perfectly cradle your body and hold it in the correct seating position for high-performance driving
- Fully articulating power height adjustment allows both the cushion angle and height of the seat to adjust
- The seat's thigh extension manually adjusts the length of the seat cushion
- Power recline adjusts the seat back angle for proper driver positioning
- The headrest can be adjusted to comfortably support your head and neck – up, down, and forward tilting

## SPECIFICATIONS

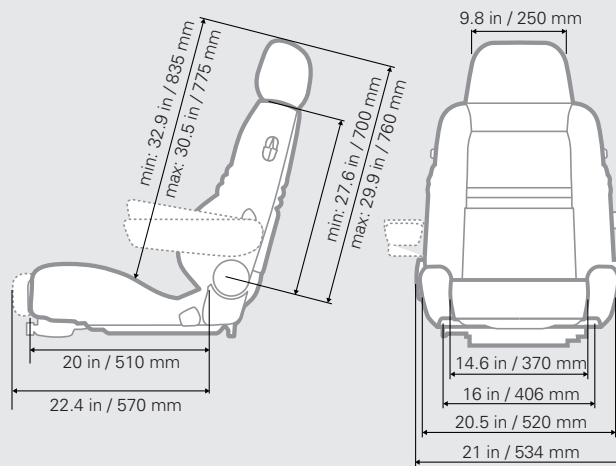
**Weight: 55 lb. / 24.9 kg**

**Max height: 32.9 in. / 835 mm**

**Max seat cushion depth: 22.4 in. / 570 mm**

**Max seat cushion width: 20.5 in. / 520 mm**

- Optional armrests available
- All mounting hardware sold separately
- Mounting hardware varies based on the vehicle the seat will be installed
- Check with your dealer / installer for fitment and necessary mounting hardware for your vehicle application



Dimensions do not include mounting hardware

## PREMIUM COMFORT

### OVERVIEW OF SEAT OPTIONS

- Standard features, ○ Option/accessories



**RECARO  
Ergomed ES**



**RECARO  
Orthopad**



**RECARO  
Expert  
S, M**



**RECARO  
Expert  
Pepita**



**RECARO  
Specialist  
S, M**

	RECARO Ergomed ES	RECARO Orthopad	RECARO Expert S, M	RECARO Expert Pepita	RECARO Specialist S, M	
TAILORED COMFORT	Lumbar support	●	●	● Paddable	● Paddable	● Paddable
	Extendable seat cushion	●	●	● M	●	● M
	Adjustable side bolsters, seat cushion	● Electric				
	Adjustable side bolsters, backrest	● Electric	● Electric	●	●	
	Height adjustment, electric	●				
	Tilt adjustment, electric	●				
	Backrest adjustment, manual			●	●	●
	Backrest adjustment, electric	●	●			
	Adjustable headrest	●	●	●	●	●
	Climate package (heating and cooling)	●	●			
	Easy Access		●	● M	●	● M
	Selection of modular seat cushions			●	●	●
Backrest release on both sides	●	●	●	●	●	
MATERIALS	Highly fire-resistant upholstery	●	●	●	●	●
	Suitable for 3-, 4-point belt (street use)	●	●	●	●	●
PERFORMANCE	Special lateral support in the backrest area	●	●	●	●	●