

RECARO EXPERT S, M



UPHOLSTERY OPTIONS



Nardo Cloth Black

M: *LTW.00.000.NN11*
S: *LTF00.000.NN11*



Nardo / Artista Black

M: *LTW.00.000.NR11*
S: *LTF00.000.NR11*



Nardo / Artista Grey

M: *LTW.00.000.NR55*
S: *LTF00.000.LR11*



Leather / Artista Black

M: *LTW.00.000.LR11*
S: *LTF00.000.LR11*



Leather / Artista Grey

M: *LTW.00.000.LR55*
S: *LTF00.000.LR55*



Leather Beige

M: *LTW.00.000.LL44*
S: *LTF00.000.LL44*



Leather Medium Grey

M: *LTW.00.000.LL55*
S: *LTF00.000.LL55*



Vinyl Black

M: *LTW.00.000.YY11*
S: *LTF00.000.YY11*

More options available

LOOK GREAT ... FEEL GREAT

In comfort and performance, RECARO Expert seats are a giant leap ahead of standard automotive seats. And no other manufacturer can rival the quality and handmade craftsmanship of real RECARO seats. Best of all, these seats, like all RECARO seats, have our proprietary and world-renowned ergonomic technology built in. The result is seats in your car that look great, feel great, are kind to your body, and leave you feeling refreshed after a long drive.

FEATURES AND ATTRIBUTES

- RECARO proprietary ergonomics: S-shaped backrest designed to align the spinal column in its most natural and healthy position.
- RECARO's proprietary integrated lumbar support technology provides superior comfort and support.
- Independently adjustable back bolsters can be set to perfectly cradle your body and hold it in the correct seating position for high-performance driving
- The seat cushion's thigh bolsters give support for spirited driving without hindering easy vehicle entry
- Backrest is easily adjustable with a manual dial for millimeter precision
- Seatback tilt-forward release and recline adjustment on both sides – same seat works for driver and front passenger sides
- The headrest can be adjusted to comfortably support your head and neck – up, down, and forward tilting

SPECIFICATIONS

Weight: 35.3 lbs / 16 kg

Max height: 32.3 inches / 820 mm

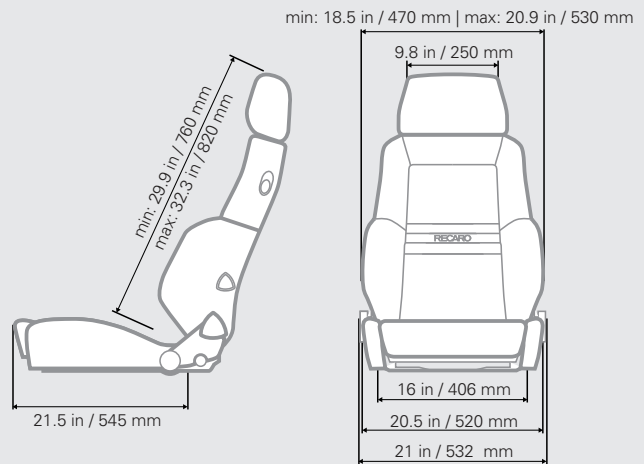
Max seat cushion depth: 21.5 inches / 545 mm

Max seat cushion width: 20.5 inches / 520 mm

- Optional manually adjustable lumbar available
- All mounting hardware sold separately
- Mounting hardware varies based on the vehicle the seat will be installed
- Check with your dealer / installer for fitment and necessary mounting hardware for your vehicle application

EXPERT M MODEL DIFFERENCES:

- Manually adjustable thigh extension to change the seat cushion length to suit your legs
- Flat seat cushion



Dimensions do not include mounting hardware

PREMIUM COMFORT

OVERVIEW OF SEAT OPTIONS

- Standard features, ○ Option/accessories



**RECARO
Ergomed ES**



**RECARO
Orthopad**



**RECARO
Expert
S, M**



**RECARO
Expert
Pepita**



**RECARO
Specialist
S, M**

	RECARO Ergomed ES	RECARO Orthopad	RECARO Expert S, M	RECARO Expert Pepita	RECARO Specialist S, M	
TAILORED COMFORT	Lumbar support	●	●	● Paddable	● Paddable	● Paddable
	Extendable seat cushion	●	●	● M	●	● M
	Adjustable side bolsters, seat cushion	● Electric				
	Adjustable side bolsters, backrest	● Electric	● Electric	●	●	
	Height adjustment, electric	●				
	Tilt adjustment, electric	●				
	Backrest adjustment, manual			●	●	●
	Backrest adjustment, electric	●	●			
	Adjustable headrest	●	●	●	●	●
	Climate package (heating and cooling)	●	●			
	Easy Access		●	● M	●	● M
	Selection of modular seat cushions			●	●	●
Backrest release on both sides	●	●	●	●	●	
MATERIALS	Highly fire-resistant upholstery	●	●	●	●	●
	Suitable for 3-, 4-point belt (street use)	●	●	●	●	●
PERFORMANCE	Special lateral support in the backrest area	●	●	●	●	●