

## RECARO ORTHOPEDED



### UPHOLSTERY OPTIONS



**Nardo Black /  
Artista Black**  
058.20.1351-01



**Nardo Grey /  
Artista Grey**  
058.20.1354-01



**Leather Black /  
Artista Black**  
058.20.1540-01



**Leather Black /  
Dinamica Black**  
058.20.1683-01



**Leather Black**  
058.20.1541-01

### OPTIMAL SUPPORT

As its name suggests, the RECARO Orthopeded seat was developed with many features for correctly supporting the spine, and especially for people who frequently drive for long periods. It features power adjustability for lumbar, back bolsters and back recline, manual adjustment for thigh extension and headrest, plus RECARO's Power Climate Package with both seat heating and ventilation. In addition, its mildly bolstered seat cushion makes it easier to get in and out of the vehicle. Experience for yourself the "comfort therapy" of sitting in a RECARO Orthopeded seat.

### FEATURES AND ATTRIBUTES

- RECARO proprietary ergonomics: S-shaped backrest designed to align the spinal column in its most natural and healthy position.
- RECARO's Power Airmatic Lumbar System, with two independently adjustable air chambers, provides lumbar adjustment to meet your comfort needs
- RECARO's Power Climate Package includes seat and backrest heating to keep you warm in the winter, and a ventilation system to cool the seat in hot weather
- Power adjustable back bolsters can be set to perfectly cradle your body and hold it in the seating position that suits you best
- The seat's thigh extension manually adjusts the length of the seat cushion
- Power recline adjusts the seat back angle for proper driver positioning
- The headrest can be adjusted to comfortably support your head and neck – up, down, and forward tilting

## SPECIFICATIONS

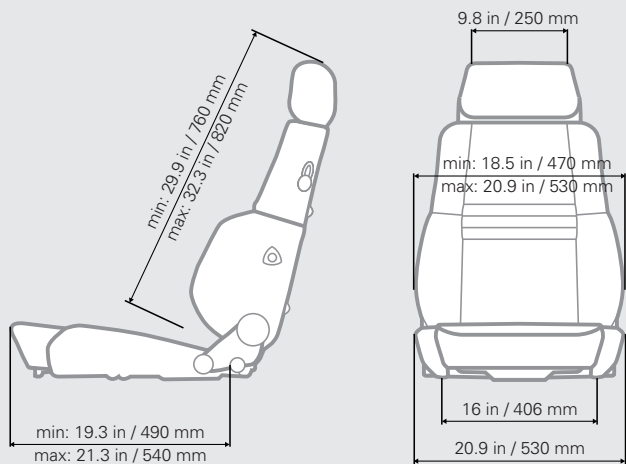
**Weight: 38 lb. / 17.2 kg**

**Max height: 32.3 in. / 820 mm**

**Max seat cushion depth: 21.3 in. / 540 mm**

**Max seat cushion width: 20.9 in. / 530 mm**

- All mounting hardware sold separately
- Mounting hardware varies based on the vehicle the seat will be installed
- Check with your dealer / installer for fitment and necessary mounting hardware for your vehicle application



Dimensions do not include mounting hardware

## PREMIUM COMFORT

### OVERVIEW OF SEAT OPTIONS

- Standard features, ○ Option/accessories



**RECARO Ergomed ES**



**RECARO Orthopad**



**RECARO Expert S, M**



**RECARO Expert Pepita**



**RECARO Specialist S, M**

	RECARO Ergomed ES	RECARO Orthopad	RECARO Expert S, M	RECARO Expert Pepita	RECARO Specialist S, M	
TAILORED COMFORT	Lumbar support	●	●	● Paddable	● Paddable	● Paddable
	Extendable seat cushion	●	●	● M	●	● M
	Adjustable side bolsters, seat cushion	● Electric				
	Adjustable side bolsters, backrest	● Electric	● Electric	●	●	
	Height adjustment, electric	●				
	Tilt adjustment, electric	●				
	Backrest adjustment, manual			●	●	●
	Backrest adjustment, electric	●	●			
	Adjustable headrest	●	●	●	●	●
	Climate package (heating and cooling)	●	●			
	Easy Access		●	● M	●	● M
	Selection of modular seat cushions			●	●	●
Backrest release on both sides	●	●	●	●	●	
MATERIALS	Highly fire-resistant upholstery	●	●	●	●	●
	Suitable for 3-, 4-point belt (street use)	●	●	●	●	●
PERFORMANCE	Special lateral support in the backrest area	●	●	●	●	●