

## RECARO PODIUM



### UPHOLSTERY OPTIONS



**Perlon Velour Black**  
079.61.1B21-01 (Med)  
079.62.1B21-01 (Lg)



**Alcantra Black /  
Leather Red**  
079.61.1B22-01 (Med)  
079.62.1B22-01 (Lg)



**Alcantra Red /  
Leather Black**  
079.61.1B23-01 (Med)  
079.62.1B23-01 (Lg)

### ACCESSORIES



**ABE Steel sidemount**  
5219908



**FIA Steel sidemount**  
5219910

Other accessories available



### Pioneering seat design.

The new RECARO Podium is much more than a thoroughbred CFRP shell seat. It's a pioneering seat design for the contrasting demands of road and track. It's not just its sleek outline, visible structures or innovative pad concept of varying thicknesses that make heads turn. The Podium stands out because of its superior quality and exceptional performance on all road types – whether you're commuting to work or competing to win. The RECARO Podium is the only retrofit shell seat on the market that has FIA homologation and is approved for use on public roads. Racing technology doesn't get better than this!

### Features and Attributes

- RECARO Podium M: with pads for medium build drivers
- RECARO Podium L: with pads for larger build drivers
- ABE and FIA homologation \*/\*\*
- Suitable for track and road
- Carbon fiber reinforced plastic (CFRP) seat shell
- Sleek racing seat look with special lateral support
- Specially formed shoulder support
- Integrated headrest
- Road use: with 3- or 4-point belt | FIA: with 4-, 5- or 6-point belt
- Developed for the use with head and neck safety systems

\* Seat with ABE (German general type approval)/component certification with 3-point belt available for many vehicles.

\*\* FIA homologation 8855-1999 only in conjunction with the specified sidemount.

## SPECIFICATIONS

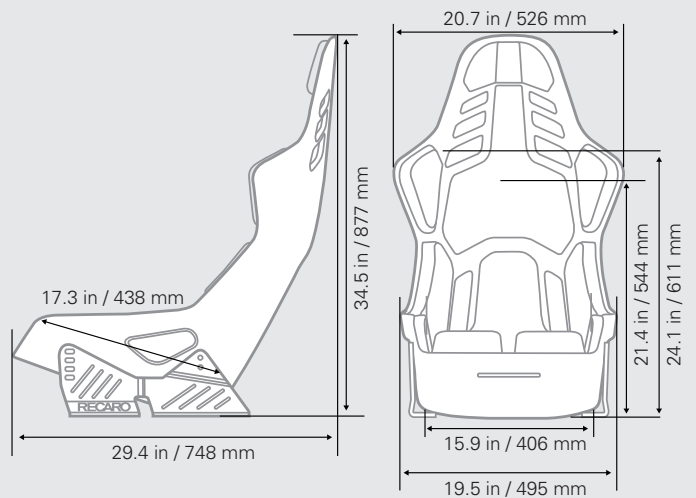
**Weight: 4.9 kg**

**Max height: 14.8 inches / 378 mm**

**Max seat cushion depth: 17.2 inches / 438 mm**

**Max seat cushion width: 15.9 inches / 406 mm**

- Adapters and Sliders sold separately
- All mounting hardware sold separately
- Check with your dealer / installer for fitment and necessary mounting hardware for your vehicle application
- Net seat weight: only approx. 9.5 lbs / 4.3 kg



Dimensions do not include mounting hardware

## RACING SEATS

### OVERVIEW OF SEAT OPTIONS

- Standard features, ○ Option/accessories



**RECARO  
P1300 GT LW**

**RECARO  
P1300 GT**

**RECARO  
Podium (FIA)**

**RECARO Pro Racer  
SPA, SPA XL**

		RECARO P1300 GT LW	RECARO P1300 GT	RECARO Podium (FIA)	RECARO Pro Racer SPA, SPA XL
USE	For GT vehicles/sports cars	●	●	●	●
	For touring vehicles	●	●	●	●
	For rally vehicles				●
COMFORT	Anatomical seat contour		●	●	●
	Passive Seat Air Conditioning			●	
	Paddable lumbar support	○	○	●	
	Pad Kit S (Replaceable pads for drivers of small build)	○	○		
	Pad Kit M (Replaceable pads for drivers of medium build)	●	●	○	
	Pad Kit L (Replaceable pads for drivers of large build)	○	○	○	
	Seat in XL version				○
	Flexible sidemount (fore-aft adjustment for preferred sitting positions)	●	●		○
Fixed steel sidemount		○	○	○	
LIGHTWEIGHT	Seat shell made of carbon (CFRP)	●	●	●	
	Seat shell made from carbon and aramid composite (CFRP/AFRP)				●
	Weight: complete shell (incl. foam and upholstery, without sidemount)	~ 30.6 lbs / 13.9 kg	~ 32.4 lbs / 14.7 kg	L: ~13 lbs / 5.9 kg M: ~13.4 / 6.1 kg	SPA: ~15.4 lbs / 7 kg SPA XL: ~16.5 lbs / 7.5 kg
	Fixed aluminum sidemounts				○ SPA XL
SAFETY	Advanced Racing Seat (FIA 8862-2009)	●	●		
	Competition Seat (FIA 8855-1999)			●	●
	Suitable for 4-, 5- or 6-point belts	●	●	●	●
	Suitable for head & neck restraint systems	●	●	●	●
	Shock-absorbent foam	●	●	●	●
	Highly flame-retardant upholstery	● ISO 3795	● ISO 3795	● ISO 3795	● FMVSS 302
	FIA approval for 10 years	●	●		
	FIA approval for 5 years			●	●