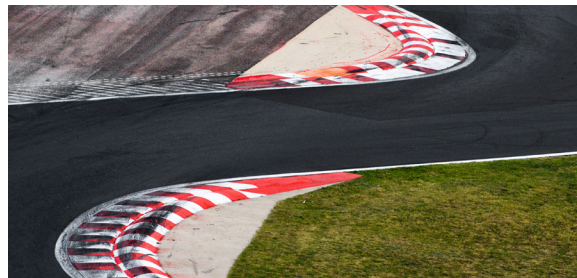


POLE POSITION N.G. (FIA)



UPHOLSTERY OPTIONS



Velour Black
070.98.UU11-01

**IMAGE
COMING
SOON**

Leather Black
070.98.LL11-01

**IMAGE
COMING
SOON**

**Leather Black /
Suede Grey**
070.98.LS19-01



**Jersey Red /
Suede Red**
070.98.JS06-01

A COMPETITIVE DIFFERENCE

For racing drivers, the seat is one of the most important parts of the car. A racing seat with optimal body support during high g-forces, plus great long-term driver comfort equals a competitive edge in driving performance. It's also a safety device that protects the driver from injury.

The RECARO Pole Position N.G. (FIA) gives you both performance and safety. More than 50 years of experience in racing seat technology goes into its design. The seat is amazingly comfortable, provides the best-possible protection, with support that holds the driver firmly in the right position to get the job done.

FEATURES AND ATTRIBUTES

- FIA certified and crash tested
- Certified for 5 year's use in FIA-sanctioned races
- RECARO proprietary ergonomics: S-shaped backrest with "built-in" lumbar support that protects against spinal compression in high-impact accidents
- Aggressive thigh and torso bolstering
- Long-lasting, high-quality and flame retardant upholstery
- High-quality, durable foam
- Screw-mounted panels at belt slots
- Replaceable seat and backrest cushions
- Suitable for 4-, 5- or 6-point harnesses
- Includes FIA-approved Pole Position N.G. (FIA) Steel Side Mount (item #7223825)

SPECIFICATIONS

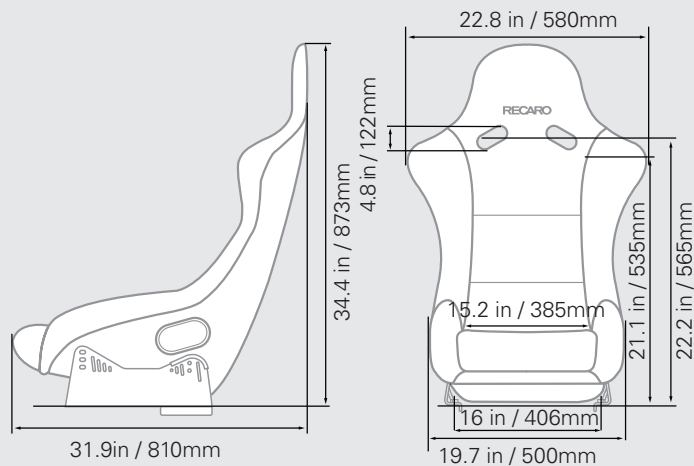
Weight: 17 lbs / 7.7 kg

Max height: 33.5 inches / 850 mm

Max seat cushion depth: 31.8 inches / 810 mm

Max seat cushion width: 15.2 inches / 385 mm

- Includes Pole Position Steel Side Mount - No Substitutions
- Mounting hardware varies based on the vehicle the seat will be installed
- Check with your dealer / installer for fitment and necessary mounting hardware for your vehicle application



Dimensions do not include mounting hardware

COMPETITION SEATS

OVERVIEW OF SEAT OPTIONS

- Standard features, ○ Option/accessories



**RECARO
Pro Racer
SPG, SPG XL**



**RECARO
Pro Racer
SPG XL ORV**



**RECARO
Profi
SPG**



**RECARO
Pole Position
N.G. (FIA)**



**RECARO
Pole Position
(ABE)**

		RECARO Pro Racer SPG, SPG XL	RECARO Pro Racer SPG XL ORV	RECARO Profi SPG	RECARO Pole Position N.G. (FIA)	RECARO Pole Position (ABE)
USE	For GT vehicles/sports cars	●			●	●
	For touring vehicles	●			●	●
	For rally vehicles	●	●	●		●
COMFORT	Anatomical seat contour	●		●	●	●
	Passive Seat Air Conditioning					
	Paddable lumbar support			●	●	●
	High seat cushion	●	○			
	Seat in XL version	○	●	○		
	Flexible sidemount (fore-aft adjustment for preferred sitting positions)	○				
	Fixed steel sidemount	○	○	○	●	○
LIGHTWEIGHT	Seat shell made of carbon (CFRP)					○
	Seat shell made from carbon and aramid composite (CFRP/AFRP)	●				
	Seat shell glass fiber reinforced polymer (GFRP)	●	●		●	○
	Weight: complete shell (incl. foam and upholstery, without sidemount)	SPG: ~9.0 kg SPG XL: ~10.0 kg	~8.9 kg	~7.0 kg	~7.7 kg	~7.0 kg (GFRP)
	Fixed aluminum sidemounts	○	○	○	○	○
SAFETY	Competition Seat (FIA 8855-1999)	●	●	●	●	
	Suitable for 4-, 5- or 6-point belts	●	●	●	●	●
	Suitable for head & neck restraint systems	●	●	●	●	●
	Shock-absorbent foam	●	●	●	●	
	Highly flame-retardant upholstery (ISO 3795)					●
	Highly flame-retardant upholstery (FMVSS 302)	●	●	●	●	
FIA approval for 5 years	●	●	●	●		