

## RECARO PRO RACER SPG / SPG XL



### UPHOLSTERY OPTIONS



**Pro Racer SPG  
Velour Black**  
071.28.UU11-01



**Pro Racer SPG XL  
Velour Black**  
071.38.0630-01

### ACCESSORIES



**Steel sidemount**  
360942



**Flexible adaptor**  
7221002NA  
7206293NA (XL)



### FOR PROS WHO LIKE TO WIN

The RECARO Pro Racer – our premium product for GT and touring cars built to the FIA 8855-1999 standard – was developed to work with head and neck safety systems and comes in four versions. The seat is available in glass fiber reinforced polymer (GFRP), and in various sizes, including an XL option for drivers of larger build. The Pro Racer fits like a glove. And the FIA-homologated flexible sidemount accommodates any driver's height with ease.

### FEATURES AND ATTRIBUTES

- Shock-absorbent foam
- Highly flame-retardant upholstery (FMVSS 302)
- FIA approval for 5 years
- Suitable for 4-, 5-, 6-point belt (racing use)
- Seat shell glass fiber reinforced polymer (GFRP)
- Flexible sidemount (fore-aft adjustment for preferred sitting positions)
- Competition Seat (FIA 8855-1999)
- Suitable to work with head and neck safety systems
- The XL version is 1.4 inches wider and 2.0 inches higher than the standard size

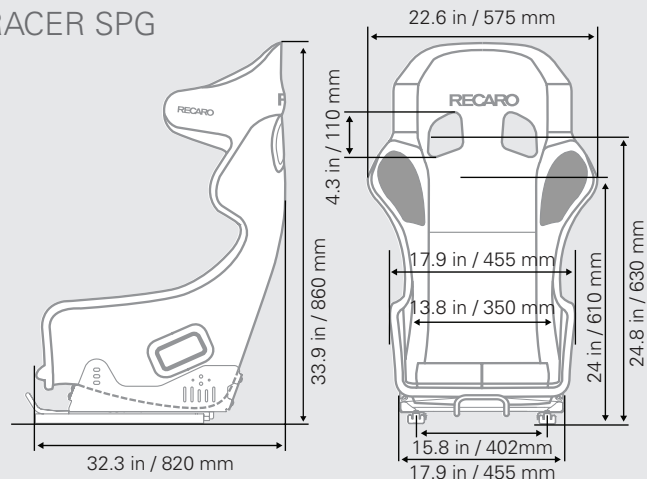
## SPECIFICATIONS

	Pro Racer SPG	Pro Racer SPG XL
<b>Weight</b>	19.8 lbs / 9.0 kg	22 lbs / 10 kg
<b>Max Height</b>	33.8 in / 860 mm	36 in / 915 mm
<b>Max Length</b>	32.3 in / 820 mm	32.3 in / 820 mm

*Weight noted does not include mounting hardware*

- All mounting hardware sold separately
- Mounting hardware varies based on the vehicle the seat will be installed
- Check with your dealer / installer for fitment and necessary mounting hardware for your vehicle application

## PRO RACER SPG



*Dimensions do not include mounting hardware*

## COMPETITION SEATS

### OVERVIEW OF SEAT OPTIONS

- Standard features, ○ Option/accessories



**RECARO  
Pro Racer  
SPG, SPG XL**



**RECARO  
Pro Racer  
SPG XL ORV**



**RECARO  
Profi  
SPG**



**RECARO  
Pole Position  
N.G. (FIA)**



**RECARO  
Pole Position  
(ABE)**

	RECARO Pro Racer SPG, SPG XL	RECARO Pro Racer SPG XL ORV	RECARO Profi SPG	RECARO Pole Position N.G. (FIA)	RECARO Pole Position (ABE)	
USE	For GT vehicles/sports cars	●		●	●	
	For touring vehicles	●		●	●	
	For rally vehicles	●	●	●	●	
COMFORT	Anatomical seat contour	●		●	●	
	Passive Seat Air Conditioning					
	Paddable lumbar support			●	●	
	High seat cushion	●	○			
	Seat in XL version	○	●	○		
	Flexible sidemount (fore-aft adjustment for preferred sitting positions)	○				
	Fixed steel sidemount	○	○	○	●	○
LIGHTWEIGHT	Seat shell made of carbon (CFRP)				○	
	Seat shell made from carbon and aramid composite (CFRP/AFRP)	●				
	Seat shell glass fiber reinforced polymer (GFRP)	●	●		●	○
	Weight: complete shell (incl. foam and upholstery, without sidemount)	SPG: ~9.0 kg SPG XL: ~10.0 kg	~8.9 kg	~7.0 kg	~7.7 kg	~7.0 kg (GFRP)
	Fixed aluminum sidemounts	○	○	○	○	○
SAFETY	Competition Seat (FIA 8855-1999)	●	●	●	●	
	Suitable for 4-, 5- or 6-point belts	●	●	●	●	●
	Suitable for head & neck restraint systems	●	●	●	●	●
	Shock-absorbent foam	●	●	●	●	
	Highly flame-retardant upholstery (ISO 3795)					●
	Highly flame-retardant upholstery (FMVSS 302)	●	●	●	●	
FIA approval for 5 years	●	●	●	●		