

RECARO PROFI SPG / SPG XL



UPHOLSTERY OPTIONS



Profi SPG Velour Black
070.91.UU11-01



Profi SPG XL Velour Black
070.86.UU11-01

ACCESSORIES



Steel sidemount
360942



Aluminum sidemount
7207000ANA

SPECIFICATIONS

	Weight	Max Height	Max Length
Profi SPG	15.4 lbs / 7.0 kg	32.6 in / 830 mm	31.1 in / 790 mm
Profi SPG XL	22 lbs / 10.0 kg	34.6 in / 880 mm	34.6 in / 880 mm

Weight noted does not include mounting hardware

PREMIUM HOLD

All race drivers want to win. That's the goal. And winning starts with how you fit in the car and relate ergonomically to its controls. Our Profi SPG seat provides optimal body support during high g-forces, keeping you firmly in the right place to do your job. It also provides great long-term driver comfort, and the combination gives you a competitive edge in driving performance.

The Profi SPG's ergonomic S-shaped fiberglass shell fits the natural curve of your spine, providing "built-in" structured lumbar support that protects against spinal compression in high-impact accidents.

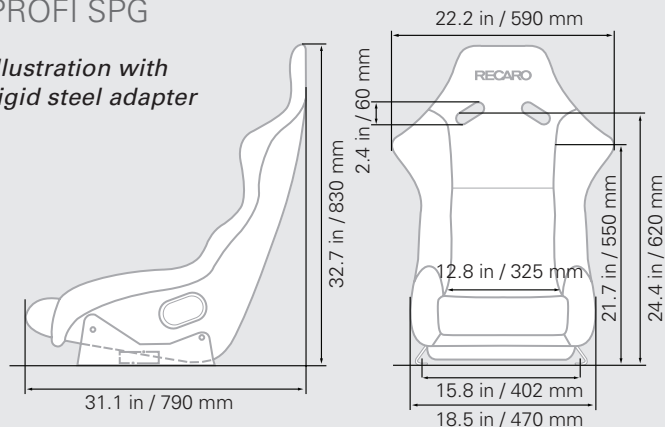
FEATURES AND ATTRIBUTES

- FIA certified and crash tested
- RECARO proprietary ergonomics: S-shaped shell with "built-in" lumbar support
- RECARO high-integrity fiberglass comfort shell
- Aggressive thigh and torso bolstering
- Lumbar cushions
- Shock-absorbing foam
- RECARO friction grip at shoulders
- Screw-mounted panels at belt slots
- Flame-retardant upholstery
- High-quality, durable foam
- Suitable for 4, 5, or 6-point harnesses



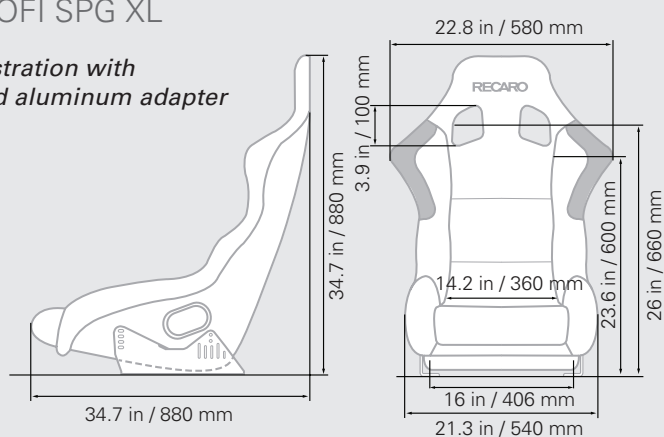
PROFI SPG

Illustration with rigid steel adapter



PROFI SPG XL

Illustration with rigid aluminum adapter



Dimensions do not include mounting hardware

COMPETITION SEATS

OVERVIEW OF SEAT OPTIONS

● Standard features, ○ Option/accessories



**RECARO
Pro Racer
SPG, SPG XL**



**RECARO
Pro Racer
SPG XL ORV**



**RECARO
Profi
SPG, SPG XL**



**RECARO
Pole Position
N.A. (FIA)**



**RECARO
Pole Position
(ABE)**

		RECARO Pro Racer SPG, SPG XL	RECARO Pro Racer SPG XL ORV	RECARO Profi SPG, SPG XL	RECARO Pole Position N.A. (FIA)	RECARO Pole Position (ABE)
USE	For GT vehicles/sports cars	●			●	●
	For touring vehicles	●			●	●
	For rally vehicles	●	●	●		●
COMFORT	Anatomical seat contour	●		●	●	●
	Passive Seat Air Conditioning					
	Paddable lumbar support			●	●	●
	High seat cushion	●	○			
	Seat in XL version	○	●	○		
	Flexible sidemount (fore-aft adjustment for preferred sitting positions)	○				
	Fixed steel sidemount	○	○	○	●	○
LIGHTWEIGHT	Seat shell made of carbon (CFRP)					
	Seat shell made from carbon and aramid composite (CFRP/AFRP)	●				
	Seat shell glass fiber reinforced polymer (GFRP)	●	●		●	●
	Weight: complete shell (incl. foam and upholstery, without sidemount)	SPG: ~9.0 kg SPG XL: ~10.0 kg	~8.9 kg	SPG: ~7.0 kg SPG XL: ~10.0 kg	~7.7 kg	~7.0 kg
	Fixed aluminum sidemounts	○	○	○	○	○
SAFETY	Competition Seat (FIA 8855-1999)	●	●	●	●	
	Suitable for 4-, 5- or 6-point belts	●	●	●	●	●
	Suitable for HANS systems	●	●	●	●	●
	Shock-absorbent foam	●	●	●	●	
	Highly flame-retardant upholstery (ISO 3795)					●
	Highly flame-retardant upholstery (FMVSS 302)	●	●	●	●	
FIA approval for 5 years	●	●	●	●		