

RECARO SPECIALIST S, M



UPHOLSTERY OPTIONS



Black Nardo

M: LXW.00.000.NN11
S: LXF00.000.NN11



Black Nardo / Artista

M: LXW.00.000.NR11
S: LXF00.000.NR11



Grey Nardo / Artista

M: LXW.00.000.NR55
S: LXF00.000.NR55



Black Leather / Artista

M: LXW.00.000.LR11
S: LXF00.000.LR11



Grey Leather / Artista

M: LXW.00.000.LR55
S: LXF00.000.LR55



Black Leather

M: LXW.00.000.LL11
S: LXF00.000.LL11



Medium Grey Leather

M: LXW.00.000.LL55
S: LXF00.000.LL55

More options available

EYE-CATCHING DESIGN

With RECARO Specialist seats in your car, you achieve a distinctive and stylish interior look, and also greatly enhance comfort and performance compared with standard automotive seats. They provide world renowned RECARO ergonomics, hold you comfortably in place during spirited driving, and are hand made by meticulous RECARO Automotive craftsmen who deliver unmatched quality.

FEATURES AND ATTRIBUTES

- RECARO proprietary ergonomics: S-shaped backrest designed to align the spinal column in its most natural and healthy position
- RECARO's proprietary integrated lumbar support technology provides superior comfort and support
- RECARO's proprietary pronounced side support at thigh, body and shoulder area to fix the driver's body in a safe position
- Backrest is easily adjustable with a manual dial
- Seat back tilt-forward release and recline adjustment on both sides – same seat works for driver and front passenger sides
- The headrest can be adjusted to comfortably support your head and neck – up, down, and forward tilting
- Optional covered or black molded foam armrests

SPECIFICATIONS

Weight: 35 lbs / 16 kg

Max height: 32.7 inches / 830 mm

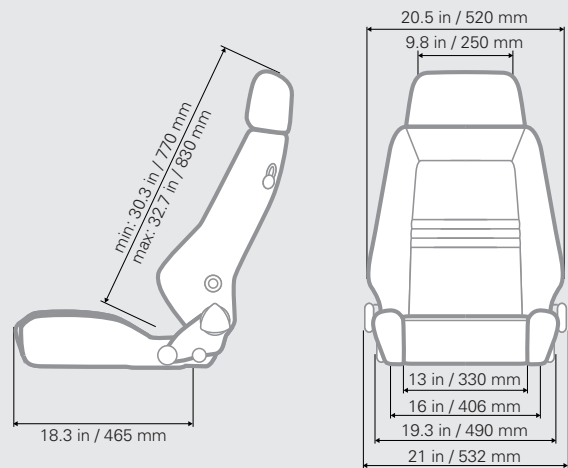
Max seat cushion depth: 18.5 inches / 465 mm

Max seat cushion width: 19.5 inches / 490 mm

- All mounting hardware sold separately
- Mounting hardware varies based on the vehicle the seat will be installed
- Check with your dealer / installer for fitment and necessary mounting hardware for your vehicle application
- Optional manually adjustable lumbar available

SPECIALIST M MODEL DIFFERENCES:

- Manually adjustable thigh extension to change the seat cushion length to suit your legs
- Flat seat cushion



Dimensions do not include mounting hardware

PREMIUM COMFORT

OVERVIEW OF SEAT OPTIONS

- Standard features, ○ Option/accessories



RECARO Ergomed ES



RECARO Orthopad



RECARO Expert S, M



RECARO Expert Pepita



RECARO Specialist S, M

	RECARO Ergomed ES	RECARO Orthopad	RECARO Expert S, M	RECARO Expert Pepita	RECARO Specialist S, M	
TAILORED COMFORT	Lumbar support	●	●	● Paddable	● Paddable	● Paddable
	Extendable seat cushion	●	●	● M	●	● M
	Adjustable side bolsters, seat cushion	● Electric				
	Adjustable side bolsters, backrest	● Electric	● Electric	●	●	
	Height adjustment, electric	●				
	Tilt adjustment, electric	●				
	Backrest adjustment, manual			●	●	●
	Backrest adjustment, electric	●	●			
	Adjustable headrest	●	●	●	●	●
	Climate package (heating and cooling)	●	●			
	Easy Access		●	● M	●	● M
	Selection of modular seat cushions			●	●	●
Backrest release on both sides	●	●	●	●	●	
MATERIALS	Highly fire-resistant upholstery	●	●	●	●	●
	Suitable for 3-, 4-point belt (street use)	●	●	●	●	●
PERFORMANCE	Special lateral support in the backrest area	●	●	●	●	●