

RECARO SPORT C

The first model in RECARO's new generation of sports seats: Where man meets machine, it gives you instant feedback. With a low center of gravity, firm, compact upholstery, and the necessary freedom of movement for the arms, the RECARO Sport C helps you keep control on corners and truly enjoy the experience of driving. And with RECARO's hallmark ultra-slim backrest contour – designed with both aesthetics and comfort in mind – passengers in the back seat will relish all the extra legroom. With a whole range of electric adjustment options, premium car owners can totally indulge in their new seats.

FEATURES AND ATTRIBUTES

- All-electric 8-way adjustment*: backrest, fore-and-aft adjustment, seat height, seat angle
- Easy-to-operate switch pack
- Ultra-slim design
- Very low hip point**
- Fully upholstered headrest as standard
- Sporty side bolsters in backrest and on seat bottom
- Belt slots for 4-point belt
- Also suitable for use with a 3-point belt
- Specially formed shoulder support
- Extendable seat cushion
- Lumbar support (4-way)
- Lightweight: only approx. 24 kg per seat
- Innovative structure for maximum safety

OPTIONS (AT ADDITIONAL COST)

- 2-level seat heating
- Backrest release (for 2/3 door cars)
- Additional seat cover options
- Side airbag (available from summer 2023)



UPHOLSTERY OPTIONS



White leather/black
Dinamica suede
MSRP: TBD



Black leather/black
Dinamica suede
MSRP: TBD

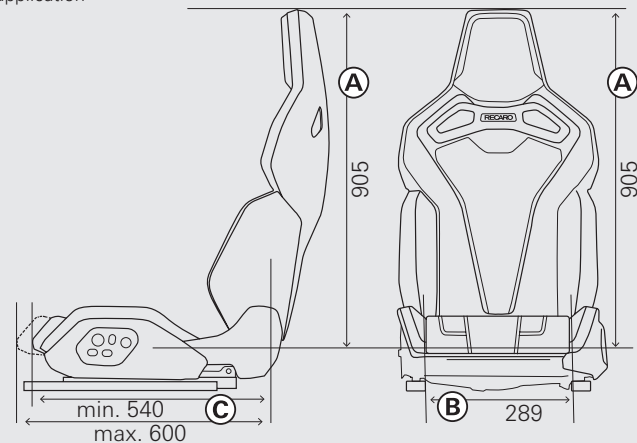
ACCESSORIES



Vehicle-specific
baseframe
MSRP: TBD

SPECIFICATIONS

- All mounting hardware sold separately
- Mounting hardware varies based on the vehicle the seat will be installed
- Check with your dealer / installer for fitment and necessary mounting hardware for your vehicle application



Dimensions do not include mounting hardware