

## RECARO SPORTSTER GT



### UPHOLSTERY OPTIONS



**Nardo Black /  
Silver logo**  
410.1GT.3163



**Vinyl Black /  
Red Suede**  
410.1GT.3164



**Vinyl Black /  
Blue Suede**  
410.1GT.3165



**Vinyl Black /  
Cloud Grey Suede**  
410.1GT.3166



**Leather Black /  
Carbon Weave**  
410.1GT.3167

### ACCESSORIES



**Sportster GT / CS  
Slider Track Kit,  
Inside Bar, No Tabs**  
7227671

### ELEGANCE WITH PERFORMANCE

Our Sportster GT seat is based on our racing-inspired Sportster CS model, with unique design features and fabrics that will complement the styling of high-end sports cars and sports sedans. It combines the features of a sports seat and the lightweight shell of a racing seat. The innovative, reinforced polymer-based backrest provides good comfort along with optimum body support with its pronounced side bolsters and excellent shoulder support. After a long drive your body feels relaxed and you feel refreshed. You have been riding in seats with comfort and ergonomic qualities that are reminiscent of the world's top sport-luxury automobiles.

### FEATURES AND ATTRIBUTES

- Exclusive, sporty seat design, feel and performance
- RECARO's proprietary integrated lumbar support technology provides superior comfort and support.
- RECARO's proprietary pronounced side support at thigh, thorax and shoulder area to fix the driver's body in a safe position.
- Metal seat base with reinforced polymer backrest
- Shoulder, back and thigh bolsters designed to hold you in a correct seating position for high performance driving
- Backrest easily adjustable with a manual dial for millimeter precision
- Ultra-thin backrest provides superior ergonomics, unique styling, interior space savings, and lighter weight
- Ingenious integrated side-mounts provide easy attachment to other vehicle installation hardware
- Flame-retardant materials

## SPECIFICATIONS

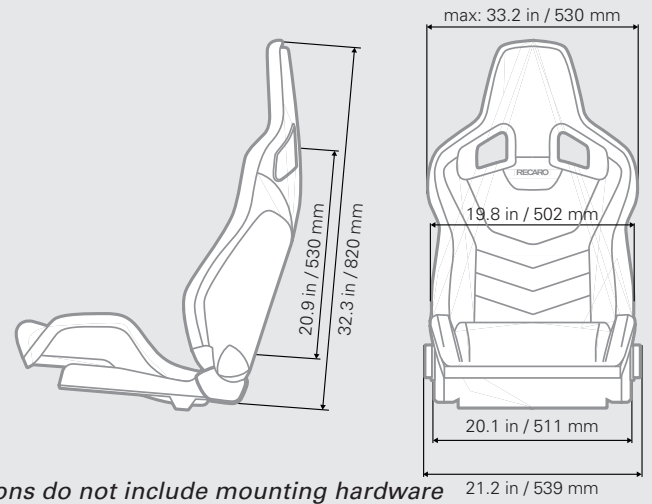
**Weight: 33 lbs / 15 kg**

**Max height: 36.2 inches / 918 mm**

**Max seat cushion depth: 19 inches / 483 mm**

**Max seat cushion width: 21.3 inches / 539 mm**

- All mounting hardware sold separately
- Mounting hardware varies based on the vehicle the seat will be installed
- Check with your dealer / installer for fitment and necessary mounting hardware for your vehicle application



Dimensions do not include mounting hardware

## DYNAMIC SEATS

### OVERVIEW OF SEAT OPTIONS

- Standard features, ○ Option/accessories



**RECARO Speed**



**RECARO Speed V**



**RECARO Cross Sportster ORV**



**RECARO Cross Sportster CS**



**RECARO Sportster CS**



**RECARO Sportster GT**

	RECARO Speed	RECARO Speed V	RECARO Cross Sportster ORV	RECARO Cross Sportster CS	RECARO Sportster CS	RECARO Sportster GT
TAILORED COMFORT	Lumbar support	● Paddable	● Paddable	●	●	●
	Tilt adjustment, manual	●				●
	Seat heating				○	○
	Easy Access			●	●	
	Backrest release on both sides	●	●			
MATERIALS	Highly fire-resistant upholstery	●	●	●	●	●
	Composite materials	●	●	●	●	
SPORTY PERFORMANCE	Integrated headrest	●	●	●	●	●
	Seat for off-road vehicles			●		
	Suitable for 3-, 4-point belts	●	●	●	●	●
	Optional slot for 5-, 6-point harness	○	○	●		○
	Special lateral support in the backrest area	●	●	●	●	●
	Special lateral support in the seat cushion area	●	●	●	●	●
	Specially formed shoulder support	●	●	●	●	●
	Dynamic ride performance	●	●	●	●	●
Slim design			●	●	●	