

RECARO

THE NEW ORIGINAL

World-class premium performance: the RECARO Sport C



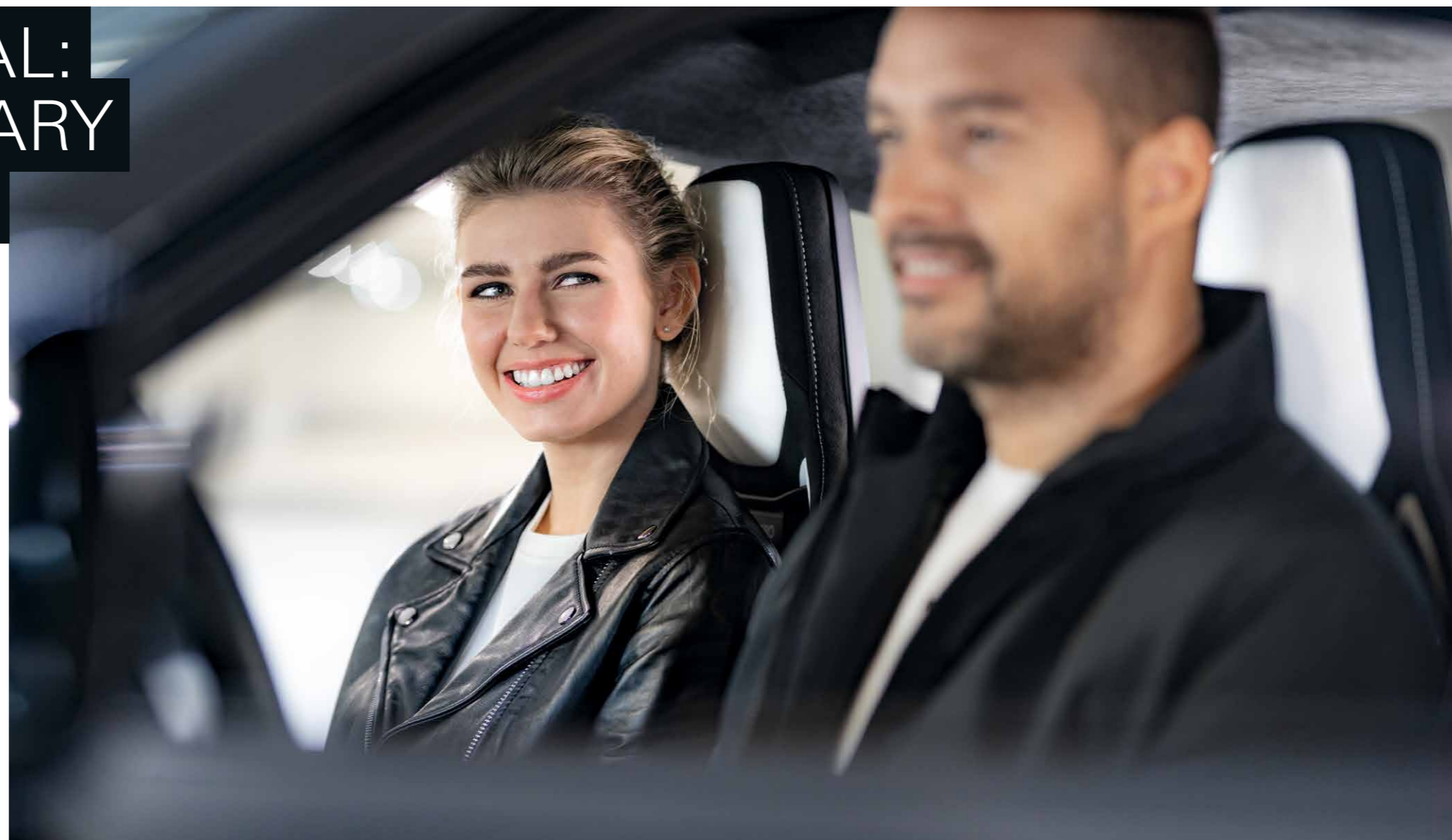
RECARO

If you sit well

you drive better

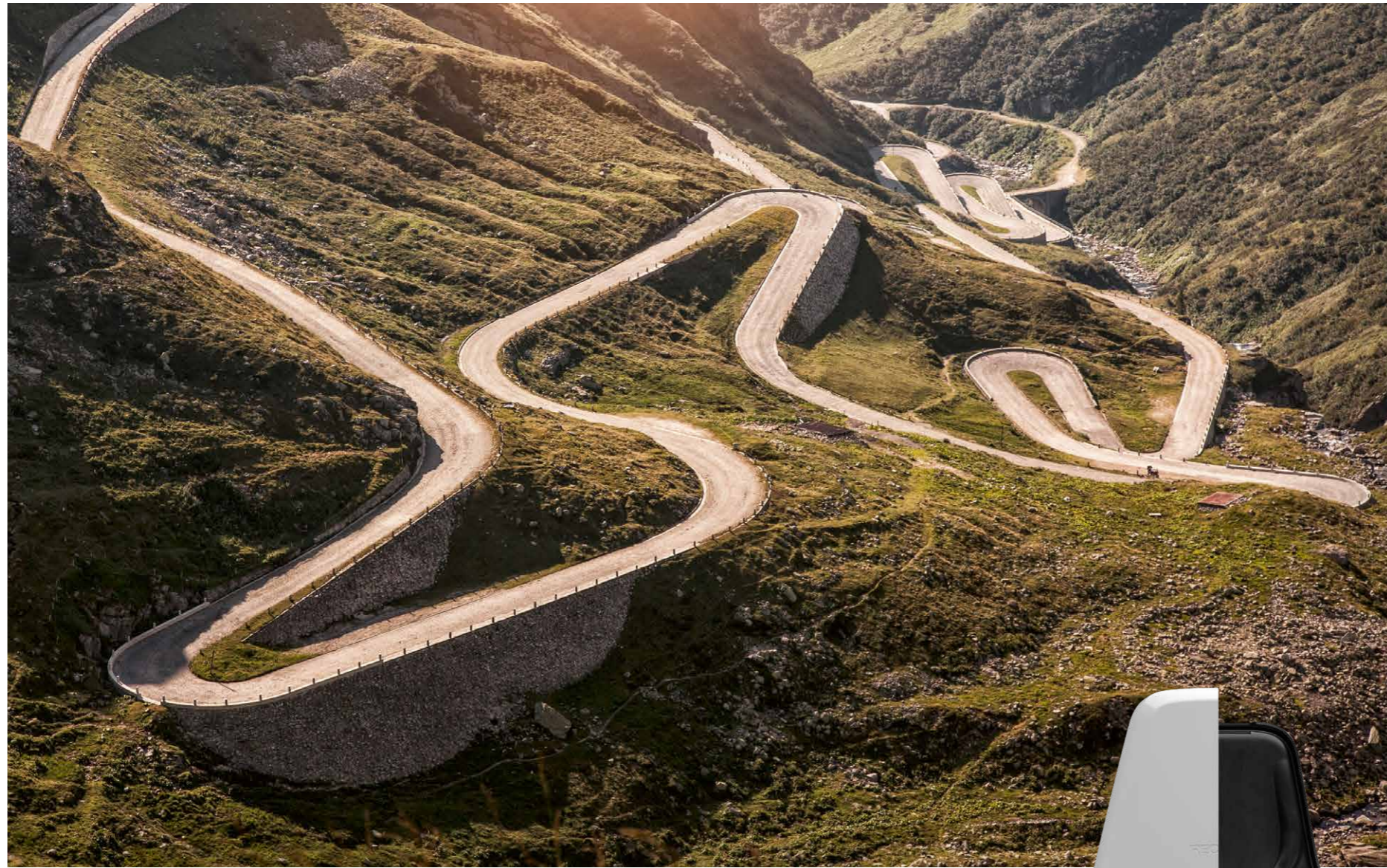


THE NEW ORIGINAL: THE REVOLUTIONARY RECARO SPORT C.



The first model in RECARO's new generation of sports seats: the first all-electric 8-way aftermarket sports seat. The new RECARO Sport C embodies everything about the RECARO brand: performance, quality, innovation, safety and comfort. And our passion for sporty cars and outstanding craftsmanship. The result is a unique sports seat designed for a very special driving experience. Its pioneering design, combined with all-electric adjustments and superior body support, will wow car enthusiasts while also delivering premium performance the like of which the aftermarket has never seen. The one and only new RECARO Sport C.





PEAK BODY SUPPORT PERFORMANCE.

Body Support. The driver's seat plays a key role in this, especially if the driving style is sports focused. The better your sitting position, the sharper your reactions and the more fully you have the vehicle under control. With a snug, supportive structure and side bolsters for excellent shoulder and torso support, the RECARO Sport C stabilizes the body in any driving situation. Feel different, drive different!



Peak performance. The RECARO Sport C fits like a glove. And it feels like sitting IN the seat and not ON it. Where man meets machine, it gives you instant feedback. With a low center of gravity, firm, compact upholstery, and the necessary freedom of movement for the arms, the RECARO Sport C helps you keep control on corners and truly enjoy the experience of driving. And with RECARO's hallmark ultra-slim backrest contour – designed with both aesthetics and comfort in mind – passengers in the back seat will relish all the extra legroom. With a whole range of electric adjustment options, premium car owners can totally indulge in their new seats.



SIT BACK
AND ENJOY.



RECARO SPORT C.

Standard features

- + All-electric 8-way adjustment*: backrest, fore-and-aft adjustment, seat height, seat angle
- + Easy-to-operate switch pack
- + Ultra-slim design
- + Very low hip point**
- + Fully upholstered headrest as standard
- + Sporty side bolsters in backrest and on seat bottom
- + Belt slots for 4-point belt
- + Also suitable for use with a 3-point belt
- + Specially formed shoulder support
- + Extendable seat cushion
- + Lumbar support (4-way)
- + Lightweight: only approx. 24 kg per seat
- + Innovative structure for maximum safety

Options (at additional cost)

- + 2-level seat heating
- + Backrest release (for 2/3 door cars), (in development)
- + Additional seat cover options (see page 17)
- + Side airbag, (in development)

Accessories (at additional cost)

- + Vehicle-specific baseframe

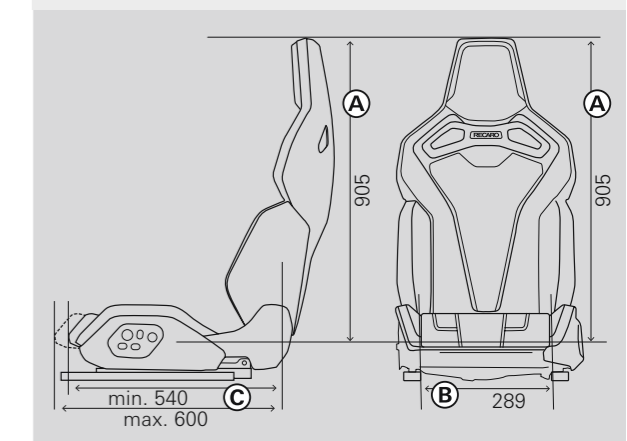


Vehicle-specific baseframe

- * **All-electric 8-way adjustment:**
 - Backrest: adjustable 15° forwards, 45° backwards
 - Fore-and-aft adjustment: 240 mm
 - Height adjustment: 60 mm
 - Tilt adjustment: 6°
- ** Hip point: 155 mm

Outstanding ergonomics. Being behind the wheel forces you to sit passively – one of the worst possible positions for your body. Depending on the route, driving style and road surface, factors like centrifugal force, deceleration and vibrations come into play. With a range of smart comfort features and perfect seat contours that support your body, we make every journey an experience to savor.

Comfort measurements



A: Seat height | **B:** Seat width | **C:** Seat depth
Dimensions in mm, all dimensions +/- 10 mm

THE RECARO SPORT C. THE FUTURE STARTS TODAY.



A pioneering concept

The RECARO Sport C is built for the future. With a combination of innovative materials and intelligent lightweight engineering that separates design from the safety structure, it reduces CO₂ emissions and is also highly adaptable to new vehicle concepts. And with its low hip point, the Sport C doesn't impinge on battery installation space, which makes it the ideal retrofit seat for electric vehicles!



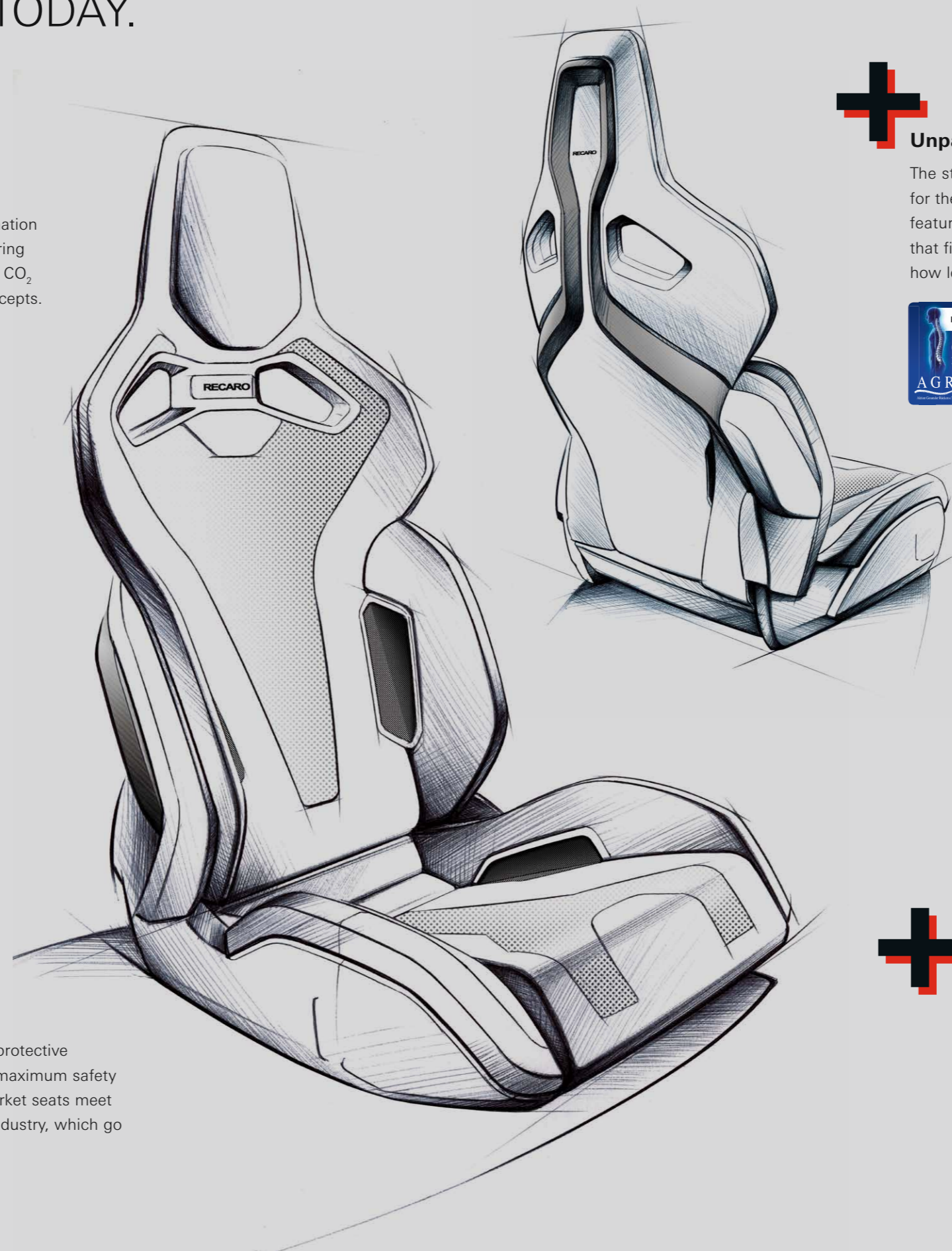
Performance & Body Support

From the moment you see it, you know the RECARO Sport C is a thoroughbred sports seat that lives up to its name. It helps you keep control on corners and truly enjoy the experience of driving. And with strong, all-round body support, it guarantees optimum hold on even the fastest roads. World-class premium performance.



Uncompromising safety

Invisible, but always there when you need it. The protective structure inside the RECARO Sport C guarantees maximum safety in your vehicle. As with an OEM seat, our aftermarket seats meet the exacting safety standards of the automotive industry, which go far beyond obligatory requirements.



Unparalleled ergonomics

The structure of the RECARO Sport C is specially designed for the human spine, but that's just one of its unique ergonomic features. With firm upholstery and body-hugging contours that fit like a glove, it makes driving more enjoyable no matter how long the journey.



AGR: Approved and recommended by Healthier Backs Association (Aktion Gesunder Rücken e.V.) and the Federal Association of German Back Schools (BdR) e. V. For more information, contact: AGR e. V., Stader Str. 6, 27432 Bremervörde, Germany, Phone +49 4761 926 358 0, www.agr-ev.de/en/back-friendly-products/back-friendly-products/4853-car-racing-shells



Innovative design

The RECARO Sport C's innovative slim design is a real highlight. For one thing, it looks amazing! And the ultra-slim yet highly stable seat shape ensures that passengers in the back seat enjoy much more legroom. What's more, the low seat height improves drive performance. Drivers with a larger build can find a comfortable seating position.



Individually adjustable

The aftermarket has never seen anything quite like this. The RECARO Sport C is the first genuine sports seat with a huge list of electric adjustment options. Its intuitively controlled 8-way settings allow the driver to electrically adjust the backrest, seat length, seat height and seat tilt to their heart's content. Not to mention comfort features like an extendable seat cushion, lumbar support, and heating.



BY
14-11
BADEN-BADEN
CHONGLI
ENKIRCHEN
KITZBÜHEL
LIMASSOL
NEW-YORK
PRAG
ST.MORITZ
ZELL-AM-SEE
RENDEZ-VOUS
ISTANBUL
LUXEMBOURG
MUSULTAN
SOFIA
TERMIT
ZÜRICH
SECRET

True craftsmanship. True perfection. A great deal of traditional craftsmanship has always gone into our seats. From the delicate seams and seat upholstery to the superb finish, the finely honed skills of our craftspeople shine through. Not even the tiniest detail escapes their expert eye, ensuring that every single feature underlines RECARO's claim to premium status.



CRAFTED TO SUIT YOUR TASTES.

Your RECARO Sport C. As individual as you are. RECARO is the brand for exclusive seats that are tailor-made to suit your personal tastes. Alongside perfect fit, they boast intelligent design that combines the ultimate in functionality, comfort and looks. RECARO seats are available in a wide range of upholstery materials and colors. So you can easily customize your seat according to your own preferences or your vehicle interior.





White leather/black Dinamica suede



Black leather/black Dinamica suede



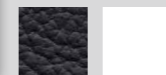
Gray Dinamica suede/decorative rally strips
(in development)



Black leather
(in development)

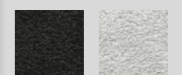


Leather:
RECARO leather is a high-quality, durable, natural product designed for exacting requirements. Sustainably produced in Italy, it is manufactured to the most stringent legal standards.



Dinamica suede:
This exclusive upholstery is highly durable and easy-care with a premium feel.

The material is also breathable, vegan, light, and even hypoallergenic.



REVOLUTIONARY BY TRADITION.



*Our first ads
under a new name.*

In 1965, RECARO unveiled its sports seat at the International Motor Show in Frankfurt, revolutionizing car seating. That revolutionary spirit lives on in the new RECARO Sport C – the first thoroughbred sports seat with all-electric adjustments for maximum comfort.



1965
SPORTS SEAT



1971
IDEALSITZ-LS



1989
RECARO A8



2006
RECARO SPORTSTER CS



FOR TRUE FANS OF THE BRAND: RECARO LIFESTYLE.

You know that feeling you get with RECARO of owning something special? Well you can now experience that feeling beyond your car: With the RECARO Lifestyle Collection, we are bringing our dynamic, high-performance brand directly from the road and the racetrack right into your home!

Visit our online shop for collections and high-quality products to suit every taste:

shop.recaro-automotive.com



RECARO Automotive
Stuttgarter Straße 73
73230 Kirchheim/Teck
Germany

Phone: +49 7021 93-5000

Email: info@recaro-automotive.com
Internet: www.recaro-automotive.com
shop.recaro-automotive.com